



# T&S BRASS AND BRONZE WORKS, INC.

2 Saddleback Cove / P.O. Box 1088  
Travelers Rest, SC 29690



REG. #A2601  
ISO #9001

Model No.

B-0236-CR

Item No.

Travelers Rest, SC: 800-476-4103 Simi Valley, CA: 800-423-0150 Fax: 864-834-3518 www.tsbrass.com

This Space for Architect/Engineer Approval

Job Name \_\_\_\_\_ Date \_\_\_\_\_

Model Specified \_\_\_\_\_ Quantity \_\_\_\_\_

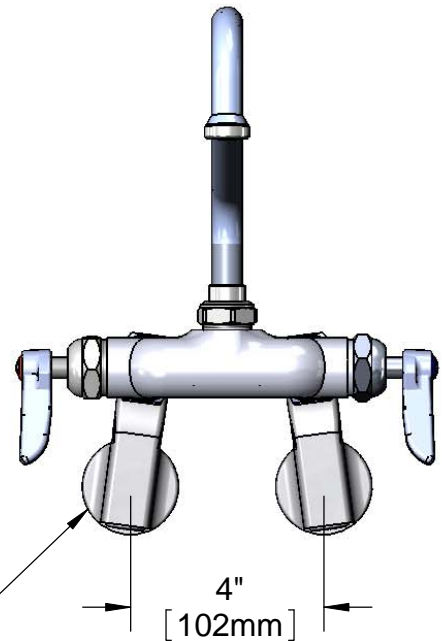
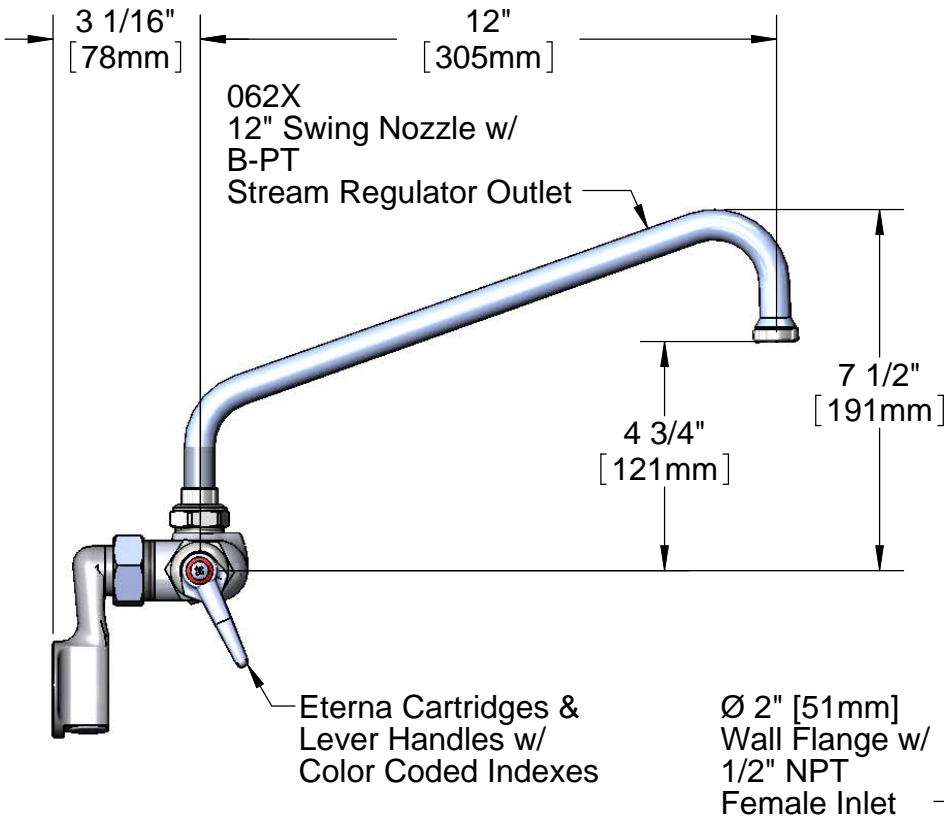
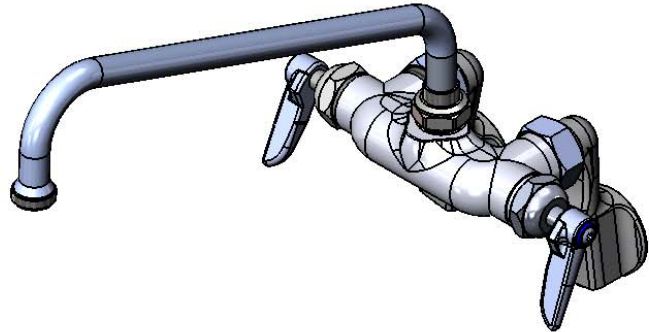
Customer/Wholesaler \_\_\_\_\_

Contractor \_\_\_\_\_

Architect/Engineer \_\_\_\_\_



ADA Compliant



**Note: Rough-In Requirement**  
(2) Ø 1" [25mm] Mounting Holes

Product Specifications:

Combination Sink Faucet w/ Cerama Cartridges, 12" Swing Nozzle  
w/ B-PT Stream Regulator Outlet, Lever Handles & Adjustable Inlets

Drawn  
DHL

Checked  
JRM

Approved  
JHB

Scale:

1:4

Date:

02/17/11



**T&S BRASS AND BRONZE WORKS, INC.**

2 Saddleback Cove / P.O. Box 1088  
Travelers Rest, SC 29690



REG. #A2601  
ISO #9001

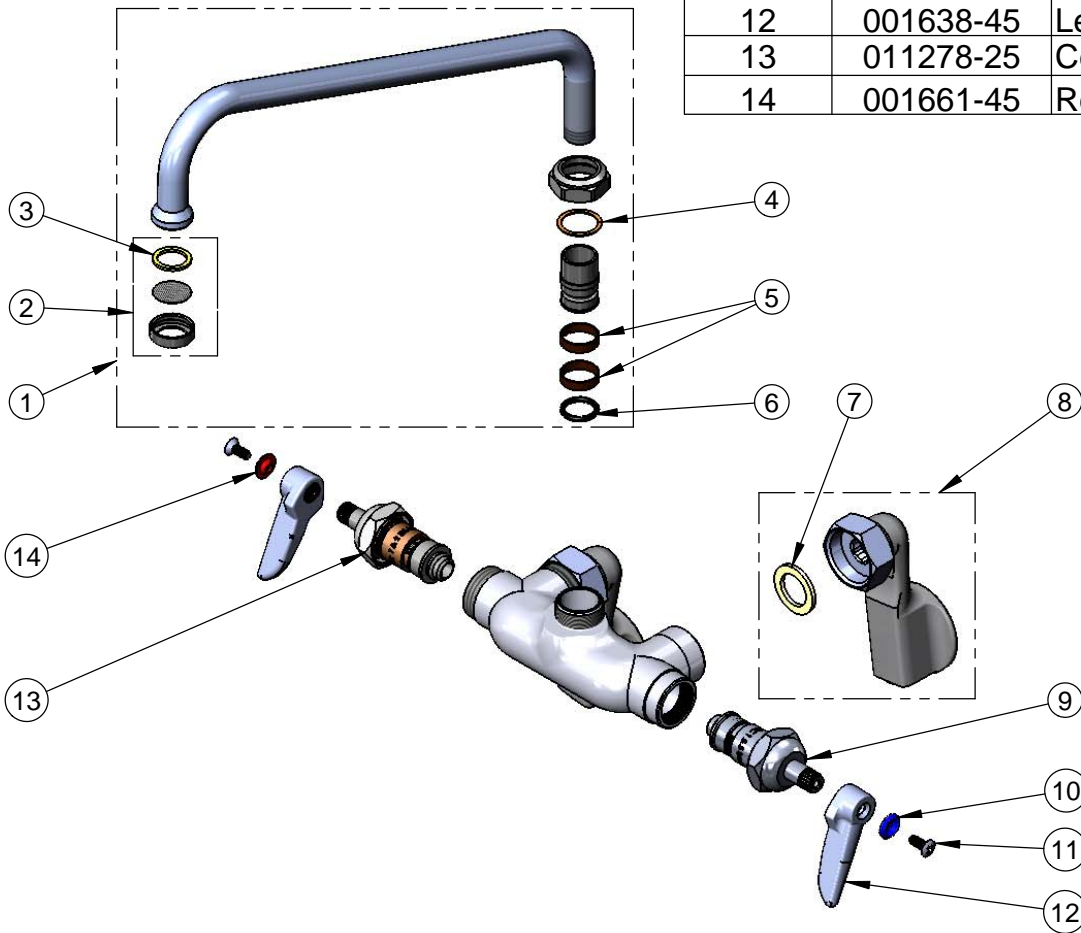
Model No.

**B-0236-CR**

Item No.

Travelers Rest, SC: 800-476-4103 Simi Valley, CA: 800-423-0150 Fax: 864-834-3518 www.tsbrass.com

ITEM NO.	SALES NO.	DESCRIPTION
1	062X	12" Swivel Nozzle Assembly
2	B-PT	Stream Regulator Assembly
3	001048-45	Nozzle Tip Washer
4	009538-45	Swivel Washer
5	011429-45	Swivel Sleeves (2)
6	001074-45	O-Ring
7	001019-45	Coupling Nut Washer
8	00GG	1/2" NPT Female Adjustable Inlet Assembly
9	011279-25	Cerama Cartridge LTC
10	001660-45	Blue Index-CW
11	000922-45	Lever Handle Screw
12	001638-45	Lever Handle
13	011278-25	Cerama Cartridge RTC
14	001661-45	Red Index-HW



Product Specifications:

Combination Sink Faucet w/ Cerama Cartridges, 12" Swing Nozzle w/ B-PT Stream Regulator Outlet, Lever Handles & Adjustable Inlets

Drawn  
DHL

Checked  
JRM

Approved  
JHB

Scale:

NTS

Date:

02/17/11