



T&S BRASS AND BRONZE WORKS, INC.

2 Saddleback Cove / P.O. Box 1088
Travelers Rest, SC 29690

Model No.

B-0270

Item No.

Travelers Rest, SC: 800-476-4103 • Simi Valley, CA: 800-423-0150 • Fax: 864-834-3518 • www.tsbrass.com



ADA Compliant

This Space for Architect/Engineer Approval

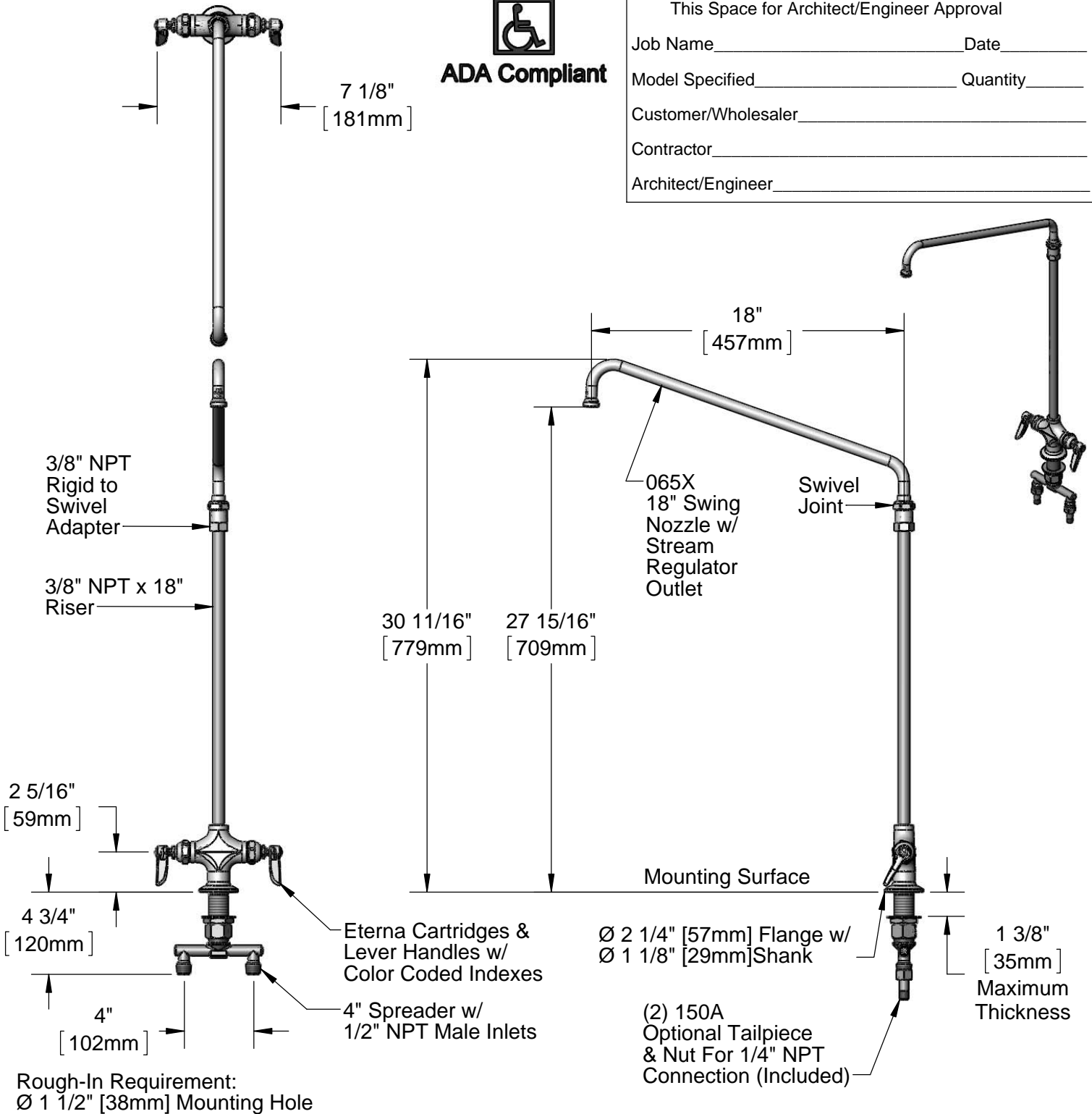
Job Name _____ Date _____

Model Specified _____ Quantity _____

Customer/Wholesaler _____

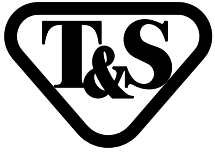
Contractor _____

Architect/Engineer _____



Product Specifications:
Single Hole Deck Mount Mixing Faucet, Eterna Cartridges, Lever Handles, Elevated 18" Swing Nozzle w/ Rigid to Swivel Adapter & 4" Spreader w/ 1/2" NPT Male Inlets

Drawn DHL	Checked DMH	Approved JHB
Scale: 1:8		Date: 11/02/12



T&S BRASS AND BRONZE WORKS, INC.

2 Saddleback Cove / P.O. Box 1088

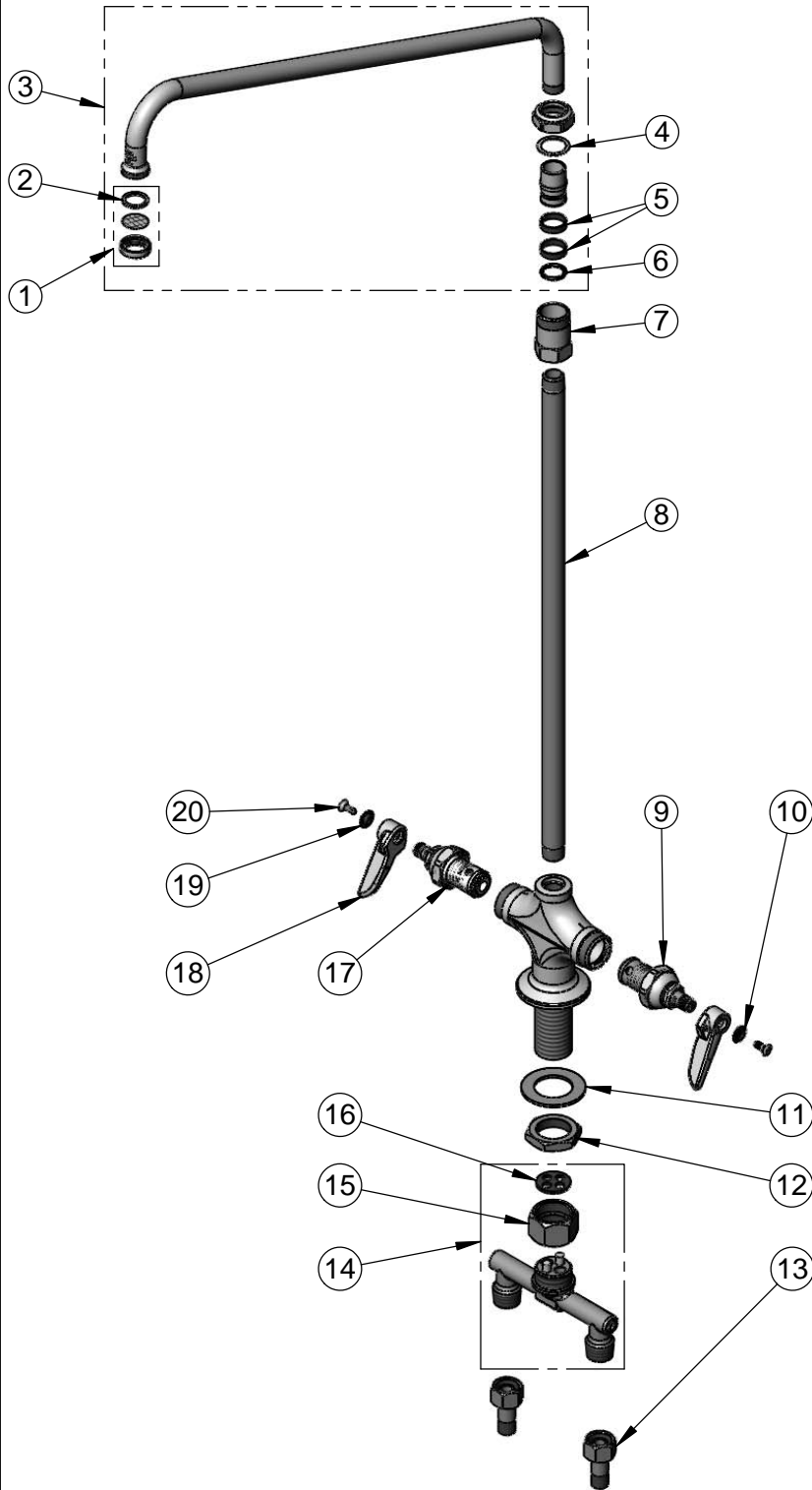
Travelers Rest, SC 29690

Model No.

B-0270

Item No.

Travelers Rest, SC: 800-476-4103 • Simi Valley, CA: 800-423-0150 • Fax: 864-834-3518 • www.tsbrass.com



ITEM NO.	SALES NO.	DESCRIPTION
1	B-PT	Stream Regulator
2	001048-45	Nozzle Tip Washer
3	065X	18" Swing Nozzle w/ Stream Regulator
4	009538-45	Swivel Washer
5	011429-45	Swivel Sleeves (2)
6	001074-45	O-Ring
7	054X	Swivel Body
8	000369-40	Nipple, 3/8" NPT x 18"
9	005959-40	Eterna Cartridge, LTC
10	001660-45	Blue Index-CW
11	002290-45	Lock Washer
12	000965-45	Lock Nut
13	150A	Bag of (1) Tailpiece & (1) Nut
14	002898-40	4" Spreader Unit
15	000736-20	Spreader Coupler Nut
16	001041-45	Spreader Washer
17	005960-40	Eterna Cartridge, RTC
18	001638-45	Lever Handle
19	001661-45	Red Index-HW
20	000922-45	Lever Handle Screw
21	009536-25	Swivel Nut

Product Specifications:

Single Hole Deck Mount Mixing Faucet, Eterna Cartridges, Lever Handles, Elevated 18" Swing Nozzle w/ Rigid to Swivel Adapter & 4" Spreader w/ 1/2" NPT Male Inlets

Drawn

DHL

Checked

DMH

Approved

JHB

Scale:

NTS

Date:

11/02/12