



T&S BRASS AND BRONZE WORKS, INC.

2 Saddleback Cove / P.O. Box 1088
Travelers Rest, SC 29690



REG. #A2601
ISO #9001

Model No.

B-0290-04

Item No.

Travelers Rest, SC: 800-476-4103 • Simi Valley, CA: 800-423-0150 • Fax: 864-834-3518 • www.tsbrass.com

This Space for Architect/Engineer Approval

Job Name _____ Date _____

Model Specified _____ Quantity _____

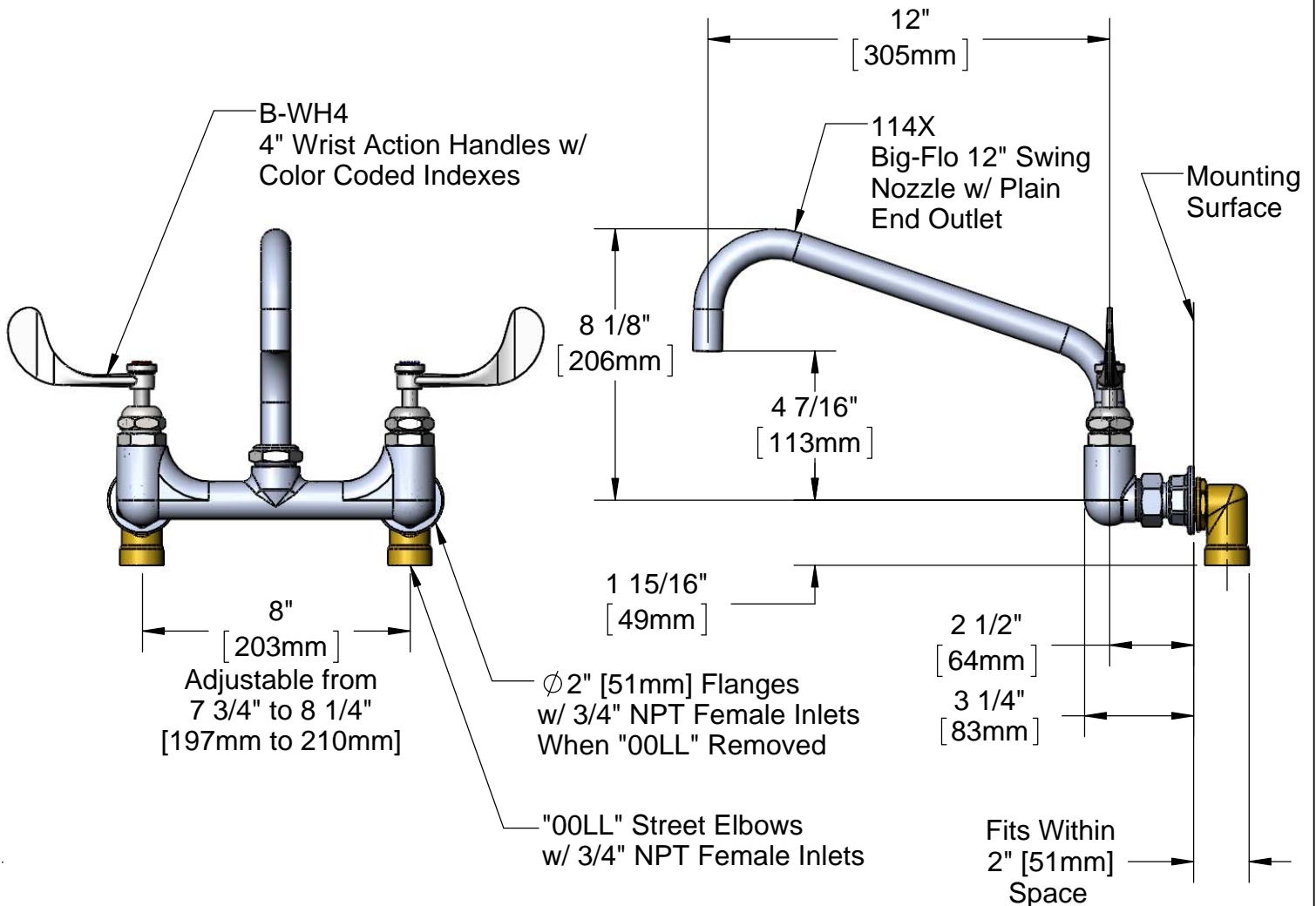
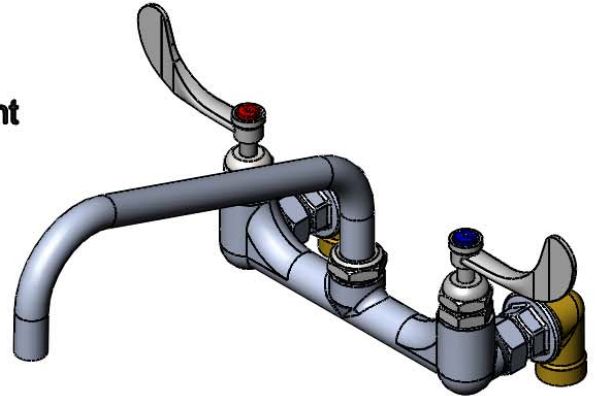
Customer/Wholesaler _____

Contractor _____

Architect/Engineer _____



ADA Compliant



Product Specifications:

Kettle & Pot Sink Mixing Faucet w/ Big-Flo 12" Swing Nozzle,
4" Wrist Action Handles w/ Color Coded Indexes &
"00LL" Street Elbows (3/4")

Drawn

DHL

Checked

DMH

Approved

JHB

Scale:

1:5

Date:

07/12/11



T&S BRASS AND BRONZE WORKS, INC.

2 Saddleback Cove / P.O. Box 1088
Travelers Rest, SC 29690



REG. #A2601
ISO #9001

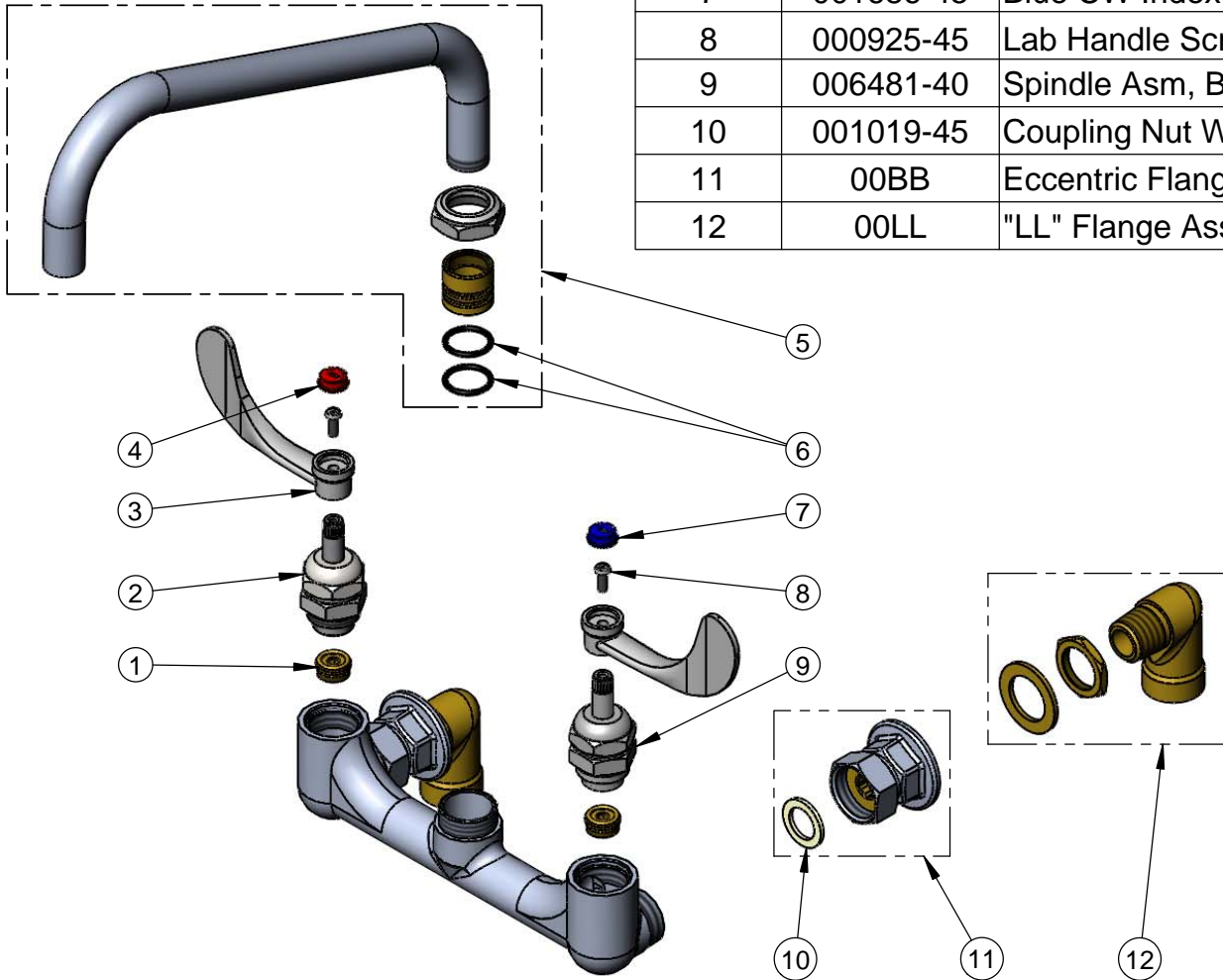
Model No.

B-0290-04

Item No.

Travelers Rest, SC: 800-476-4103 • Simi Valley, CA: 800-423-0150 • Fax: 864-834-3518 • www.tsbrass.com

ITEM NO.	SALES NO.	DESCRIPTION
1	000764-20	Seat, B-290 RM
2	006482-40	Spindle Asm, B-0290 (RTC)
3	B-WH4	4" Wrist Action Handle
4	001194-45	Red HW Index
5	114X	12" Big-Flo Swing Nozzle
6	001068-45	O-ring, Size -118
7	001686-45	Blue CW Index
8	000925-45	Lab Handle Screw
9	006481-40	Spindle Asm, B-0290 (LTC)
10	001019-45	Coupling Nut Washer
11	00BB	Eccentric Flange, 3/4"
12	00LL	"LL" Flange Assembly



Product Specifications:
Kettle & Pot Sink Mixing Faucet w/ Big-Flo 12" Swing Nozzle,
4" Wrist Action Handles w/ Color Coded Indexes &
"00LL" Street Elbows (3/4")

Drawn DHL	Checked DMH	Approved JHB
Scale: NTS		Date: 07/12/11