



T&S BRASS AND BRONZE WORKS, INC.

2 Saddleback Cove / P.O. Box 1088
Travelers Rest, SC 29690



REG. #A2601
ISO #9001

Model No.

B-0290-LN

Item No.

Travelers Rest, SC: 800-476-4103 Simi Valley, CA: 800-423-0150

www.tsbrass.com

This Space for Architect/Engineer Approval

Job Name _____ Date _____

Model Specified _____ Quantity _____

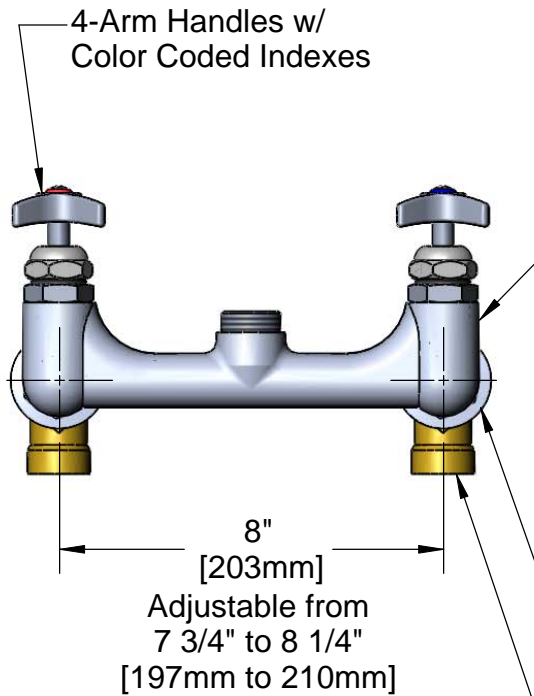
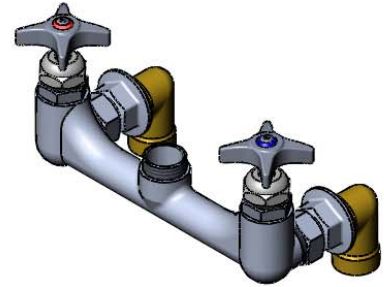
Customer/Wholesaler _____

Contractor _____

Architect/Engineer _____



ADA Compliant

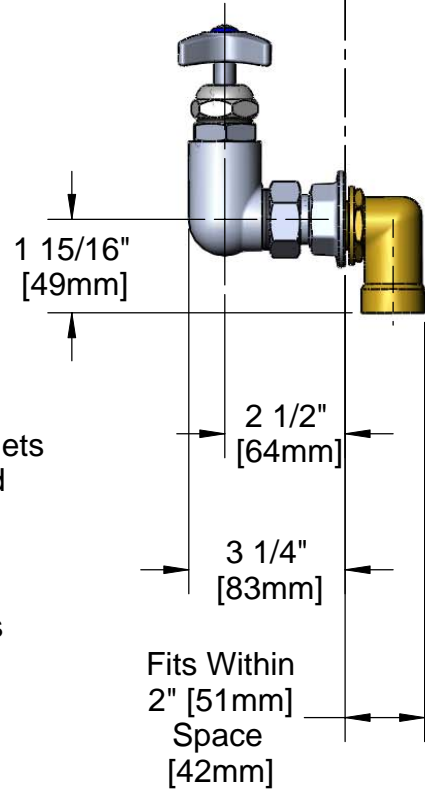


B-0290
Base Faucet

Ø2" [51mm] Flanges
w/ 3/4" NPT Female Inlets
When "00LL" Removed

"00LL"
Street Elbows w/
3/4" NPT Female Inlets

Mounting
Surface



Rough-In: Ø1 1/4" [32mm] Holes in Mounting Surface.

Product Specifications:

Kettle & Pot Sink Mixing Faucet Less Nozzle, 4-Arm Kitchen
Handles, Color Coded Indexes & "00LL" Street Elbows

Drawn

DMH

Checked

DHL

Approved

JHB

Scale:

1:4

Date:

04/02/09



T&S BRASS AND BRONZE WORKS, INC.

2 Saddleback Cove / P.O. Box 1088
Travelers Rest, SC 29690



REG. #A2601
ISO #9001

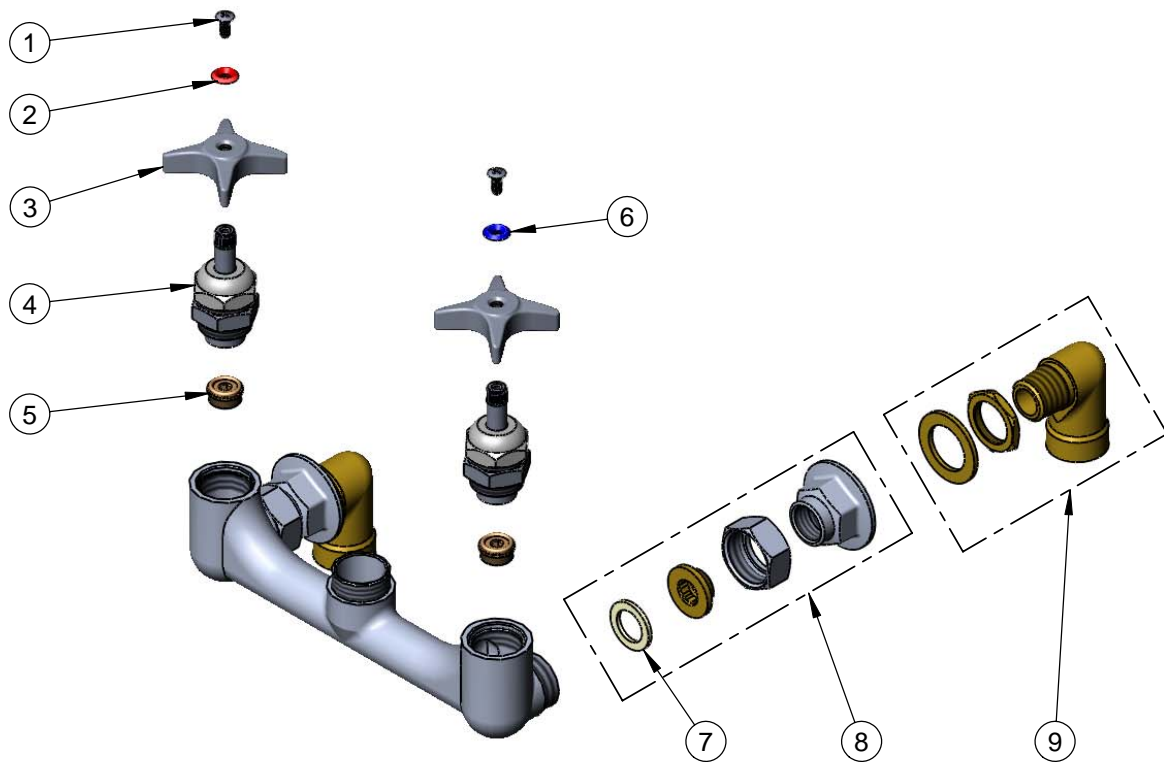
Model No.

B-0290-LN

Item No.

Travelers Rest, SC: 800-476-4103 Simi Valley, CA: 800-423-0150 Fax: 864-834-3518 www.tsbrass.com

ITEM NO.	SALES NO.	DESCRIPTION
1	000922-45	Lever Handle Screw
2	001661-45	Red Index-HW
3	002521-45	4-Arm Handle
4	006482-40	Spindle Asm, B-0290 (RH)
5	000764-20	Seat, B-290 RM
6	001660-45	Blue Index-CW
7	001019-45	Coupling Nut Washer
8	00BB	Flange Assembly
9	00LL	"LL" Flange Assembly



Product Specifications:

Kettle & Pot Sink Mixing Faucet Less Nozzle, 4-Arm Kitchen Handles, Color Coded Indexes & "00LL" Street Elbows

Drawn DMH	Checked DHL	Approved JHB
Scale: 1:4		Date: 04/02/09