



# T&S BRASS AND BRONZE WORKS, INC.

2 Saddleback Cove / P.O. Box 1088  
Travelers Rest, SC 29690



REG. #A2601  
ISO #9001

Model No.

**B-0292**

Item No.

Travelers Rest, SC: 800-476-4103 Simi Valley, CA: 800-423-0150

www.tsbrass.com

This Space for Architect/Engineer Approval

Job Name \_\_\_\_\_ Date \_\_\_\_\_

Model Specified \_\_\_\_\_ Quantity \_\_\_\_\_

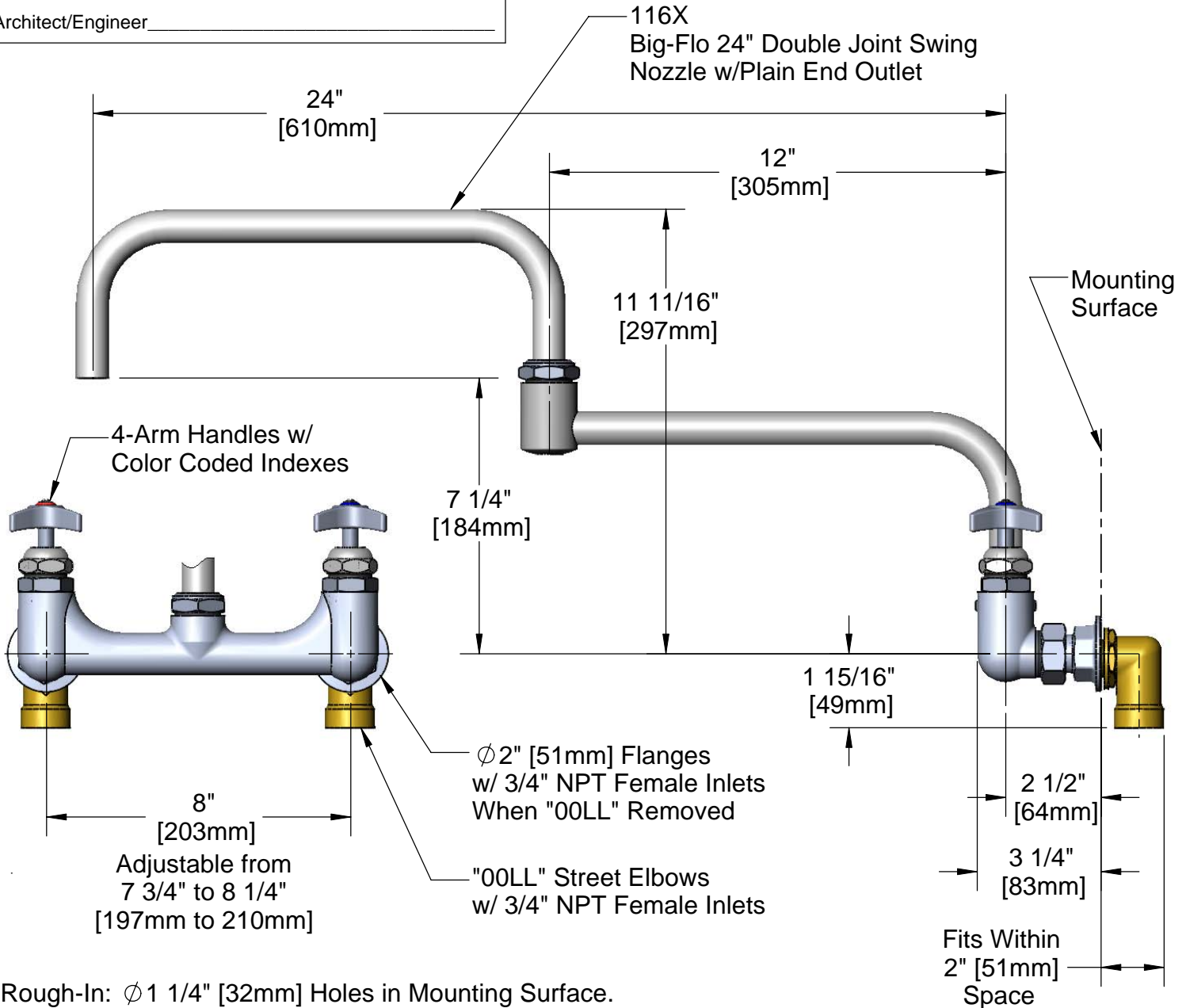
Customer/Wholesaler \_\_\_\_\_

Contractor \_\_\_\_\_

Architect/Engineer \_\_\_\_\_



**ADA Compliant**



Rough-In: ϕ1 1/4" [32mm] Holes in Mounting Surface.

Product Specifications:

Kettle & Pot Sink Mixing Faucet w/ Big-Flo 24" Double Swing Nozzle, 4-Arm Kitchen Handles, Color Coded Indexes & "00LL" Street Elbows

Drawn <b>DMH</b>	Checked <b>DHL</b>	Approved <b>JHB</b>
Scale: <b>1:4</b>		Date: <b>04/02/09</b>



**T&S BRASS AND BRONZE WORKS, INC.**

2 Saddleback Cove / P.O. Box 1088  
Travelers Rest, SC 29690



REG. #A2601  
ISO #9001

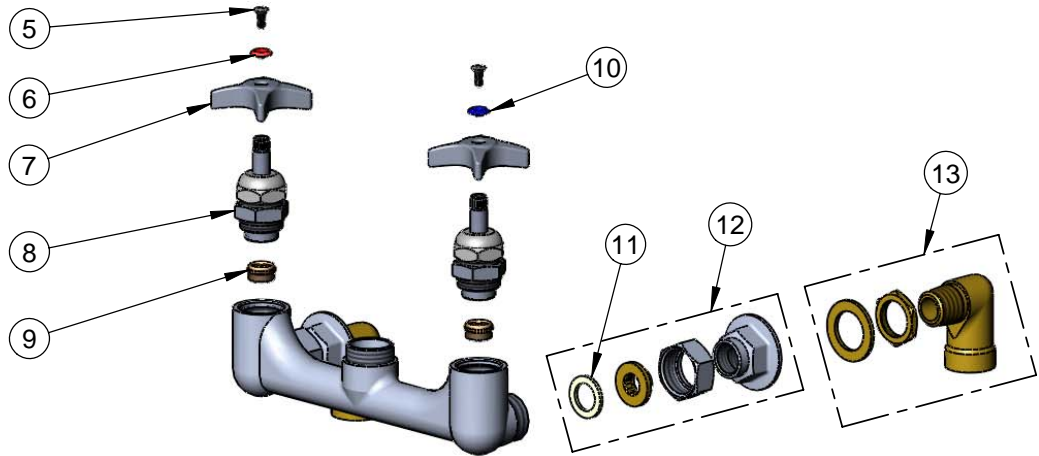
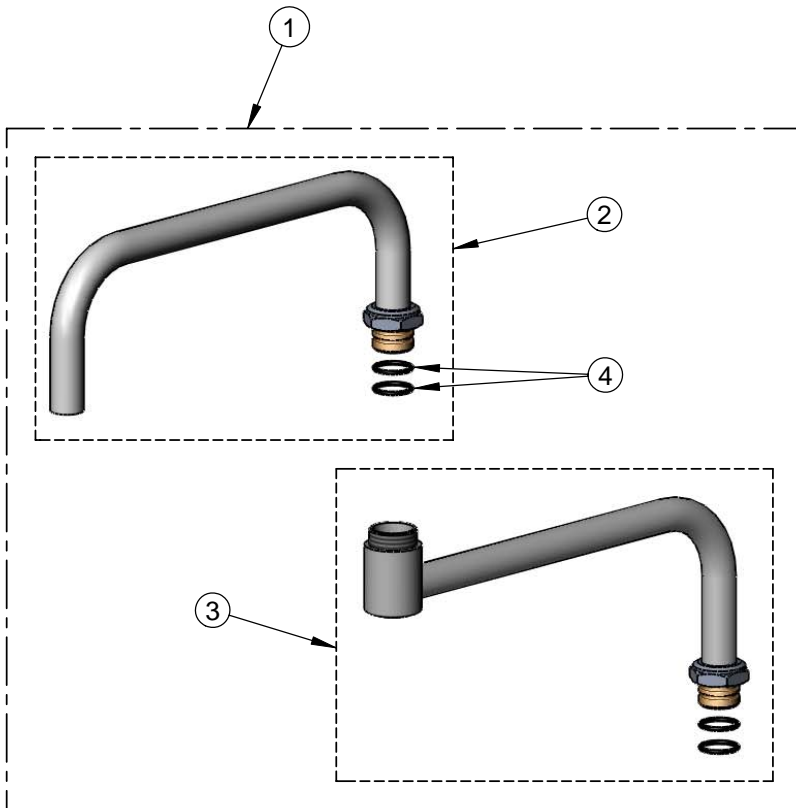
Model No.

**B-0292**

Item No.

Travelers Rest, SC: 800-476-4103 Simi Valley, CA: 800-423-0150 Fax: 864-834-3518 www.tsbrass.com

ITEM NO.	SALES NO.	DESCRIPTION
1	116X	24" Double Joint Big-Flo Swing Nozzle
2	117X	12" Front Section
3	118X	12" Back Section
4	001068-45	O-ring, Size -118
5	000922-45	Lever Handle Screw
6	001661-45	Red Index-HW
7	002521-45	4-Arm Handle
8	006482-40	Spindle Asm, B-0290 (RH)
9	000764-20	Seat, B-290 RM
10	001660-45	Blue Index-CW
11	001019-45	Coupling Nut Washer
12	00BB	Flange Assembly
13	00LL	Elbow Flange Asm



Product Specifications:

Kettle & Pot Sink Mixing Faucet w/ Big-Flo 24" Double Swing Nozzle, 4-Arm Kitchen Handles, Color Coded Indexes & "00LL" Street Elbows

Drawn <b>DMH</b>	Checked <b>DHL</b>	Approved <b>JHB</b>
Scale: <b>NTS</b>		Date: <b>04/02/09</b>