



T&S BRASS AND BRONZE WORKS, INC.

2 Saddleback Cove / P.O. Box 1088
Travelers Rest, SC 29690

Model No.

B-0300-102A

Item No.

Travelers Rest, SC: 800-476-4103 • Simi Valley, CA: 800-423-0150 • Fax: 864-834-3518 • www.tsbrass.com

This Space for Architect/Engineer Approval

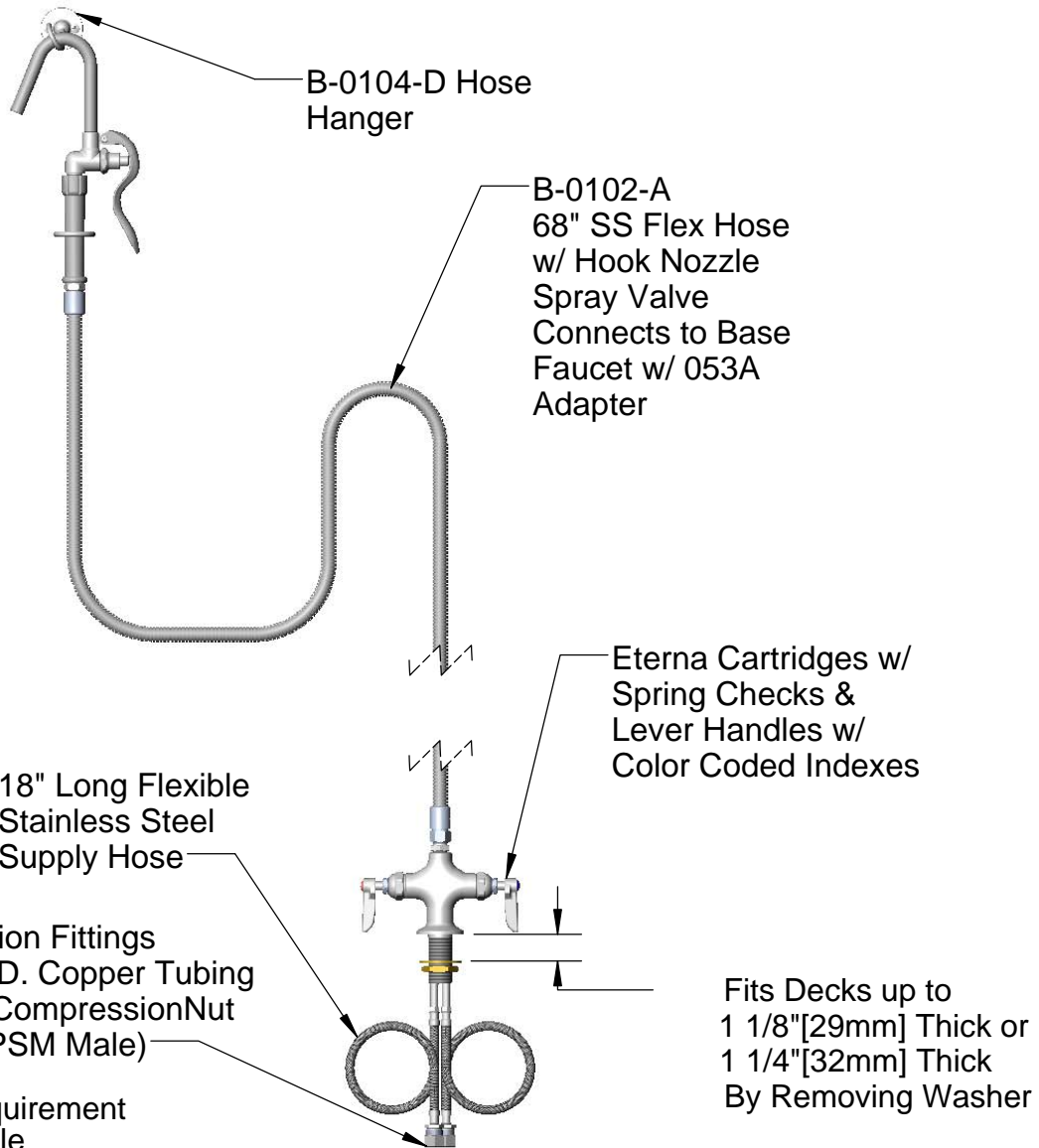
Job Name _____ Date _____

Model Specified _____ Quantity _____

Customer/Wholesaler _____

Contractor _____

Architect/Engineer _____



Note: Rough-In Requirement
 Ø 1 1/2" [38mm] Hole
 Ø 1 1/4" [32mm] Minimum

Product Specifications:
 Single Hole Deck Mount Mixing Faucet w/ Flexible Hose
 Connectors, Lever Handles, Eterna Cartridges w/ Spring
 Checks & B-0102-A Spray Valve & 68" SS Flex Hose

Drawn	Checked	Approved
JRM	DMH	JHB
Scale:		Date:
1:9		11/21/11



T&S BRASS AND BRONZE WORKS, INC.

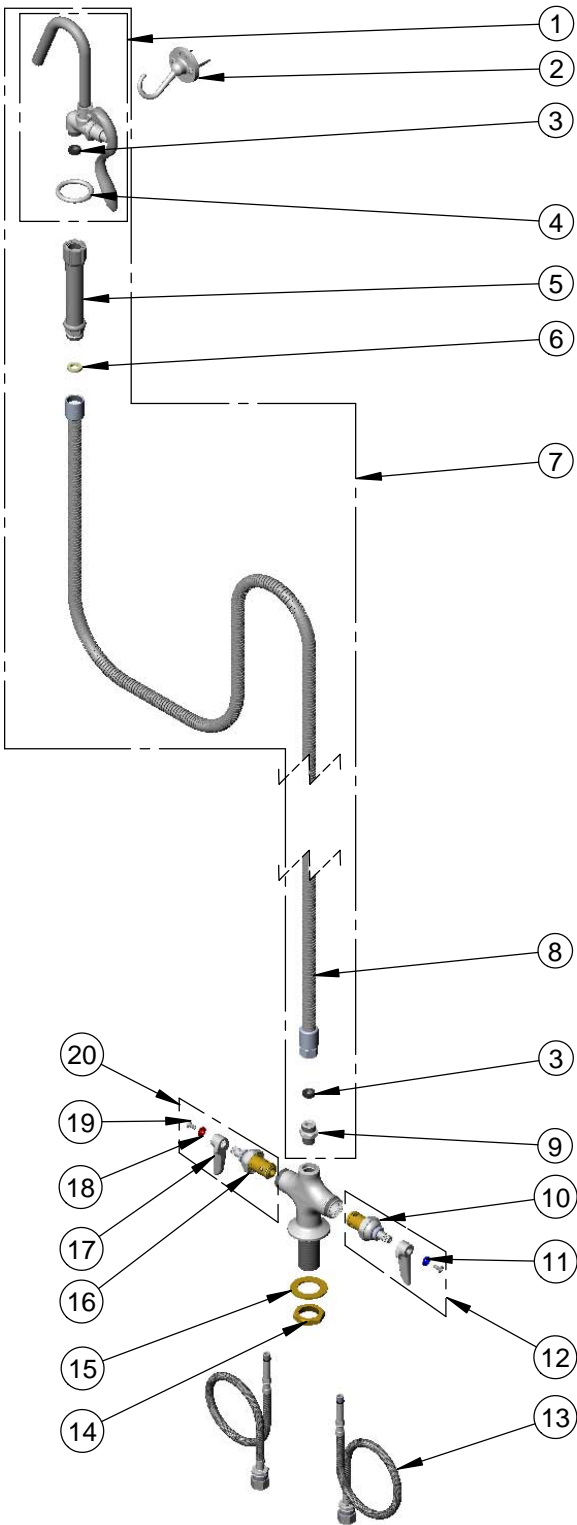
2 Saddleback Cove / P.O. Box 1088
Travelers Rest, SC 29690

Model No.

B-0300-102A

Item No.

Travelers Rest, SC: 800-476-4103 • Simi Valley, CA: 800-423-0150 • Fax: 864-834-3518 • www.tsbrass.com



ITEM NO.	SALES NO.	DESCRIPTION
1	002851-40	B-0187 Spray Valve & Hook Nozzle Assembly
2	B-0104-D	Wall Bracket Flange Body
3	010476-45	#27 Washer
4	000907-45	Spray Valve Hold Down Ring
5	002987-40	Grey Handle Assembly
6	001014-45	Washer, B-0100 Hose Barrel
7	B-0102-A	68" SS Flex Hose w/ Hook Nozzle Spray Valve
8	B-0068-H2A	68" SS Flex Hose w/o Handle
9	053A	Adapter, 3/8" NPT x 3/4"-14 UNS
10	002711-40	Eterna Cartridge LTC w/ Spring Check
11	001660-45	Blue Index-CW
12	012442-40	Eterna Cartridge LTC w/ Spring Check, Handle, Screw & Index
13	012534-45	Flexible Connector Hose (2)
14	000965-45	Lock Nut
15	002290-45	Lock Washer
16	002712-40	Eterna Cartridge RTC w/ Spring Check
17	001638-45	Lever Handle
18	001661-45	Red Index-HW
19	000922-45	Lever Handle Screw
20	012443-40	Eterna Cartridge RTC w/ Spring Check, Handle, Screw & Index

Product Specifications:

Single Hole Deck Mount Mixing Faucet w/ Flexible Hose Connectors, Lever Handles, Eterna Cartridges w/ Spring Checks & B-0102-A Spray Valve & 68" SS Flex Hose

Drawn

JRM

Checked

DMH

Approved

JHB

Scale:

NTS

Date:

11/21/11