



T&S BRASS AND BRONZE WORKS, INC.

2 Saddleback Cove / P.O. Box 1088
Travelers Rest, SC 29690



REG. #A2601
ISO #9001

Model No.

B-0300-A16-WD

Item No.

Travelers Rest, SC: 800-476-4103 • Simi Valley, CA: 800-423-0150 • Fax: 864-834-3518 • www.tsbrass.com

This Space for Architect/Engineer Approval

Job Name _____ Date _____

Model Specified _____ Quantity _____

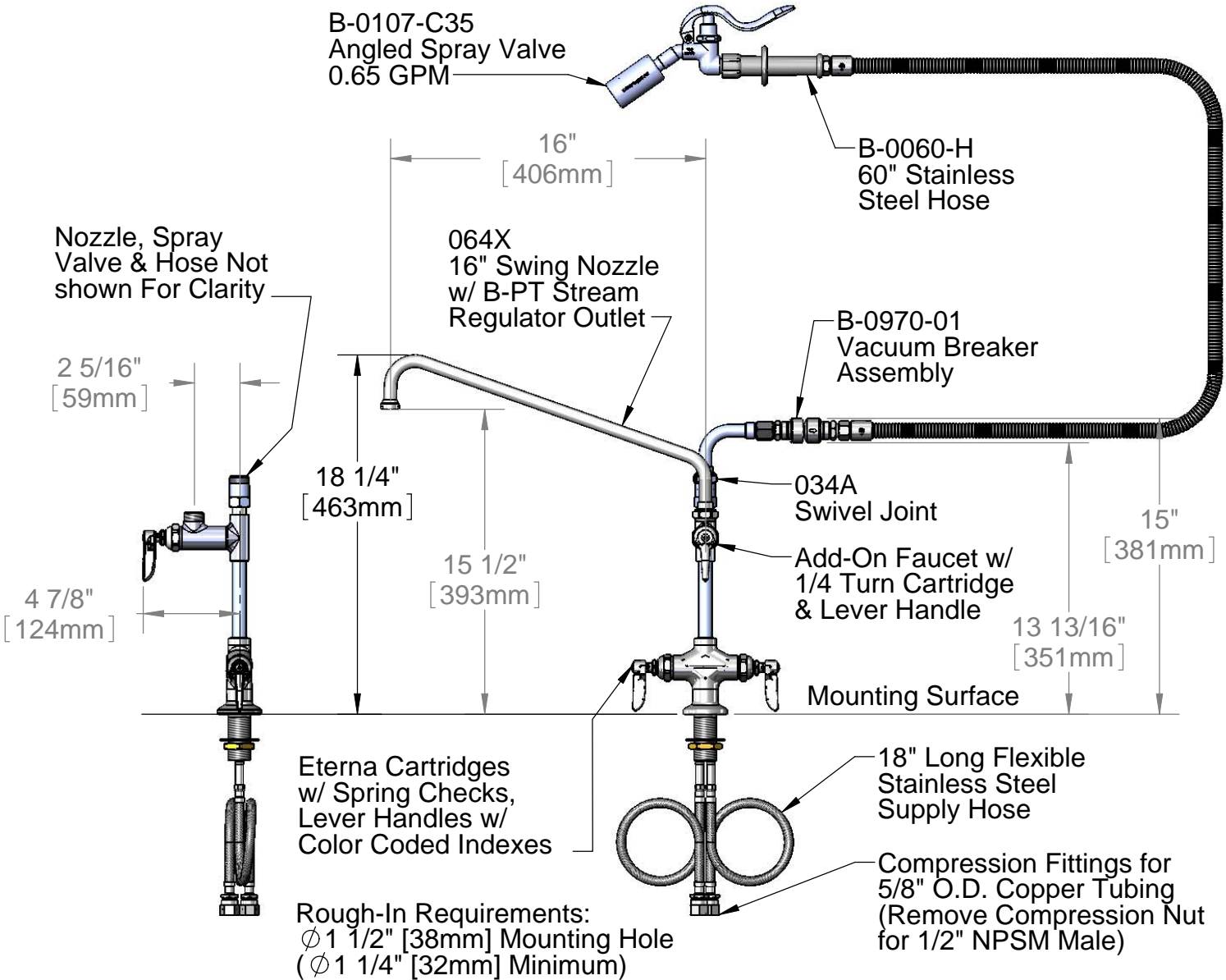
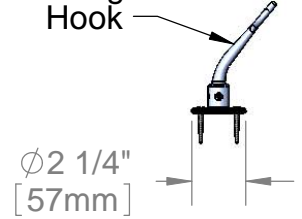
Customer/Wholesaler _____

Contractor _____

Architect/Engineer _____

EPAct2005 COMPLIANT

B-0166
Hanger
Hook



Product Specifications:
 Double Pantry Deck Mount Faucet, Eterna Cartridges w/ Spring Checks, Add-On Faucet, 16" Swing Nozzle, Stream Regulator Outlet, Low Flow Spray Valve, 60" Flex Hose, Vacuum Breake, & Flexible Supply Hoses

Drawn KJG	Checked DMH	Approved JHB
Scale: 1:8	Date: 04/08/11	



T&S BRASS AND BRONZE WORKS, INC.

2 Saddleback Cove / P.O. Box 1088
Travelers Rest, SC 29690



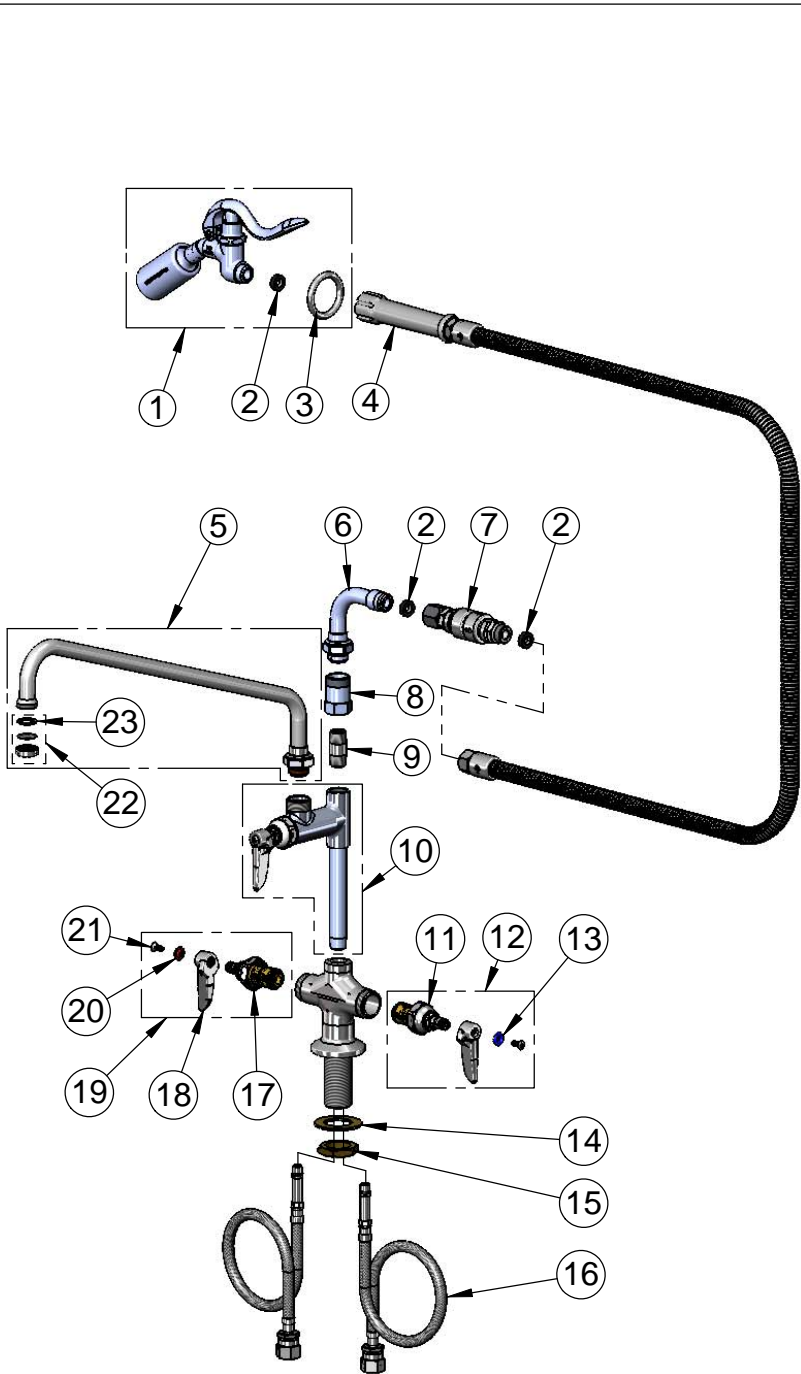
REG. #A2601
ISO #9001

Model No.

B-0300-A16-WD

Item No.

Travelers Rest, SC: 800-476-4103 • Simi Valley, CA: 800-423-0150 • Fax: 864-834-3518 • www.tsbrass.com



ITEM NO.	SALES NO.	DESCRIPTION
1	B-0107-C35	Angled Low Flow Spray Valve
2	010476-45	#27 Washer
3	000907-45	Spray Valve Hold Down Ring
4	B-0060-H	60" Flex Hose Assembly
5	064X	16" Swing Nozzle
6	034A	Hose Adapter Asm, 90 Deg.
7	B-0970-01	Vacuum Breaker
8	054X	Swivel Body
9	002341-40	3/8" NPT x 1 1/2" Nipple
10	B-0155-05LN	Add-On Faucet Less Nozzle
11	012442-40	Eterna Cartridge - LTC
12	002711-40	Cold Eterna Spindle Asm w/ Spring Check, Handle, Index & Screw
13	001660-45	Blue Index-CW
14	002290-45	Lock Washer
15	000965-45	Lock Nut
16	012534-45	Flexible Connector Hose (2)
17	012443-40	Eterna Cartridge - RTC
18	001638-45	Lever Handle
19	002712-40	Hot Eterna Spindle Asm w/ Spring Check, Handle, Index & Screw
20	001661-45	Red Index-HW
21	000922-45	Lever Handle Screw
22	B-PT	Stream Regulator Outlet
23	001048-45	Nozzle Tip Washer

Product Specifications:
Double Pantry Deck Mount Faucet, Eterna Cartridges w/ Spring Checks, Add-On Faucet, 16" Swing Nozzle, Stream Regulator Outlet, Low Flow Spray Valve, 60" Flex Hose, Vacuum Breake, & Flexible Supply Hoses

Drawn KJG	Checked DMH	Approved JHB
Scale: NTS		Date: 04/08/11