



T&S BRASS AND BRONZE WORKS, INC.

2 Saddleback Cove / P.O. Box 1088
Travelers Rest, SC 29690



REG. #A2601
ISO #9001

Model No.

B-0305-01

Item No.

Travelers Rest, SC: 800-476-4103 • Simi Valley, CA: 800-423-0150 • Fax: 864-834-3518 • www.tsbrass.com

This Space for Architect/Engineer Approval

Job Name _____ Date _____

Model Specified _____ Quantity _____

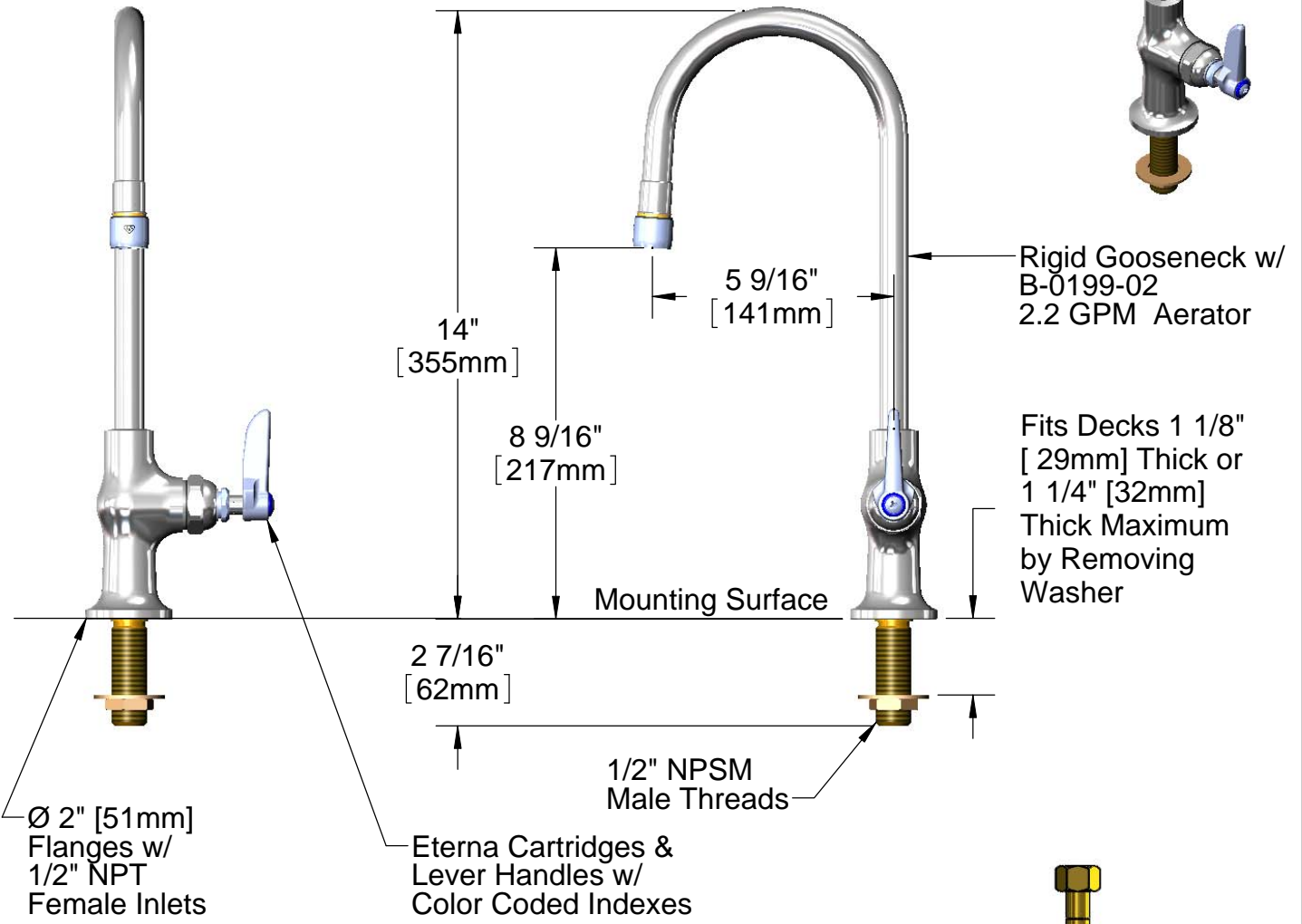
Customer/Wholesaler _____

Contractor _____

Architect/Engineer _____



ADA Compliant



150A Tailpiece & Nut Furnished For Optional 1/4" NPT Connection

Note: Rough-In Requirement
Ø 1" [25mm] Mounting Hole

Product Specifications:
Single Pantry Faucet, Rigid Gooseneck w/ 2.2 GPM Aerator,
Lever Handle & 1/2" NPSM Male Inlet

| | | |
|----------------------|-----------------------|--------------------------|
| Drawn DHL | Checked KJG | Approved JHB |
| Scale: 1:4 | | Date: 04/11/11 |



T&S BRASS AND BRONZE WORKS, INC.

2 Saddleback Cove / P.O. Box 1088
Travelers Rest, SC 29690



REG. #A2601
ISO #9001

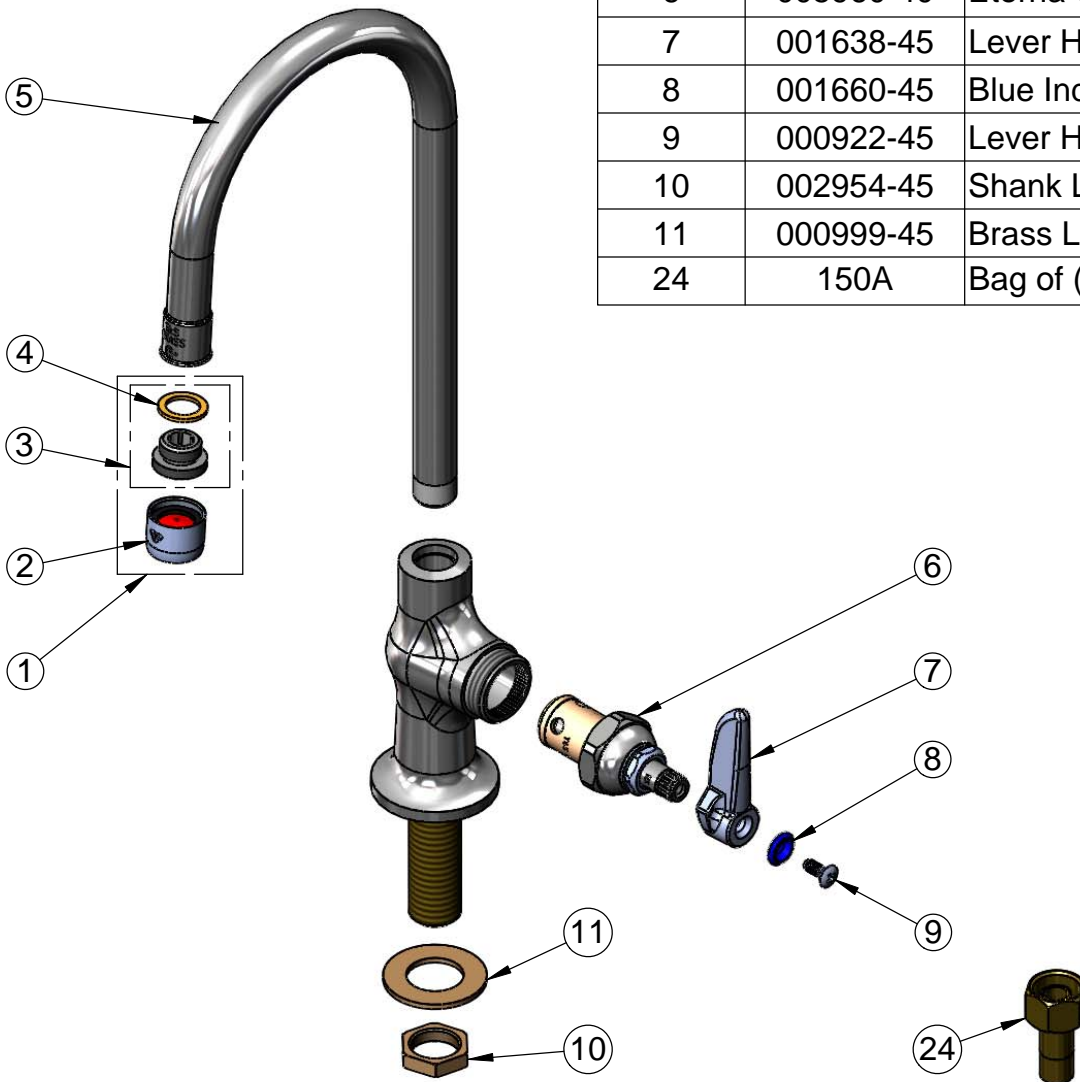
Model No.

B-0305-01

Item No.

Travelers Rest, SC: 800-476-4103 • Simi Valley, CA: 800-423-0150 • Fax: 864-834-3518 • www.tsbrass.com

| ITEM NO. | SALES NO. | DESCRIPTION |
|----------|-----------|--------------------------------|
| 1 | B-0199-02 | 2.2 GPM Aerator w/ Adapter |
| 2 | B-0199-01 | 2.2 GPM Aerator, Female |
| 3 | 044A | 3/8" to Aerator Adapter |
| 4 | 001043-45 | Washer |
| 5 | 000398-40 | Rigid Gooseneck |
| 6 | 005960-40 | Eterna Cartridge - RTC |
| 7 | 001638-45 | Lever Handle |
| 8 | 001660-45 | Blue Index-CW |
| 9 | 000922-45 | Lever Handle Screw |
| 10 | 002954-45 | Shank Lock Nut |
| 11 | 000999-45 | Brass Lock Washer |
| 24 | 150A | Bag of (1) Nut & (1) Tailpiece |



Product Specifications:

Single Pantry Faucet, Rigid Gooseneck w/ 2.2 GPM Aerator, Lever Handle & 1/2" NPSM Male Inlet

Drawn

DHL

Checked

KJG

Approved

JHB

Scale:

NTS

Date:

04/11/11