



T&S BRASS AND BRONZE WORKS, INC.

2 Saddleback Cove / P.O. Box 1088
Travelers Rest, SC 29690



REG. #A2601
ISO #9001

Model No.

B-0305-LN

Item No.

Travelers Rest, SC: 800-476-4103 Simi Valley, CA: 800-423-0150 Fax: 864-834-3518 www.tsbrass.com

This Space for Architect/Engineer Approval

Job Name _____ Date _____

Model Specified _____ Quantity _____

Customer/Wholesaler _____

Contractor _____

Architect/Engineer _____

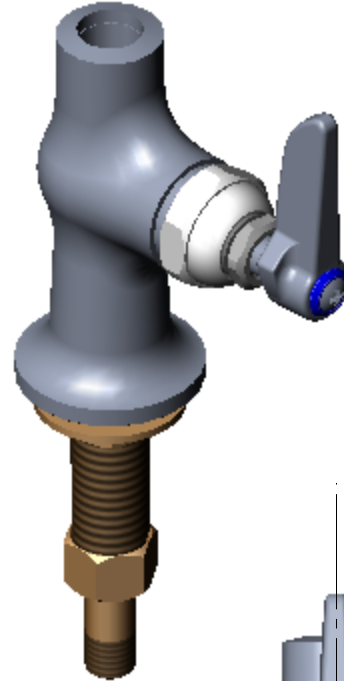
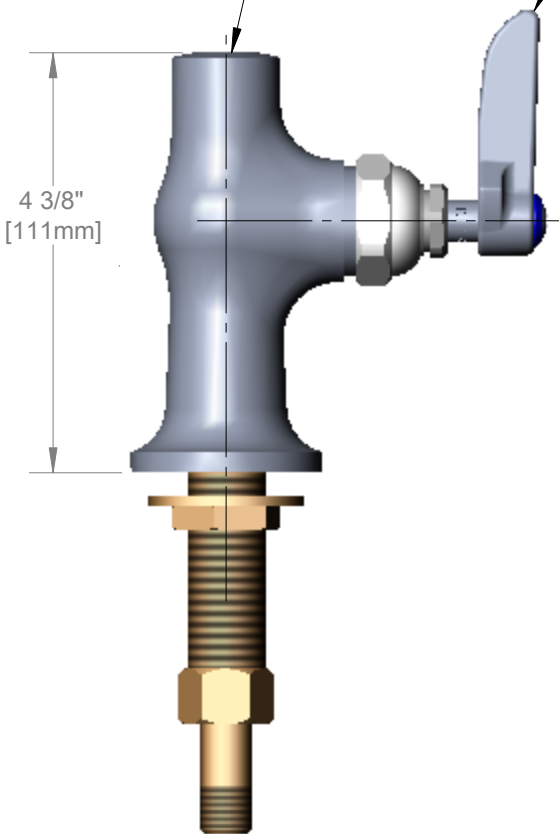


Variations or Applicable Options:

- WH6 6" Wrist Action Handle
- WH4 4" Wrist Action Handle
- 175F 4-Arm Kitchen Handle

3/8" NPT Female.
Accepts 3/8" Rigid
Goosenecks

Lever Handle
w/ Colored
Index



Ø2"
[51mm]
Base



1/4" NPT
Tailpiece, or
remove for
1/2" NPSM
Male Shank

Product Specifications:

Single Hole, Single Temperature Deck Mount Faucet w/
Lever Handle, Eterna Cartridge, Less Nozzle

Drawn
WJS

Checked
JRM

Approved
JHB

Scale:

1:2

Date:

10/19/06



T&S BRASS AND BRONZE WORKS, INC.

2 Saddleback Cove / P.O. Box 1088
Travelers Rest, SC 29690



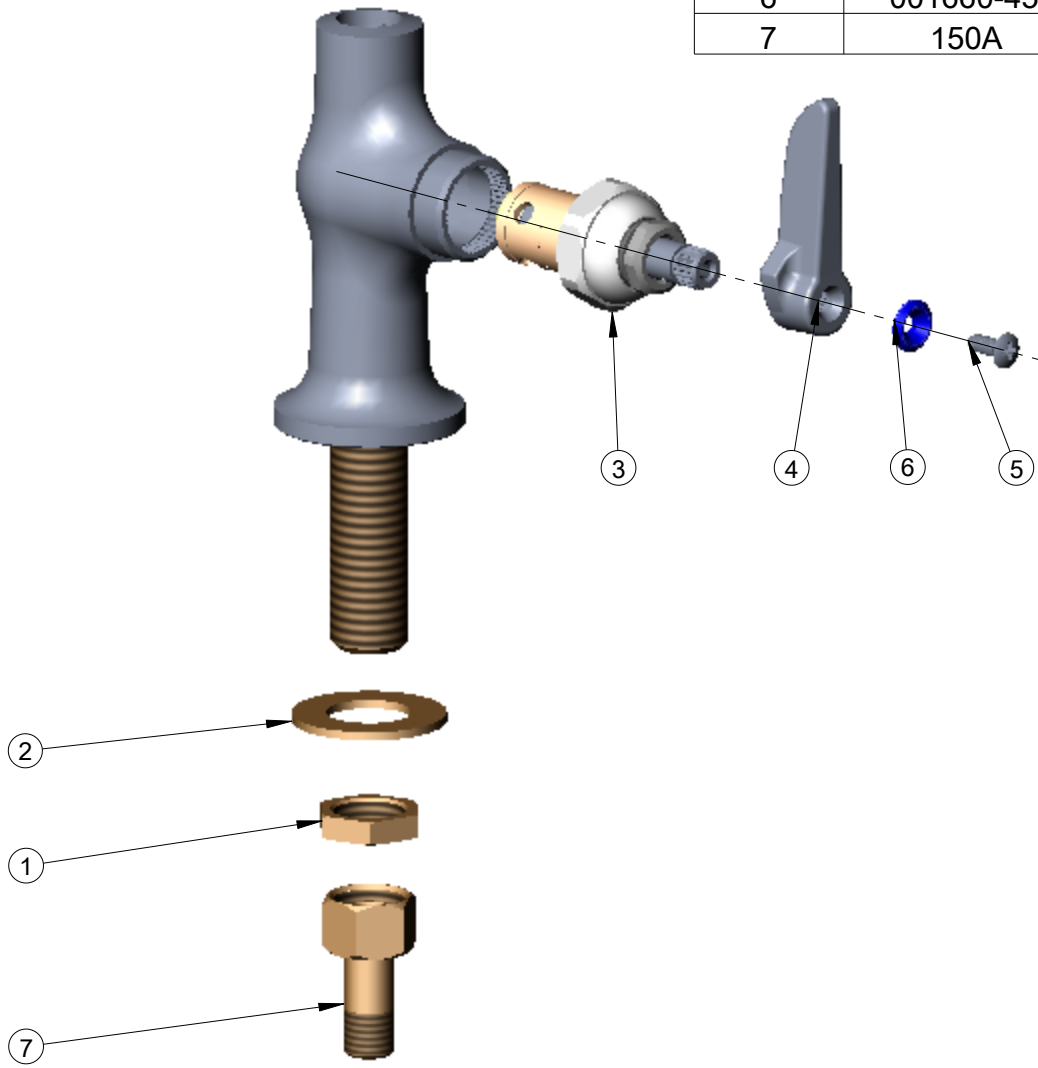
REG. #A2601
ISO #9001

Model No.
B-0305-LN

Item No.

Travelers Rest, SC: 800-476-4103 Simi Valley, CA: 800-423-0150 Fax: 864-834-3518 www.tsbrass.com

ITEM	PART NO.	DESCRIPTION
1	002954-45	Shank Lock Nut
2	007361-45	Brass Lock Washer
3	005960-40	Eterna Barrel Asm-Hot
4	177F	Lever Handle
5	000922-45	Lever Handle Screw
6	001660-45	Blue Index-CW
7	150A	Nut & Tailpiece



Product Specifications:

Single Hole, Single Temperature Deck Mount Faucet w/
Lever Handle, Eterna Cartridge, Less Nozzle

Drawn WJS	Checked JRM	Approved JHB
Scale: 1:2		Date: 10/19/06