



# T&S BRASS AND BRONZE WORKS, INC.

2 Saddleback Cove / P.O. Box 1088  
Travelers Rest, SC 29690



REG. #A2601  
ISO #9001

Model No.

**B-0305-LN**

Item No.

Travelers Rest, SC: 800-476-4103 Simi Valley, CA: 800-423-0150 Fax: 864-834-3518 www.tsbrass.com

This Space for Architect/Engineer Approval

Job Name \_\_\_\_\_ Date \_\_\_\_\_

Model Specified \_\_\_\_\_ Quantity \_\_\_\_\_

Customer/Wholesaler \_\_\_\_\_

Contractor \_\_\_\_\_

Architect/Engineer \_\_\_\_\_

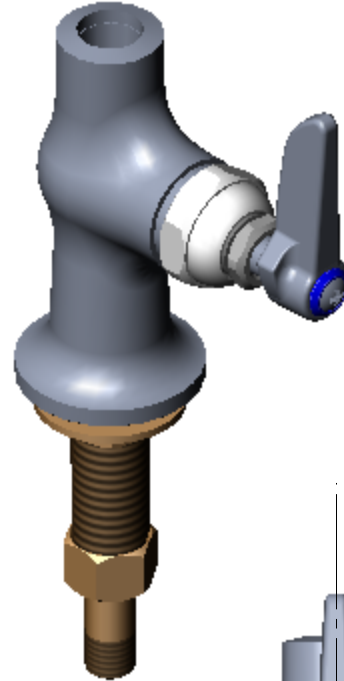
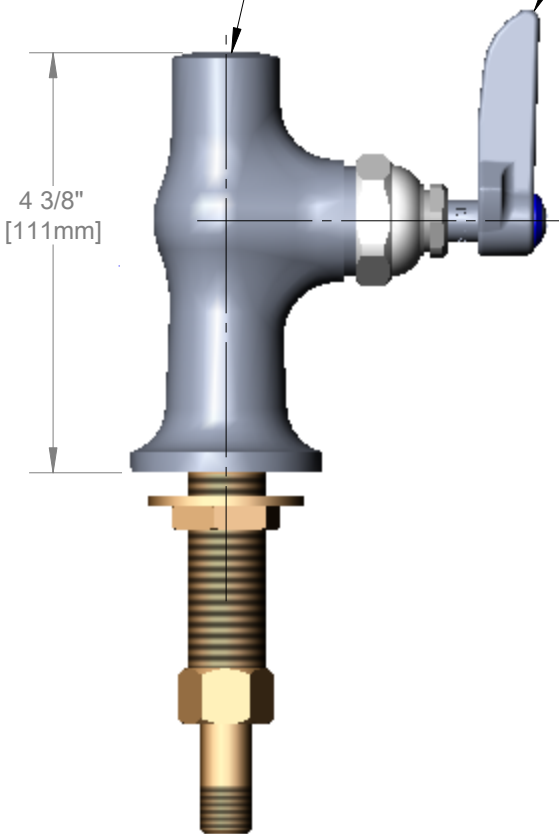


### Variations or Applicable Options:

- WH6 6" Wrist Action Handle
- WH4 4" Wrist Action Handle
- 175F 4-Arm Kitchen Handle

3/8" NPT Female.  
Accepts 3/8" Rigid  
Goosenecks

Lever Handle  
w/ Colored  
Index



Ø2"  
[51mm]  
Base



1/4" NPT  
Tailpiece, or  
remove for  
1/2" NPSM  
Male Shank

### Product Specifications:

Single Hole, Single Temperature Deck Mount Faucet w/  
Lever Handle, Eterna Cartridge, Less Nozzle

Drawn  
WJS

Checked  
JRM

Approved  
JHB

Scale:

1:2

Date:

10/19/06



**T&S BRASS AND BRONZE WORKS, INC.**

2 Saddleback Cove / P.O. Box 1088  
Travelers Rest, SC 29690



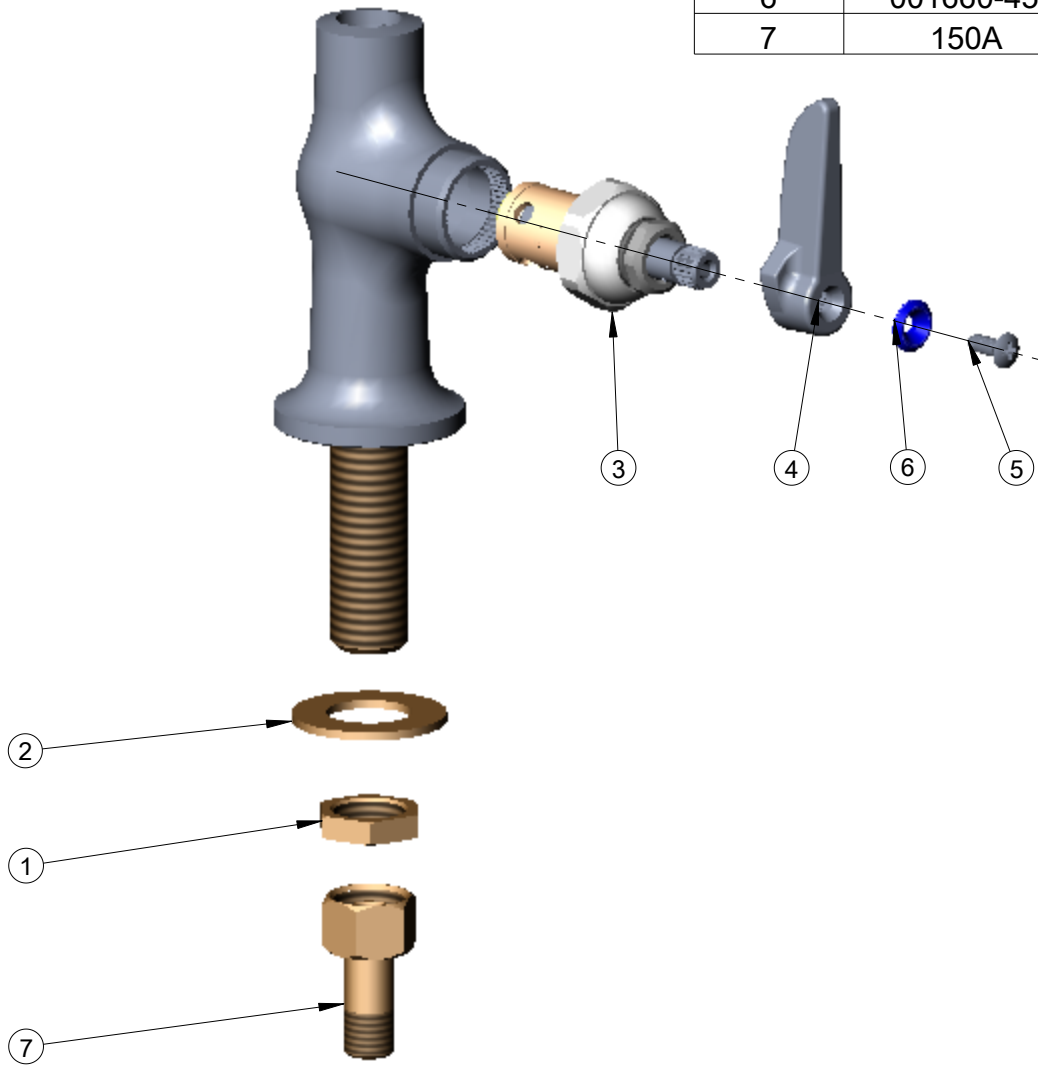
REG. #A2601  
ISO #9001

Model No.  
**B-0305-LN**

Item No.

Travelers Rest, SC: 800-476-4103 Simi Valley, CA: 800-423-0150 Fax: 864-834-3518 www.tsbrass.com

ITEM	PART NO.	DESCRIPTION
1	002954-45	Shank Lock Nut
2	007361-45	Brass Lock Washer
3	005960-40	Eterna Barrel Asm-Hot
4	177F	Lever Handle
5	000922-45	Lever Handle Screw
6	001660-45	Blue Index-CW
7	150A	Nut & Tailpiece



Product Specifications:

Single Hole, Single Temperature Deck Mount Faucet w/  
Lever Handle, Eterna Cartridge, Less Nozzle

Drawn WJS	Checked JRM	Approved JHB
Scale: 1:2		Date: 10/19/06