



**T&S BRASS AND BRONZE WORKS, INC.**  
 2 Saddleback Cove / P.O. Box 1088  
 Travelers Rest, SC 29690

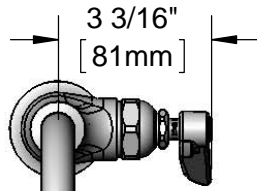
Model No.  
**B-0305-VR**

Item No.

Travelers Rest, SC: 800-476-4103 • Simi Valley, CA: 800-423-0150 • Fax: 864-834-3518 • www.tsbrass.com



**ADA Compliant**



3 3/16"  
[81mm]

This Space for Architect/Engineer Approval

Job Name \_\_\_\_\_ Date \_\_\_\_\_

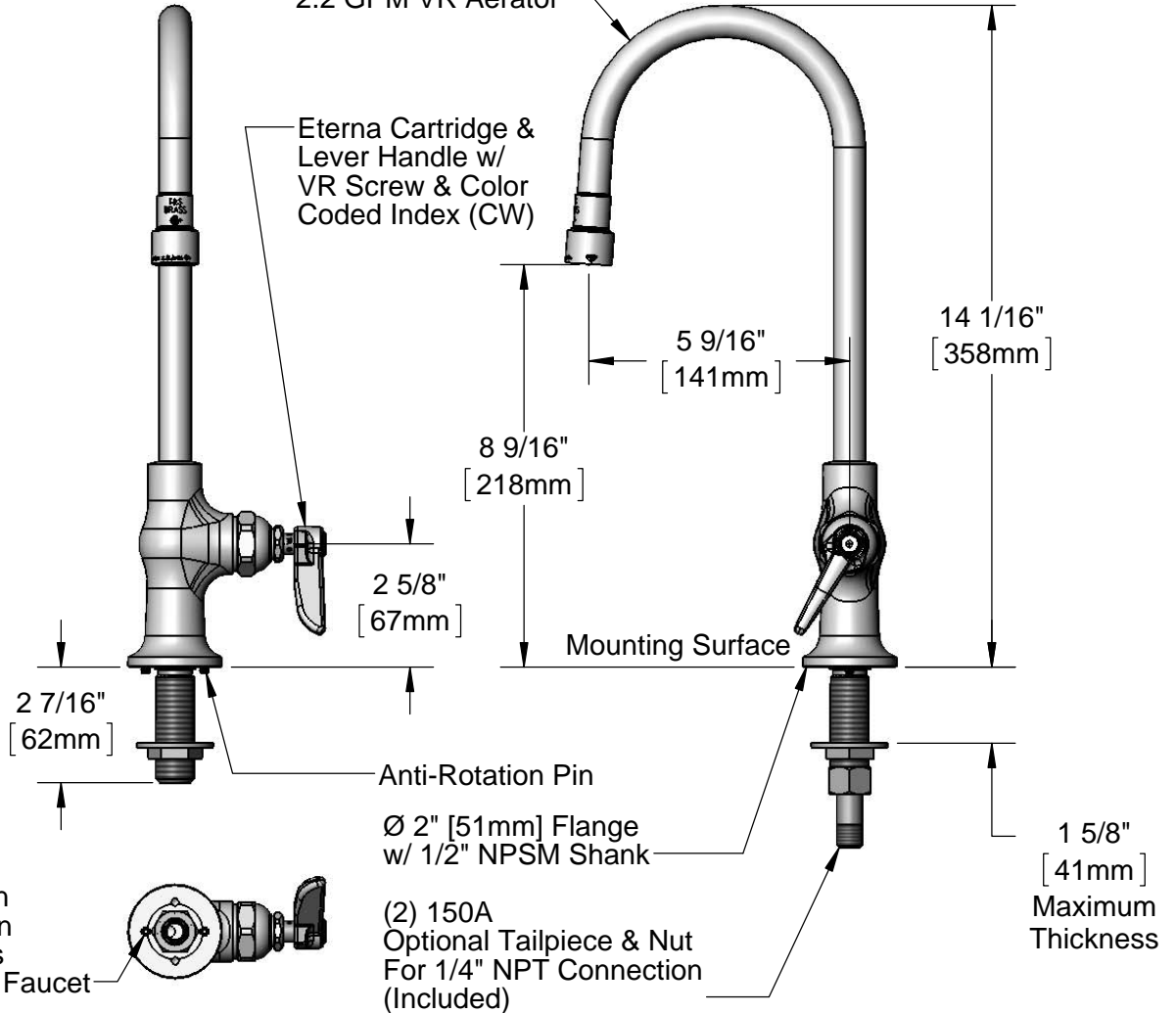
Model Specified \_\_\_\_\_ Quantity \_\_\_\_\_

Customer/Wholesaler \_\_\_\_\_

Contractor \_\_\_\_\_

Architect/Engineer \_\_\_\_\_

5 1/2" Spread  
 Rigid Gooseneck w/  
 B-0199-07  
 2.2 GPM VR Aerator



Threaded Anti-Rotation  
 Pins May be Inserted in  
 Any (2) of (4) Positions  
 Preventing Twisting of Faucet

Rough-In Requirement:  
 Ø 1" [25mm] Mounting Hole

Product Specifications:  
 Single Hole Single Temp Deck Mount Faucet, Vandal Resistant  
 Lever Handle, Vandal Resistant 2.2 GPM Aerator & Vandal Resistant  
 Anti Rotation Counter Pins

Drawn <b>DHL</b>	Checked <b>DMH</b>	Approved <b>JHB</b>
Scale: <b>1:4</b>		Date: <b>11/02/12</b>



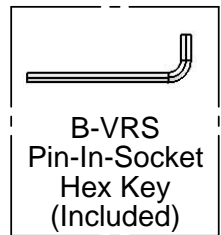
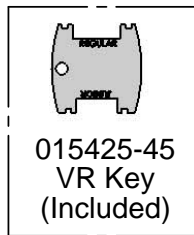
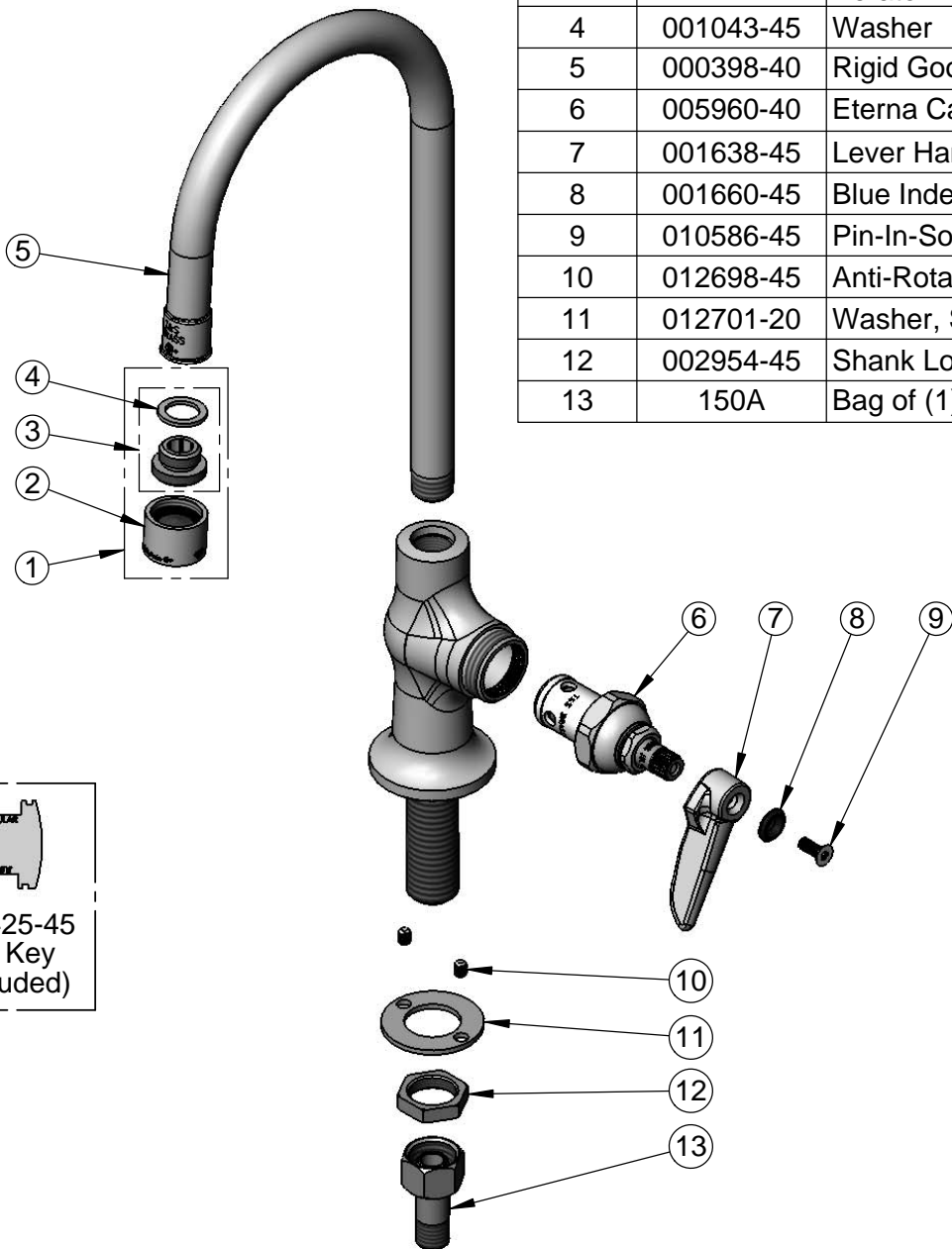
**T&S BRASS AND BRONZE WORKS, INC.**  
 2 Saddleback Cove / P.O. Box 1088  
 Travelers Rest, SC 29690

Model No.  
**B-0305-VR**

Item No.

Travelers Rest, SC: 800-476-4103 • Simi Valley, CA: 800-423-0150 • Fax: 864-834-3518 • www.tsbrass.com

ITEM NO.	SALES NO.	DESCRIPTION
1	B-0199-07	VR 2.2 GPM Aerator, 3/8" NPSM Male w/ Key
2	B-0199-06	VR 2.2 GPM Aerator w/ Key
3	044A	Adapter w/ Washer For B-0199-02 Aerator
4	001043-45	Washer
5	000398-40	Rigid Gooseneck
6	005960-40	Eterna Cartridge, RTC
7	001638-45	Lever Handle
8	001660-45	Blue Index-CW
9	010586-45	Pin-In-Socket Screw
10	012698-45	Anti-Rotation Pin (2)
11	012701-20	Washer, Shank - VR Bubbler
12	002954-45	Shank Lock Nut
13	150A	Bag of (1) Tailpiece & (1) Nut



Product Specifications:  
 Single Hole Single Temp Deck Mount Faucet, Vandal Resistant  
 Lever Handle, Vandal Resistant 2.2 GPM Aerator & Vandal Resistant  
 Anti Rotation Counter Pins

Drawn <b>DHL</b>	Checked <b>DMH</b>	Approved <b>JHB</b>
Scale: <b>NTS</b>		Date: <b>11/02/12</b>