



T&S BRASS AND BRONZE WORKS, INC.

2 SADDLEBACK COVE / P.O. BOX 1088 / TRAVELERS REST, SC 29690

PHONE 800-476-4103

FAX 864-834-3518



REG.#A2601
ISO #9002

Model No.

B-0310-LN

Item No.:

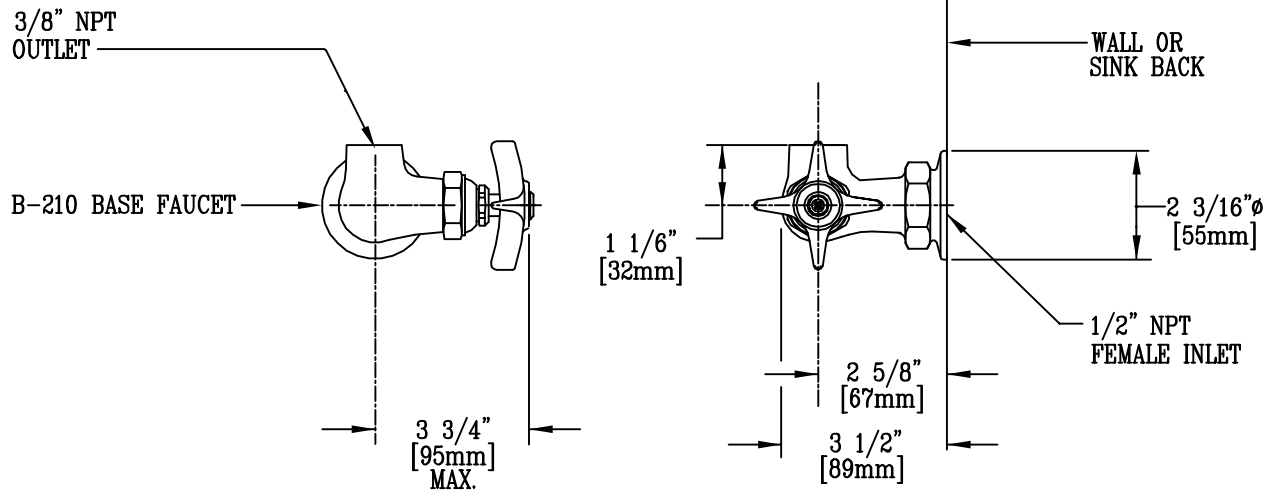
Job Name:

Architect/Engineer Approval:

Notes:



ADA COMPLIANT



NOTE: SPECIFY COLD OR HOT INDEX FOR FAUCET HANDLE. IF NOT SPECIFIED, COLD INDEX IS NORMALLY FURNISHED.

Product Description:

SINGLE SINK FAUCET, LESS NOZZLE,
LEVER HANDLE, 1/2" NPT FEMALE INLET,

Drawn:

MCW

Approved

CA

Checked

MW

Scale:

3" = 1'

Date:

11/27/95