



T&S BRASS AND BRONZE WORKS, INC.

2 Saddleback Cove / P.O. Box 1088
Travelers Rest, SC 29690



REG. #A2601
ISO #9001

Model No.

B-0318-03

Item No.

Travelers Rest, SC: 800-476-4103 Simi Valley, CA: 800-423-0150 Fax: 864-834-3518 www.tsbrass.com

This Space for Architect/Engineer Approval

Job Name _____ Date _____

Model Specified _____ Quantity _____

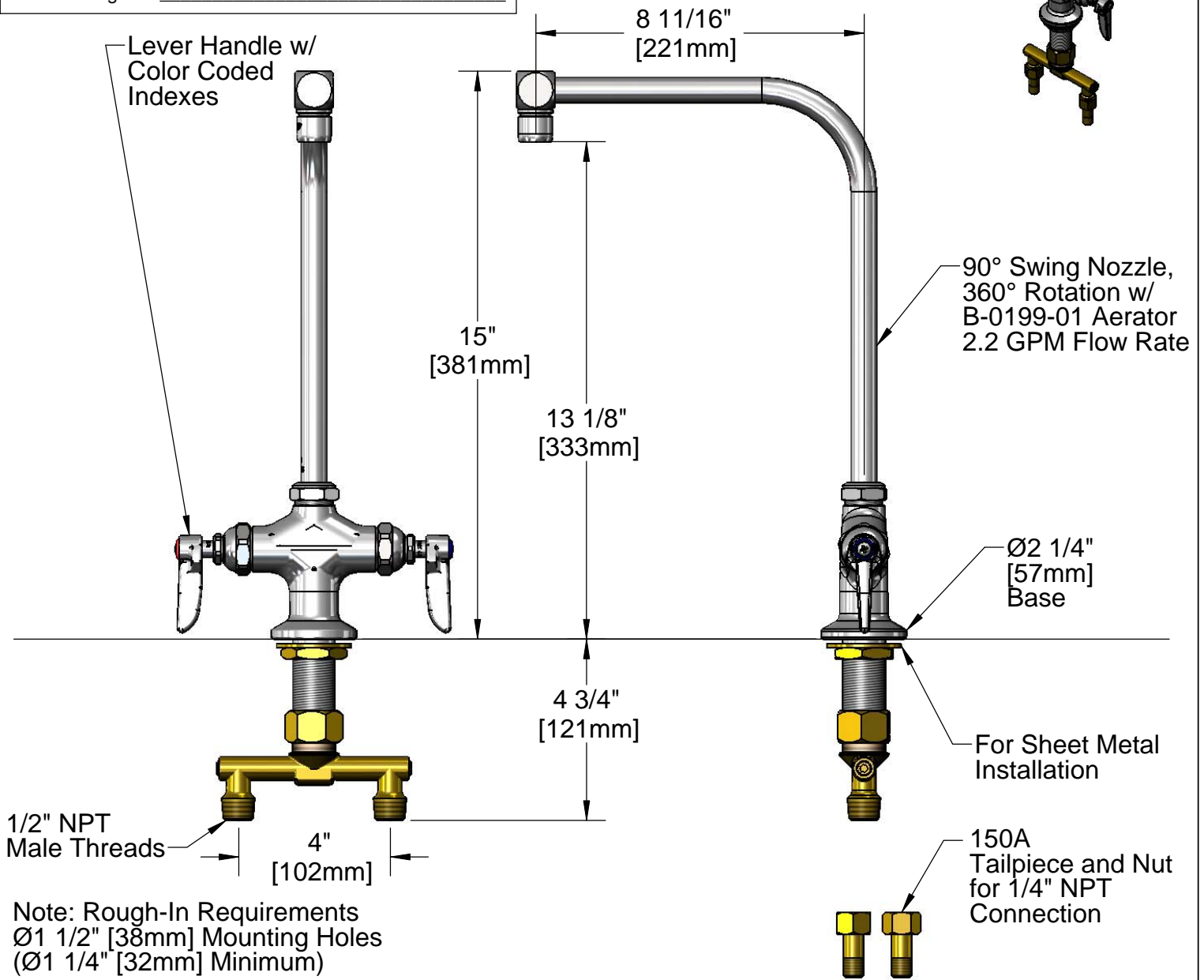
Customer/Wholesaler _____

Contractor _____

Architect/Engineer _____



ADA Compliant



Product Specifications:

**Single Hole, Double Mixing Faucet w/
1/2" NPT Male Thread, Eterna Cartridges
& 90° Swing Nozzle w/ 2.2 GPM Aerator**

Drawn DHL	Checked JRM	Approved JHB
Scale: 1:4		Date: 07/02/10



T&S BRASS AND BRONZE WORKS, INC.

2 Saddleback Cove / P.O. Box 1088
Travelers Rest, SC 29690



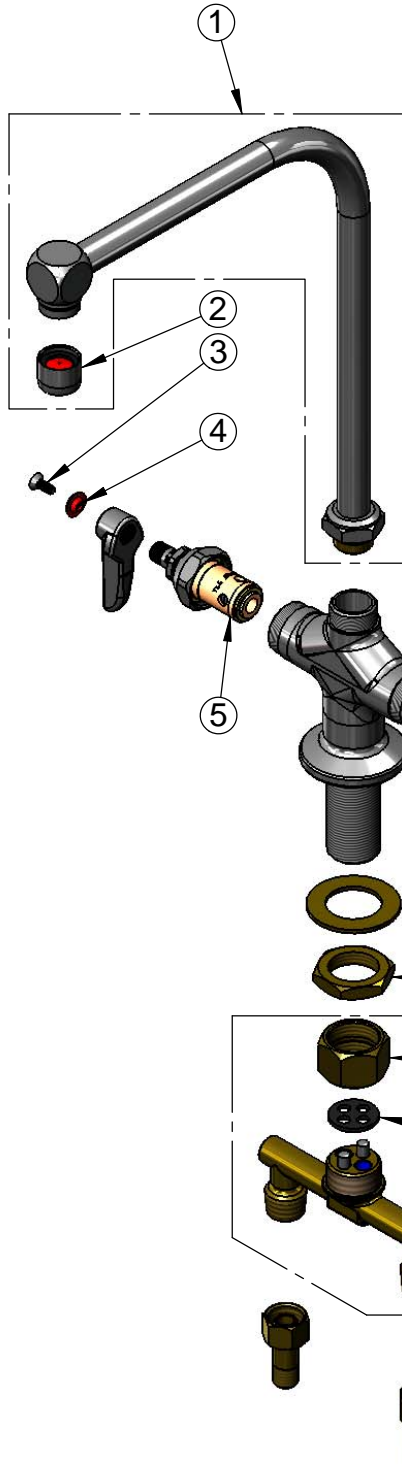
REG. #A2601
ISO #9001

Model No.

B-0318-03

Item No.

Travelers Rest, SC: 800-476-4103 Simi Valley, CA: 800-423-0150 Fax: 864-834-3518 www.tsbrass.com



ITEM NO.	SALES NO.	DESCRIPTION
1	018006-40	B-0318-03 Swing Nozzle
2	B-0199-01	2.2 GPM Aerator, Female
3	000922-45	Lever Handle Screw
4	001661-45	Red Index-HW
5	005960-40	Spindle Asm, Eterna "Hot"
6	005959-40	Spindle Asm. Eterna "Cold"
7	001660-45	Blue Index-CW
8	001638-45	Lever Handle
9	002290-45	Lock Washer
10	000965-45	Lock Nut
11	000736-20	Spreader Coupler Nut
12	001041-45	Spreader Washer
13	002898-40	Spreader Unit Assembly
14	150A	Bag of (1) Nut & (1) Tailpiece

Product Specifications:

Single Hole, Double Mixing Faucet w/
1/2" NPT Male Thread, Eterna Cartridges
& 90° Swing Nozzle w/ 2.2 GPM Aerator

Drawn DHL	Checked JRM	Approved JHB
Scale: 1:4		Date: 07/02/10