



# T&S BRASS AND BRONZE WORKS, INC.

2 Saddleback Cove / P.O. Box 1088  
Travelers Rest, SC 29690



REG. #A2601  
ISO #9001

Model No.  
**B-0324-CR-129X**

Item No.

Travelers Rest, SC: 800-476-4103 Simi Valley, CA: 800-423-0150 Fax: 864-834-3518 www.tsbrass.com

This Space for Architect/Engineer Approval

Job Name \_\_\_\_\_ Date \_\_\_\_\_

Model Specified \_\_\_\_\_ Quantity \_\_\_\_\_

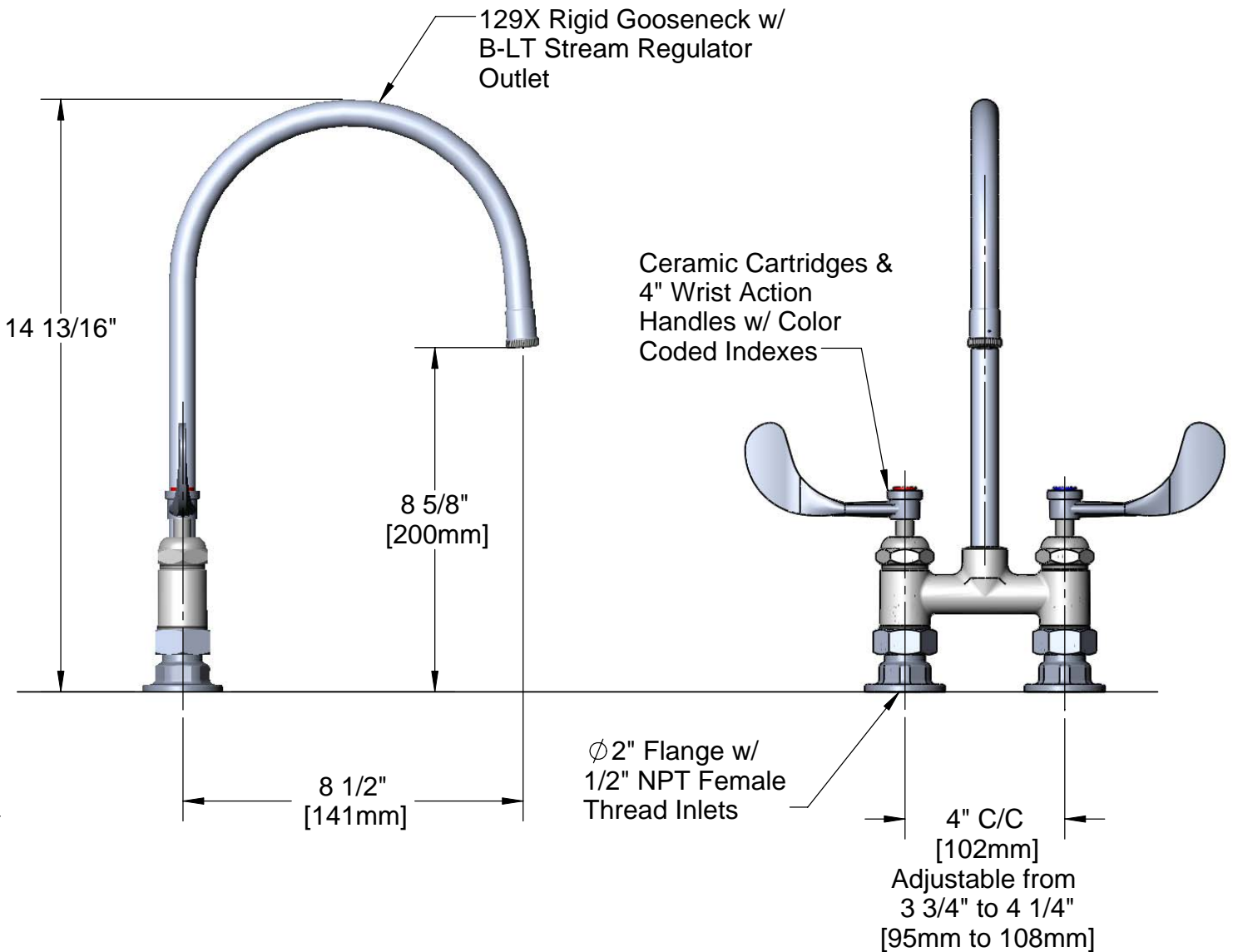
Customer/Wholesaler \_\_\_\_\_

Contractor \_\_\_\_\_

Architect/Engineer \_\_\_\_\_



ADA Compliant



Product Specifications:

4" c/c Deck Mounted Surgical Sink Faucet w/ Ceramic Cartridges,  
129X Rigid Gooseneck, Stream Regulator, 4" Wrist Action Handles,  
and 1/2" NPT Female Inlets

Drawn <b>DMH</b>	Checked <b>GEF</b>	Approved <b>JHB</b>
Scale: <b>1:4</b>		Date: <b>02/20/09</b>



**T&S BRASS AND BRONZE WORKS, INC.**

2 Saddleback Cove / P.O. Box 1088  
Travelers Rest, SC 29690



REG. #A2601  
ISO #9001

Model No.

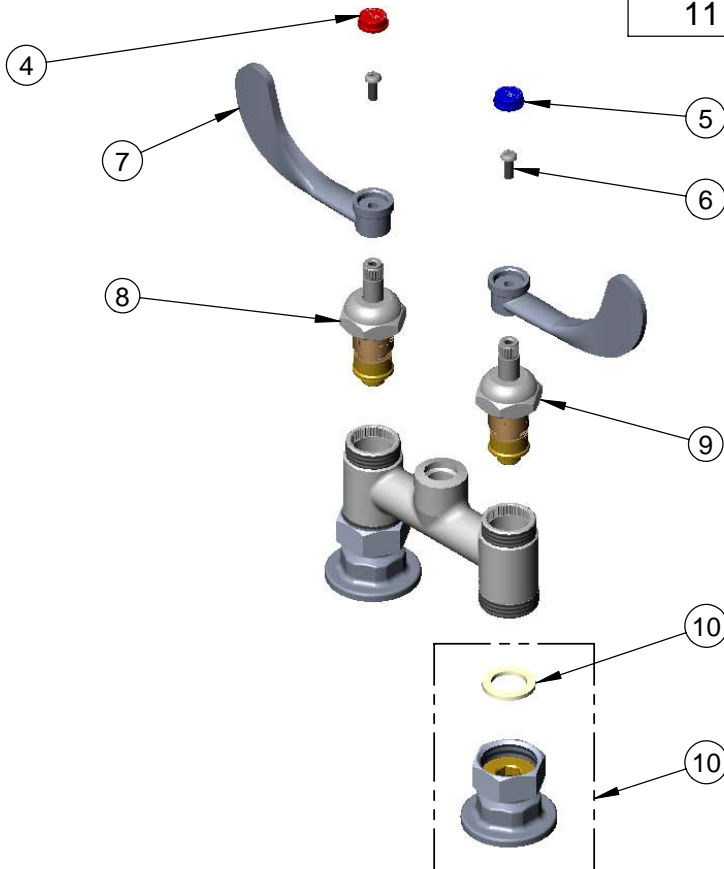
**B-0324-CR-129X**

Item No.

Travelers Rest, SC: 800-476-4103 Simi Valley, CA: 800-423-0150 Fax: 864-834-3518 www.tsbrass.com



ITEM NO.	SALES NO.	DESCRIPTION
1	129X	Rigid Gooseneck w/ Stream Regulator
2	001043-45	Washer
3	B-LT	Stream Regulator Outlet
4	001194-45	Red HW Index
5	001686-45	Blue CW Index
6	000925-45	Lab Handle Screw
7	B-WH4	4" Wrist Action Handle
8	011278-25	Ceramic Cartridge RTC
9	011279-25	Ceramic Cartridge LTC
10	001019-45	Coupling Nut Washer
11	00AA	Coupling Flange Asm



Product Specifications:

4" c/c Deck Mounted Surgical Sink Faucet w/ Ceramic Cartridges, 129X Rigid Gooseneck, Stream Regulator, 4" Wrist Action Handles, and 1/2" NPT Female Inlets

Drawn <b>DMH</b>	Checked <b>GEF</b>	Approved <b>JHB</b>
Scale: <b>1:4</b>		Date: <b>02/20/09</b>