



# T&S BRASS AND BRONZE WORKS, INC.

2 Saddleback Cove / P.O. Box 1088  
Travelers Rest, SC 29690



REG. #A2601  
ISO #9001

Model No.

B-0325-NPL

Item No.

Travelers Rest, SC: 800-476-4103 Simi Valley, CA: 800-423-0150 Fax: 864-834-3518 www.tsbrass.com

This Space for Architect/Engineer Approval

Job Name \_\_\_\_\_ Date \_\_\_\_\_

Model Specified \_\_\_\_\_ Quantity \_\_\_\_\_

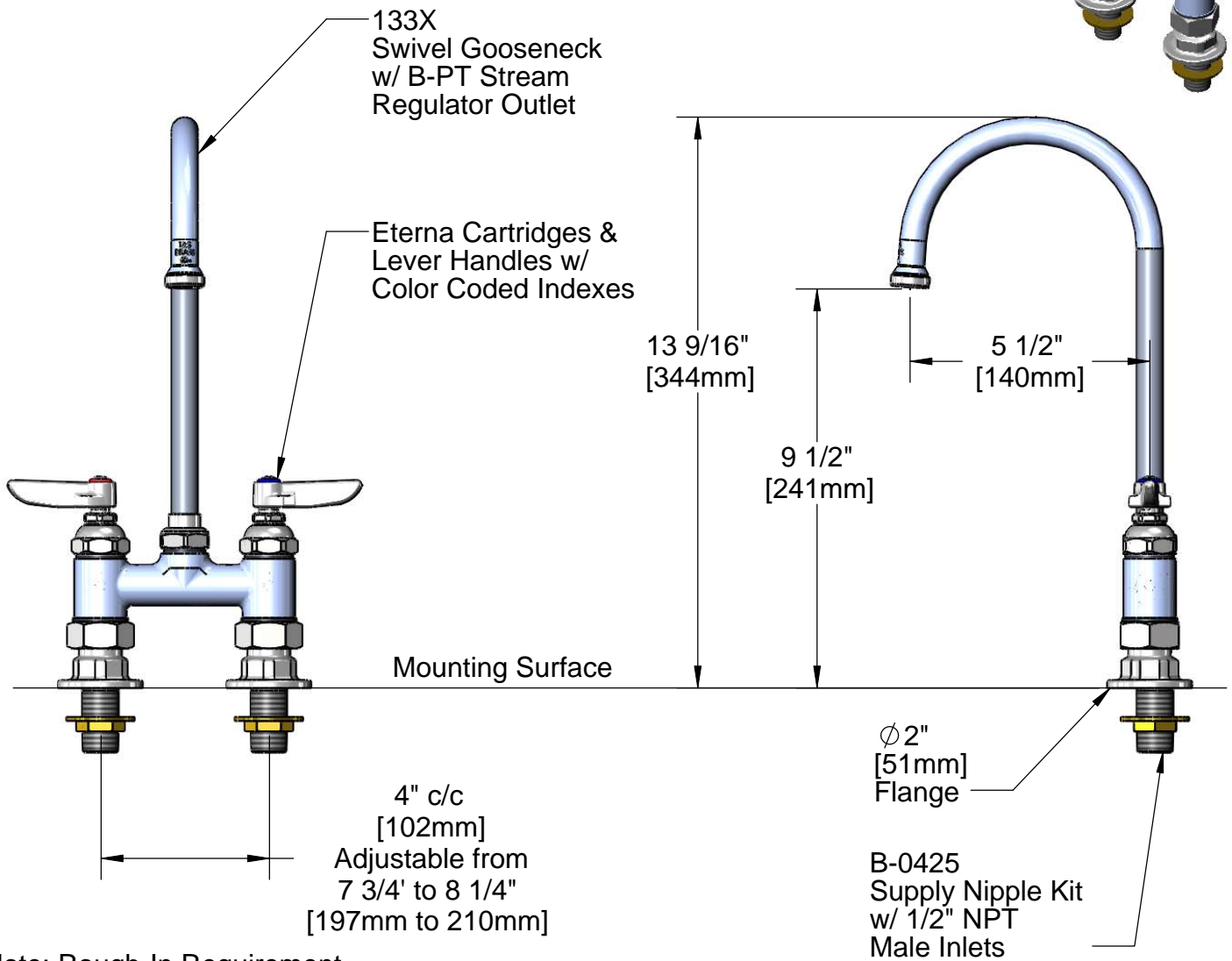
Customer/Wholesaler \_\_\_\_\_

Contractor \_\_\_\_\_

Architect/Engineer \_\_\_\_\_



ADA Compliant



Note: Rough-In Requirement  
(2) Ø 1" [25mm] Mounting Holes

Product Specifications:

8" c/c Double Deck Pantry Mixing Faucet w/ Eterna Cartridges, Lever Handles, Swivel Gooseneck, Stream Regulator Outlet, & 1/2" NPT Male Supply Nipples

Drawn KJG	Checked DHL	Approved JHB
Scale: 1:4		Date: 12/17/10



# T&S BRASS AND BRONZE WORKS, INC.

2 Saddleback Cove / P.O. Box 1088  
Travelers Rest, SC 29690



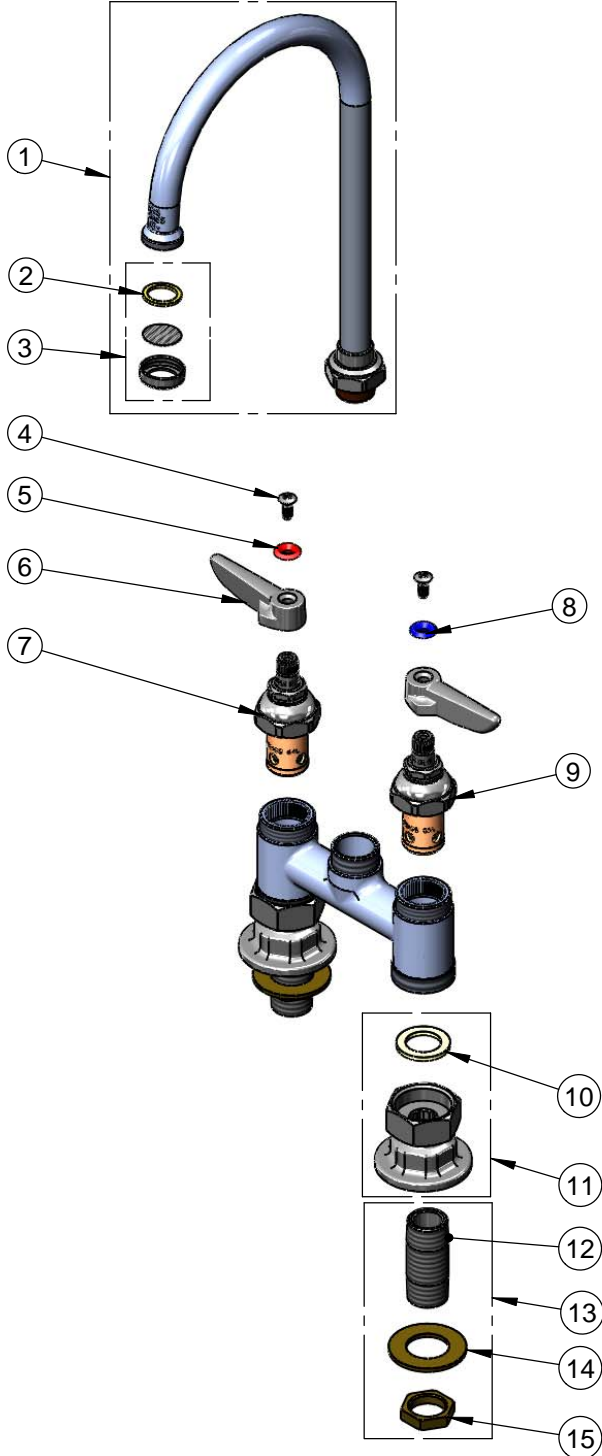
REG. #A2601  
ISO #9001

Model No.

B-0325-NPL

Item No.

Travelers Rest, SC: 800-476-4103 Simi Valley, CA: 800-423-0150 Fax: 864-834-3518 www.tsbrass.com



ITEM NO.	SALES NO.	DESCRIPTION
1	133X	Swivel Gooseneck
2	001048-45	Nozzle Tip Washer
3	B-PT	Stream Regulator Outlet
4	000922-45	Lever Handle Screw
5	001661-45	Red Index-HW
6	001638-45	Lever Handle
7	005960-40	Spindle Asm, Eterna "Hot"
8	001660-45	Blue Index-CW
9	005959-40	Spindle Asm. Eterna "Cold"
10	001019-45	Coupling Nut Washer
11	00AA	Falange Assembly
12	000422-20	Nipple, 1/2" NPT
13	B-0425	Supply Nipple Kit, 1/2" NPT
14	000999-45	Brass Lock Washer
15	002954-45	Shank Lock Nut

Product Specifications:

8" c/c Double Deck Pantry Mixing Faucet w/ Eterna Cartridges, Lever Handles, Swivel Gooseneck, Stream Regulator Outlet, & 1/2" NPT Male Supply Nipples

Drawn KJG	Checked DHL	Approved JHB
Scale: NTS		Date: 12/17/10