



T&S BRASS AND BRONZE WORKS, INC.

2 Saddleback Cove / P.O. Box 1088
Travelers Rest, SC 29690



REG. #A2601
ISO #9001

Model No.

B-0328-CR

Item No.

Travelers Rest, SC: 800-476-4103 Simi Valley, CA: 800-423-0150 Fax: 864-834-3518 www.tsbrass.com

This Space for Architect/Engineer Approval

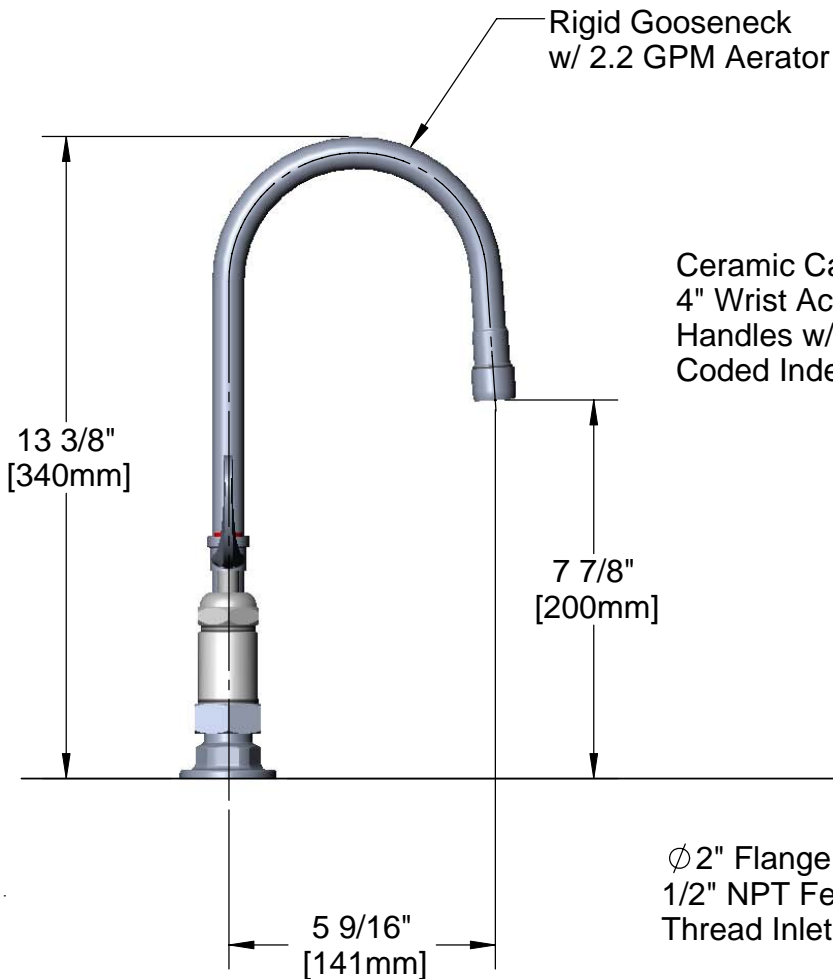
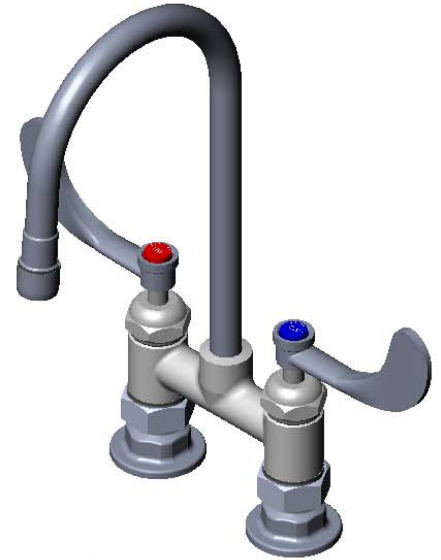
Job Name _____ Date _____

Model Specified _____ Quantity _____

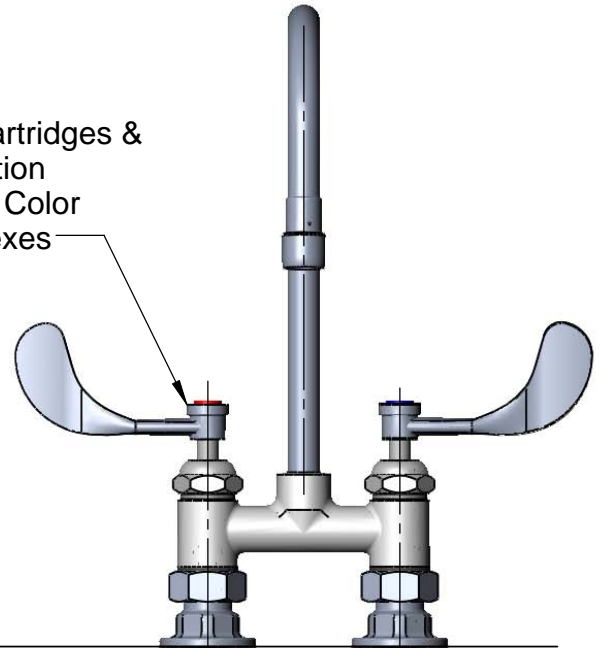
Customer/Wholesaler _____

Contractor _____

Architect/Engineer _____



Ceramic Cartridges & 4" Wrist Action Handles w/ Color Coded Indexes



Ø2" Flange w/ 1/2" NPT Female Thread Inlets

4" C/C [102mm]
Adjustable from 3 3/4" to 4 1/4" [95mm to 108mm]

Product Specifications:

4" c/c Deck Mounted Mixing Faucet w/ Ceramic Cartridges, Rigid Gooseneck, 2.2 GPM Aerator, 4" Wrist Action Handles, and 1/2" NPT Female Inlets

Drawn DMH	Checked DHL	Approved JHB
Scale: 1:4		Date: 01/19/09



T&S BRASS AND BRONZE WORKS, INC.

2 Saddleback Cove / P.O. Box 1088
Travelers Rest, SC 29690



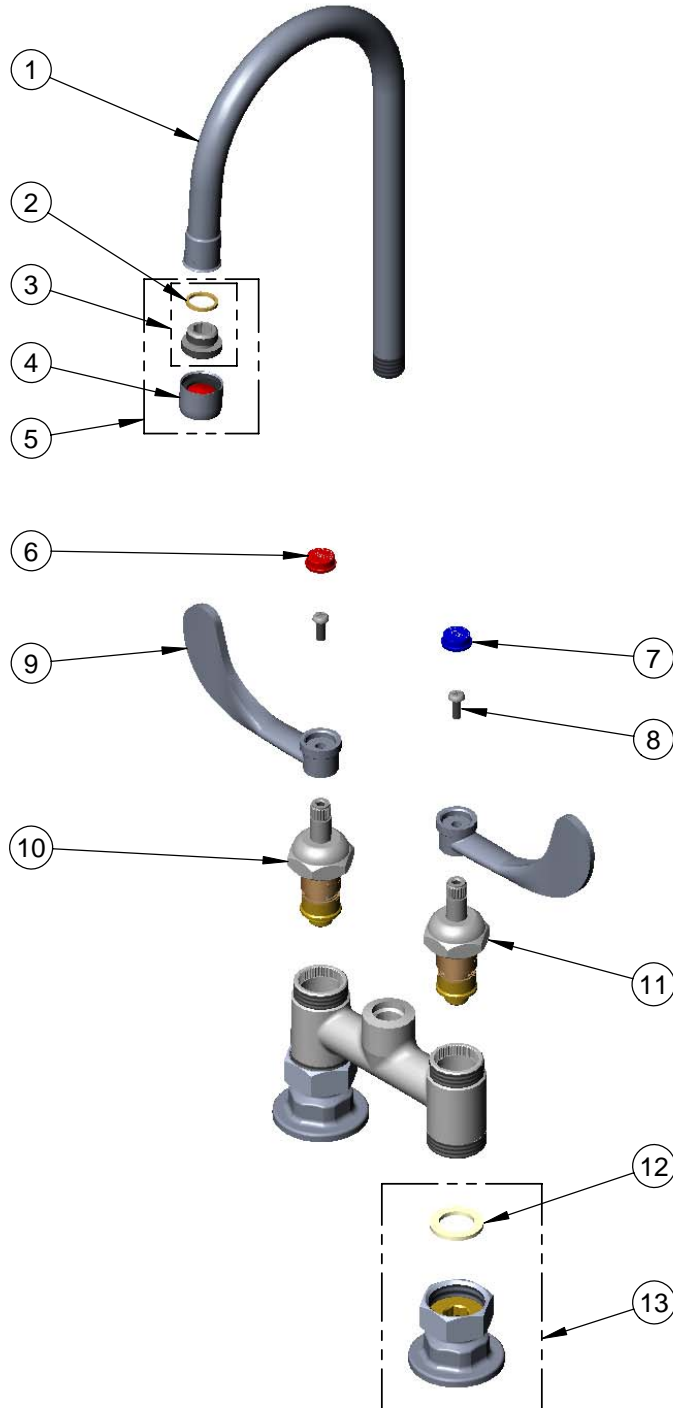
REG. #A2601
ISO #9001

Model No.

B-0328-CR

Item No.

Travelers Rest, SC: 800-476-4103 Simi Valley, CA: 800-423-0150 Fax: 864-834-3518 www.tsbrass.com



ITEM NO.	SALES NO.	DESCRIPTION
1	000398-40	Rigid Gooseneck
2	001043-45	Washer
3	044A	3/8" to Aerator Adapter
4	B-0199-01	2.2 GPM Aerator, Female
5	B-0199-02	2.2 GPM Male Aerator
6	001194-45	Red HW Index
7	001686-45	Blue CW Index
8	000925-45	Lab Handle Screw
9	B-WH4	4" Wrist Action Handle
10	011278-25	Ceramic Cartridge RTC
11	011279-25	Ceramic Cartridge LTC
12	001019-45	Coupling Nut Washer
13	00AA	Coupling Flange Asm

Product Specifications:

4" c/c Deck Mounted Mixing Faucet w/ Ceramic Cartridges, Rigid Gooseneck, 2.2 GPM Aerator, 4" Wrist Action Handles, and 1/2" NPT Female Inlets

Drawn DMH	Checked DHL	Approved JHB
Scale: 1:4		Date: 01/19/09