



T&S BRASS AND BRONZE WORKS, INC.

2 SADDLEBACK COVE / P.O. BOX 1088 / TRAVELERS REST, SC 29690
PHONE 800-476-4103 FAX 864- 834-3518



REG.#A2601
ISO #9002

Model No.

B-0330-BST

Item No.:

Job Name:

Architect/Engineer Approval:

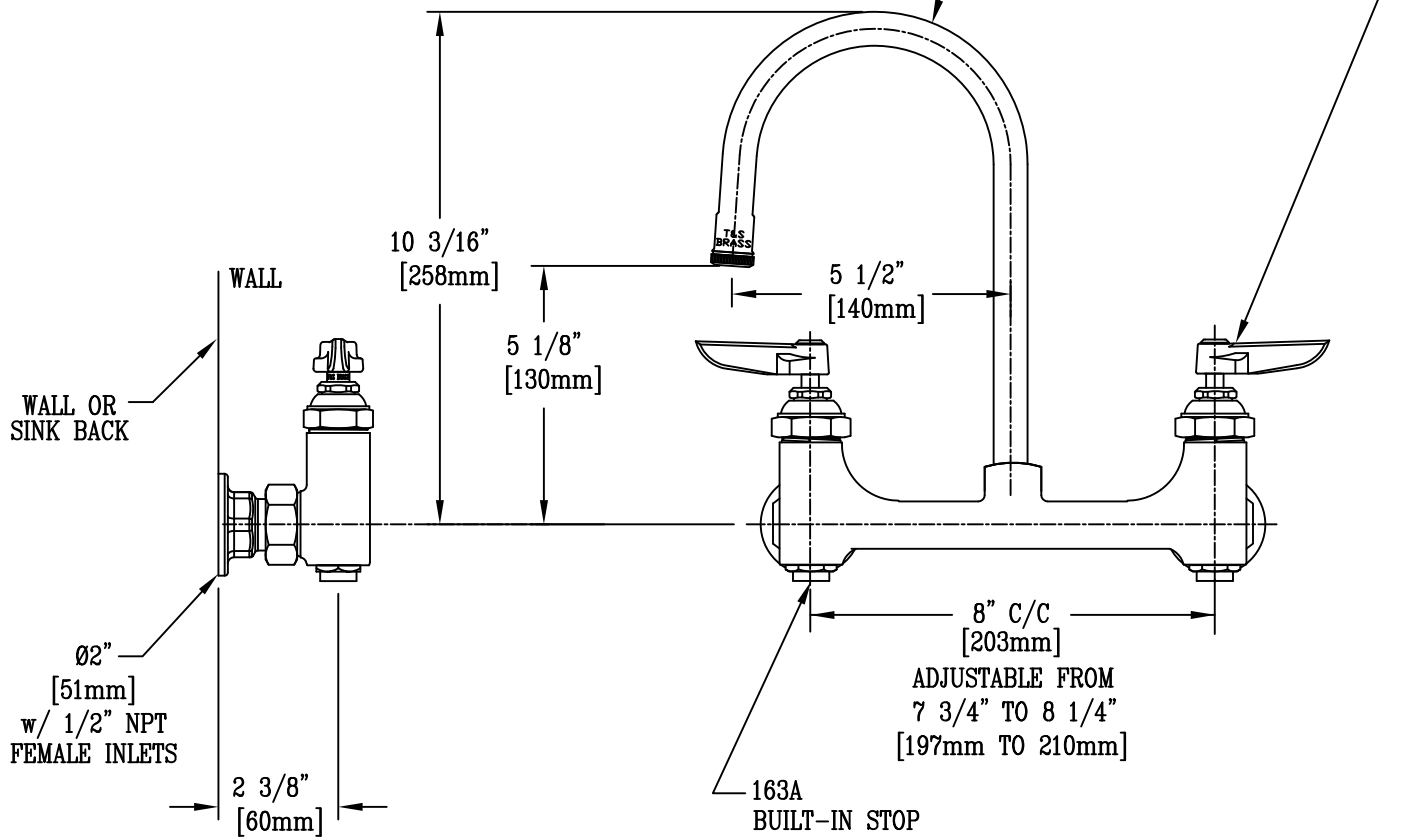
Notes:



ADA COMPLIANT

120X RIGID GOOSENECK
w/ B-LT STREAM REGULATOR

ETERNA CARTRIDGES
w/ LEVER HANDLES
& COLOR CODED INDEXES



NOTES :

1. ALSO AVAILABLE w/ B-WH4 OR B-WH6 WRIST ACTION HANDLES.
2. ALSO AVAILABLE WITH MODEL #B-SD SOAP DISH
3. ALSO AVAILABLE WITH B-0199-01 NON-SPLASH AERATOR.
4. BST PROVIDES INDIVIDUAL SHUT-OFF OF EACH VALVE WHEN MAINTENANCE IS REQUIRED.

Product Description:

8" c/c RIGID WALL MOUNT FAUCET, 120X RIGID GOOSENECK w/ STREAM REGULATOR, Ø2" WALL FLANGES w/ 1/2" NPT ADJUSTABLE FEMALE INLETS & BUILT-IN STOPS

Drawn:

DHL

Checked

KJG

Scale:

1:4

Approved

JHB

Date:

07/01/10