



# T&S BRASS AND BRONZE WORKS, INC.

2 Saddleback Cove / P.O. Box 1088  
Travelers Rest, SC 29690



REG. #A2601  
ISO #9001

Model No.

**B-0330**

Item No.

Travelers Rest, SC: 800-476-4103 • Simi Valley, CA: 800-423-0150 • Fax: 864-834-3518 • www.tsbrass.com

This Space for Architect/Engineer Approval

Job Name \_\_\_\_\_ Date \_\_\_\_\_

Model Specified \_\_\_\_\_ Quantity \_\_\_\_\_

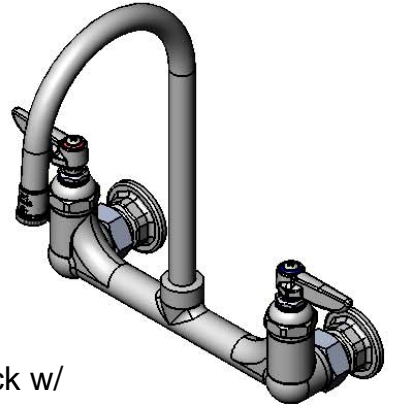
Customer/Wholesaler \_\_\_\_\_

Contractor \_\_\_\_\_

Architect/Engineer \_\_\_\_\_

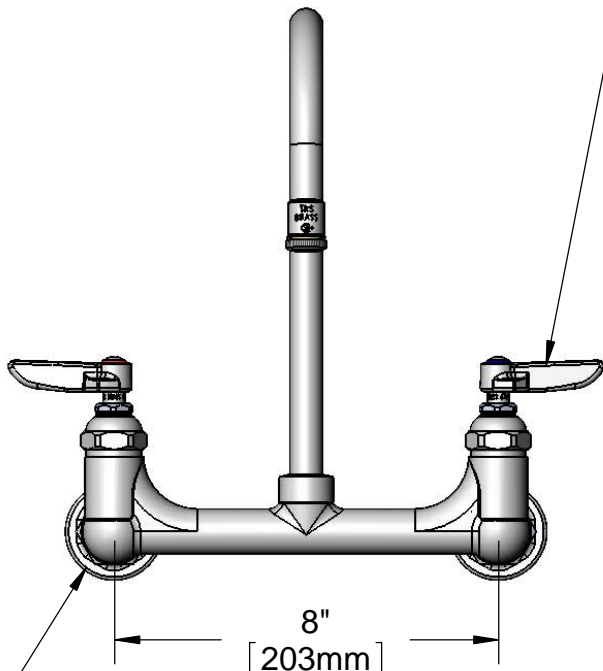


**ADA Compliant**

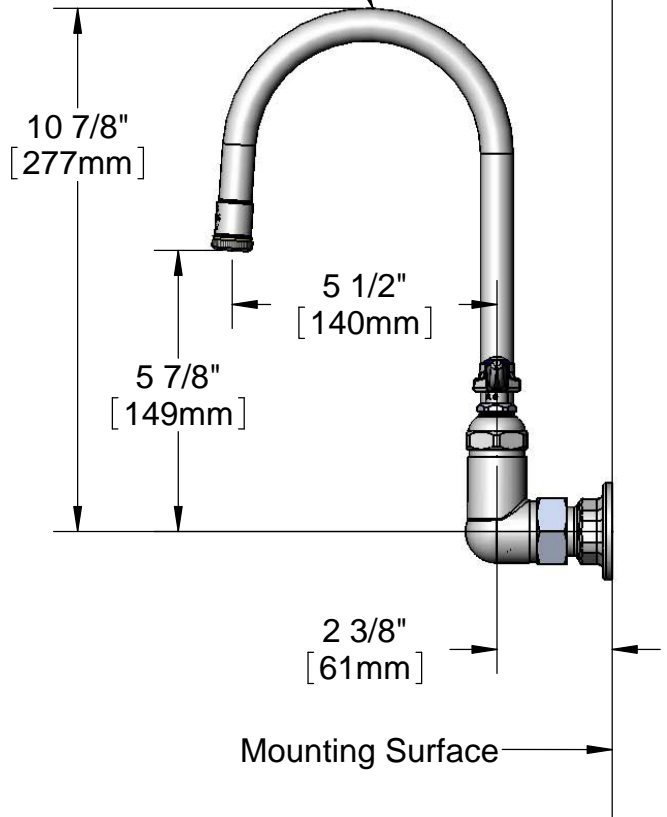


Eterna Cartridges &  
Lever Handles w/  
Color Coded Indexes

120X  
Rigid Gooseneck w/  
B-LT  
Stream Regulator



8"  
[203mm]  
Adjustable From  
7 3/4" to 8 1/4"  
[197mm to 210mm]



10 7/8"  
[277mm]

5 7/8"  
[149mm]

5 1/2"  
[140mm]

2 3/8"  
[61mm]

Mounting Surface

Ø 2" [51mm]  
Flanges w/  
1/2" NPT  
Female Inlets

**Product Specifications:**

8" c/c Mixing Faucet (Wall Mount), 120X Rigid Gooseneck w/ B-LT Stream Regulator, Lever Handles & 1/2" NPT Female Inlets

Drawn

**DHL**

Checked

**KJG**

Approved

**JHB**

Scale:

**1:4**

Date:

**06/17/11**



**T&S BRASS AND BRONZE WORKS, INC.**

2 Saddleback Cove / P.O. Box 1088  
 Travelers Rest, SC 29690



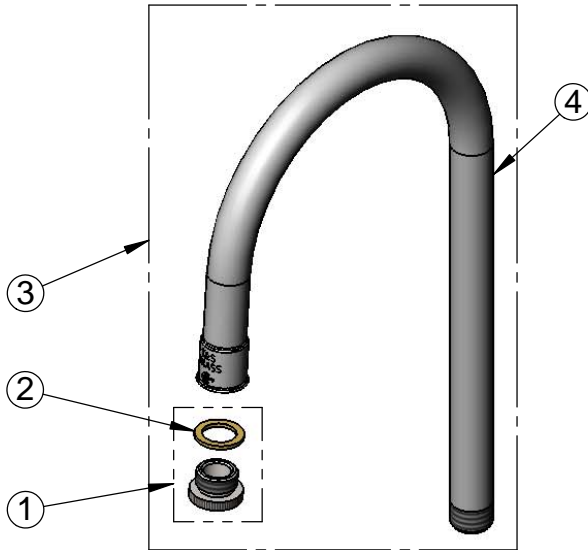
REG. #A2601  
 ISO #9001

Model No.

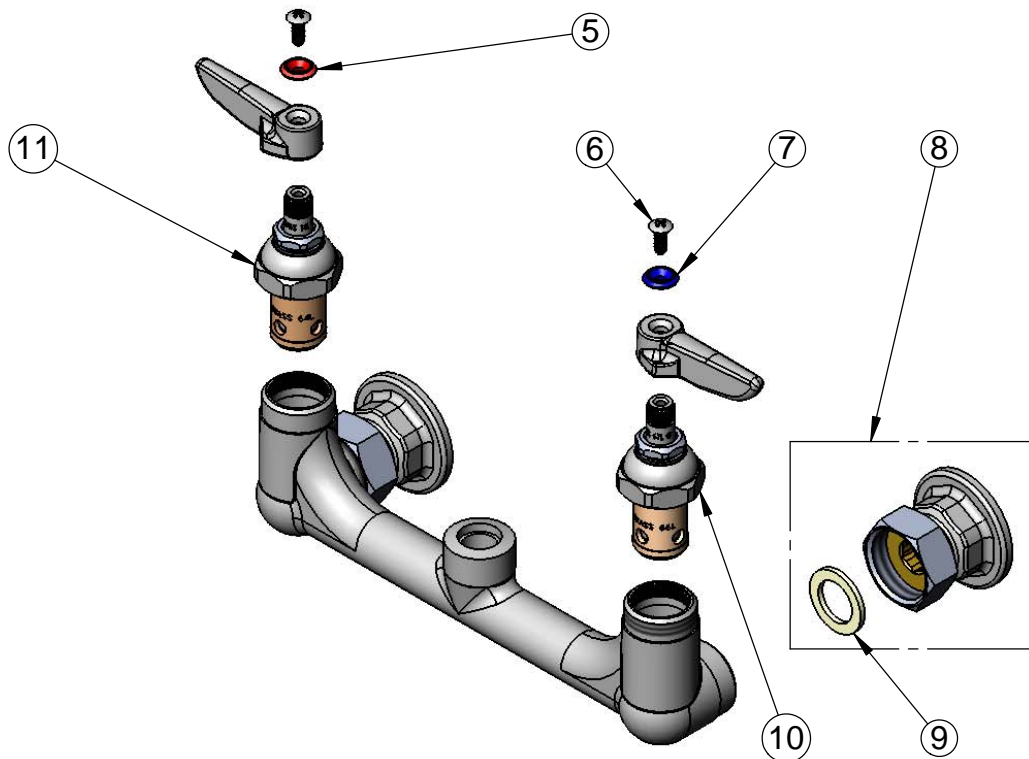
**B-0330**

Item No.

Travelers Rest, SC: 800-476-4103 • Simi Valley, CA: 800-423-0150 • Fax: 864-834-3518 • www.tsbrass.com



ITEM NO.	SALES NO.	DESCRIPTION
1	B-LT	Stream Regulator Outlet
2	001043-45	Washer
3	120X	Rigid Goosneck w/ B-LT Tip
4	000398-40	Rigid Goosneck
5	001661-45	Red Index-HW
6	000922-45	Lever Handle Screw
7	001660-45	Blue Index-CW
8	00AA	Wall Coupling Flange
9	001019-45	Coupling Nut Washer
10	005959-40	Eterna Cartridge - LTC
11	005960-40	Eterna Cartridge - RTC



Product Specifications:  
 8" c/c Mixing Faucet (Wall Mount), 120X Rigid Goosneck w/ B-LT Stream Regulator, Lever Handles & 1/2" NPT Female Inlets

Drawn <b>DHL</b>	Checked <b>KJG</b>	Approved <b>JHB</b>
Scale: <b>NTS</b>		Date: <b>06/17/11</b>