



T&S BRASS AND BRONZE WORKS, INC.

2 Saddleback Cove / P.O. Box 1088
Travelers Rest, SC 29690



REG. #A2601
ISO #9001

Model No.
B-0340-LN

Item No.

Travelers Rest, SC: 800-476-4103 Simi Valley, CA: 800-423-0150 Fax: 864-834-3518 www.tsbrass.com

This Space for Architect/Engineer Approval

Job Name _____ Date _____

Model Specified _____ Quantity _____

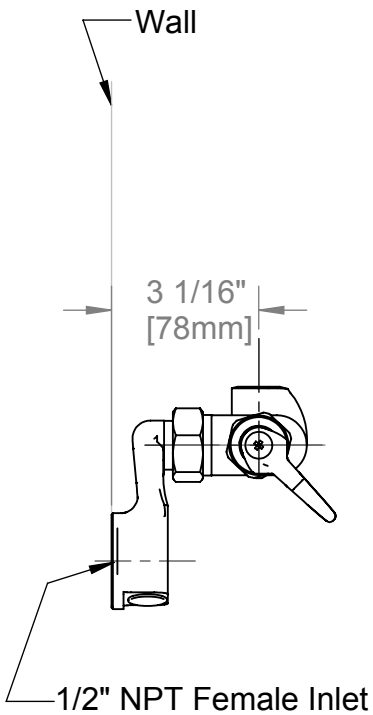
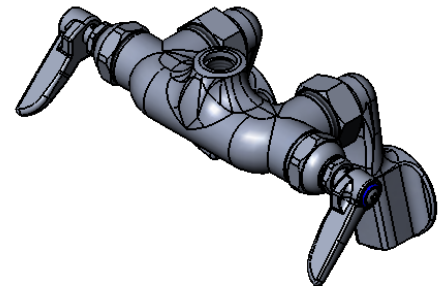
Customer/Wholesaler _____

Contractor _____

Architect/Engineer _____



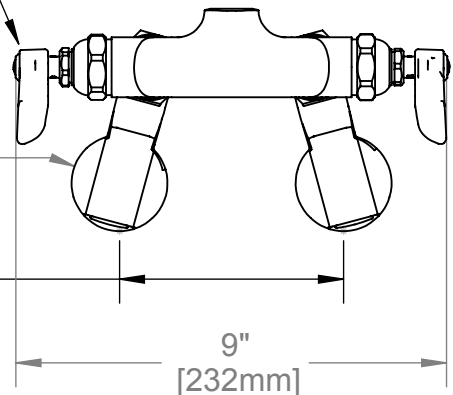
ADA Compliant



Lever Handles w/
Color Coded Indexes

Inlets Adjustable from
2 1/4" to 8 1/4" cc
[57mm] to [210mm]
Below or Above Centerline

Ø2" [51mm]



Product Specifications:

Combination Sink Polish Chrome Faucet w/ Adjustable
Inlet Arms Less Gooseneck

Drawn
ARH

Checked
DHL

Approved
JHB

Scale:

1:4

Date:

12/20/07

Sheet: 1 of 2



T&S BRASS AND BRONZE WORKS, INC.

2 Saddleback Cove / P.O. Box 1088
Travelers Rest, SC 29690



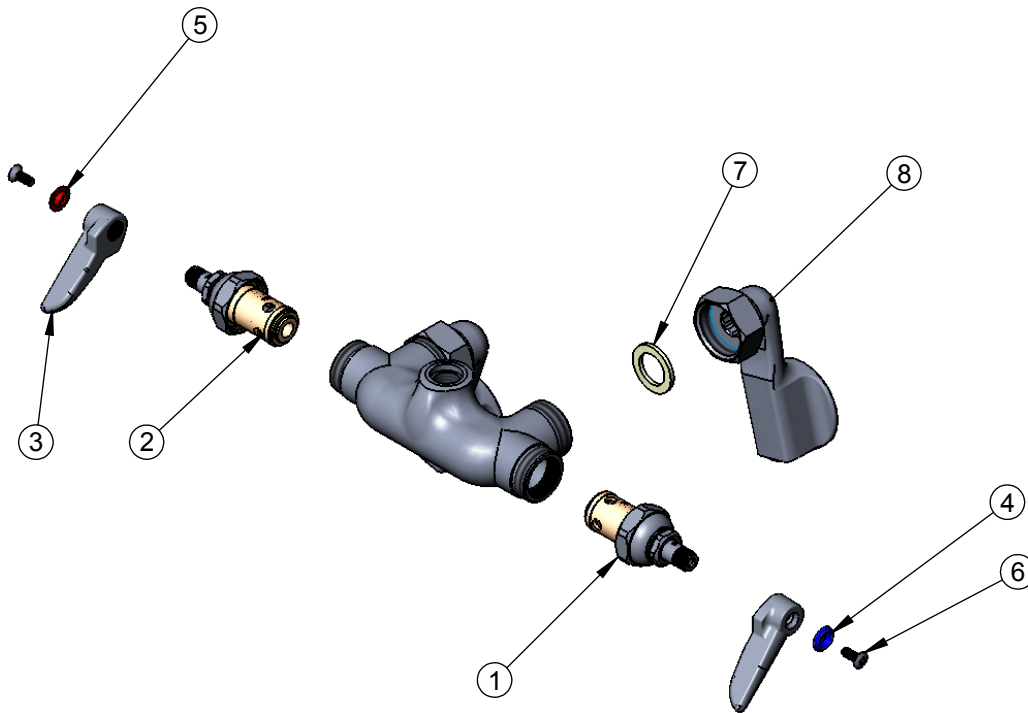
REG. #A2601
ISO #9001

Model No.
B-0340-LN

Item No.

Travelers Rest, SC: 800-476-4103 Simi Valley, CA: 800-423-0150 Fax: 864-834-3518 www.tsbrass.com

ITEM NO.	SALES NO.	DESCRIPTION
1	005959-40	Eterna ASM. Cold
2	005960-40	Eterna ASM. Hot
3	001638-45	Lever Handle
4	001660-45	Blue Index-CW
5	001661-45	Red Index-HW
6	000922-45	Lever Handle Screw
7	001019-45	Washer, Coupling Nut
8	00GG	Flange Assembly, 1/2" NPT, Adjustable



Product Specifications:

Combination Sink Polish Chrome Faucet w/ Adjustable
Inlet Arms Less Gooseneck

Drawn

ARH

Checked

DHL

Approved

JHB

Scale:

1:4

Date:

12/20/07