



T&S BRASS AND BRONZE WORKS, INC.

2 Saddleback Cove / P.O. Box 1088
Travelers Rest, SC 29690



REG. #A2601
ISO #9001

Model No.

B-0340

Item No.

Travelers Rest, SC: 800-476-4103 • Simi Valley, CA: 800-423-0150 • Fax: 864-834-3518 • www.tsbrass.com

This Space for Architect/Engineer Approval

Job Name _____ Date _____

Model Specified _____ Quantity _____

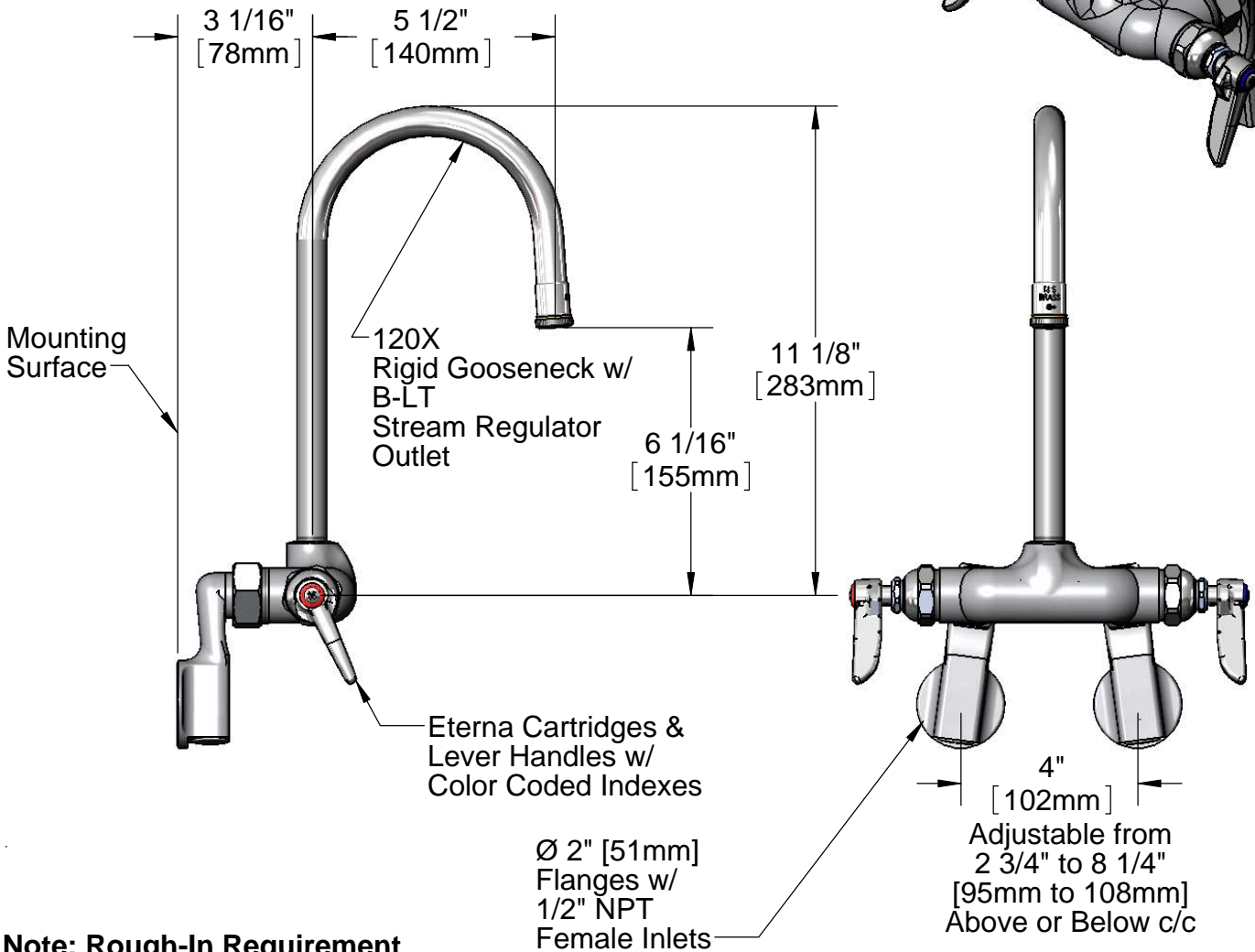
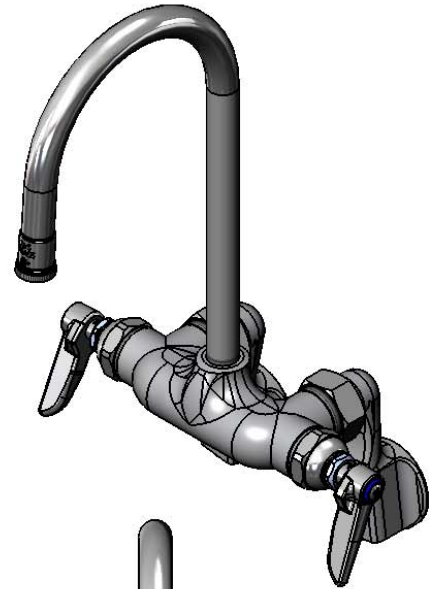
Customer/Wholesaler _____

Contractor _____

Architect/Engineer _____



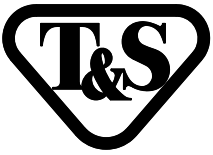
ADA Compliant



Note: Rough-In Requirement
(2) Ø 1" [25mm] Mounting Holes

Product Specifications:
Combination Sink Faucet w/ Eterna Cartridges, Rigid Gooseneck w/ B-LT Stream Regulator Outlet, Lever Handles & Adjustable Inlet

Drawn DHL	Checked JRM	Approved JHB
Scale: 1:4		Date: 02/17/11



T&S BRASS AND BRONZE WORKS, INC.

2 Saddleback Cove / P.O. Box 1088
Travelers Rest, SC 29690



REG. #A2601
ISO #9001

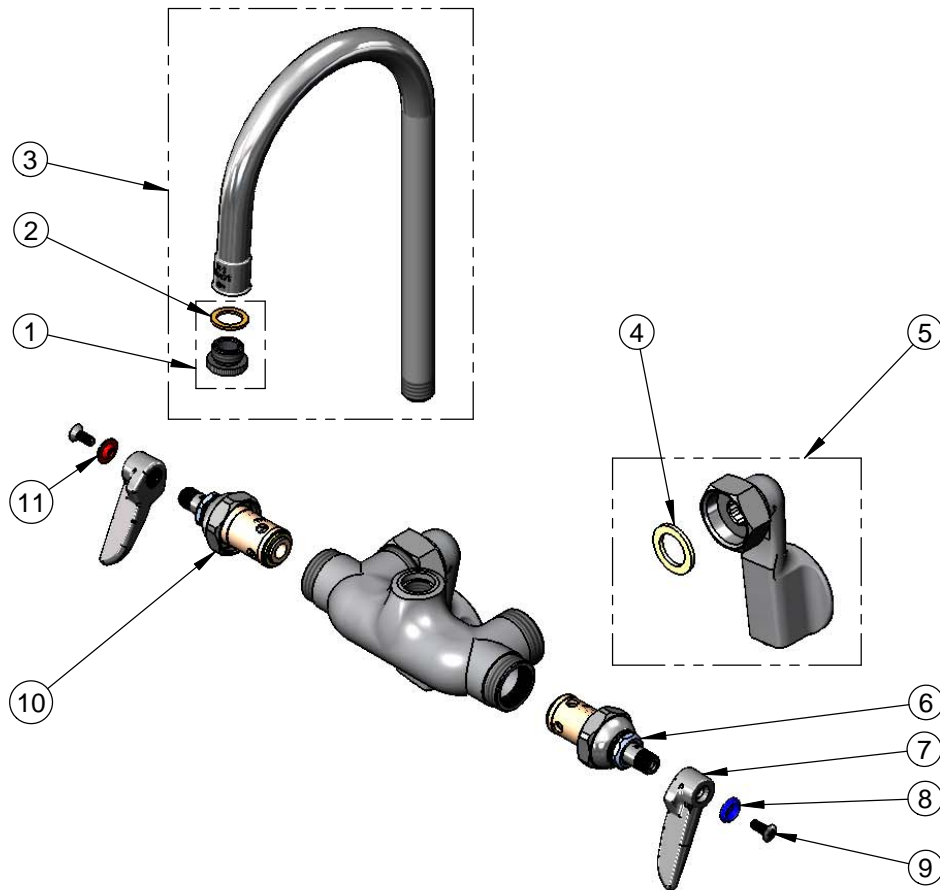
Model No.

B-0340

Item No.

Travelers Rest, SC: 800-476-4103 • Simi Valley, CA: 800-423-0150 • Fax: 864-834-3518 • www.tsbrass.com

ITEM NO.	SALES NO.	DESCRIPTION
1	B-LT	Stream Regulator Outlet
2	001043-45	Washer
3	120X	Rigid Gooseneck Assembly w/ B-LT Stream Regulator
4	001019-45	Coupling Nut Washer
5	00GG	1/2" NPT Female Adjustable Inlet Assembly
6	005959-40	Spindle Asm, Eterna "Cold"
7	001638-45	Lever Handle
8	001660-45	Blue Index-CW
9	000922-45	Lever Handle Screw
10	005960-40	Spindle Asm, Eterna "Hot"
11	001661-45	Red Index-HW



Product Specifications:
Combination Sink Faucet w/ Eterna Cartridges, Rigid Gooseneck w/ B-LT Stream Regulator Outlet, Lever Handles & Adjustable Inlet

Drawn

DHL

Checked

JRM

Approved

JHB

Scale:

NTS

Date:

02/17/11