



T&S BRASS AND BRONZE WORKS, INC.
 2 SADDLEBACK COVE / P.O. BOX 1088 / TRAVELERS REST, SC 29690
 PHONE 800-476-4103 FAX 803-834-3518



Model No.

B-0342-LN

Item No.:

REG.#A2601
ISO #9002

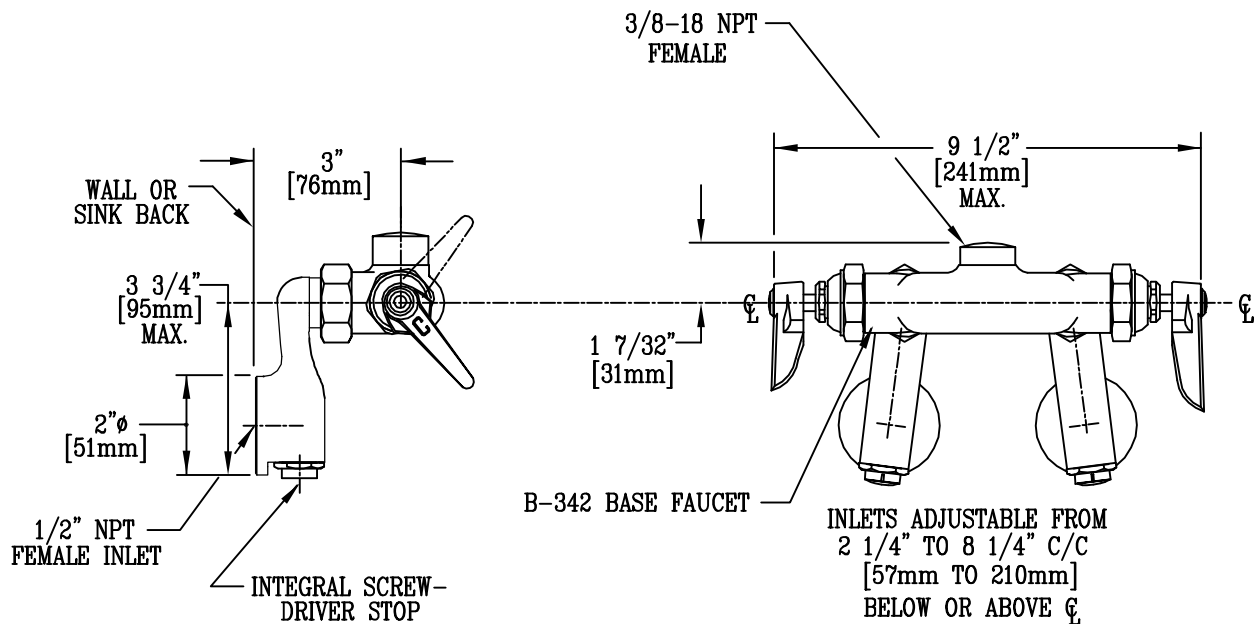
Job Name:

Architect/Engineer Approval:

Notes:



ADA COMPLIANT



NSF STANDARD 61, SECTION 9 CERTIFIED.

Product Description:

COMBINATION SINK FAUCET LESS GOOSENECK,
 WITH ADJUSTABLE INLET ARMS & INTEGRAL STOPS

Drawn:

LEL

Approved

MVW

Checked

JKD

Scale:

1 : 4

Date:

9/11/02