



**T&S BRASS AND BRONZE WORKS, INC.**  
 2 SADDLEBACK COVE / P.O. BOX 1088 / TRAVELERS REST, SC 29690  
 PHONE 800-476-4103 FAX 864-834-3518



Model No.

B-0345

Item No.:

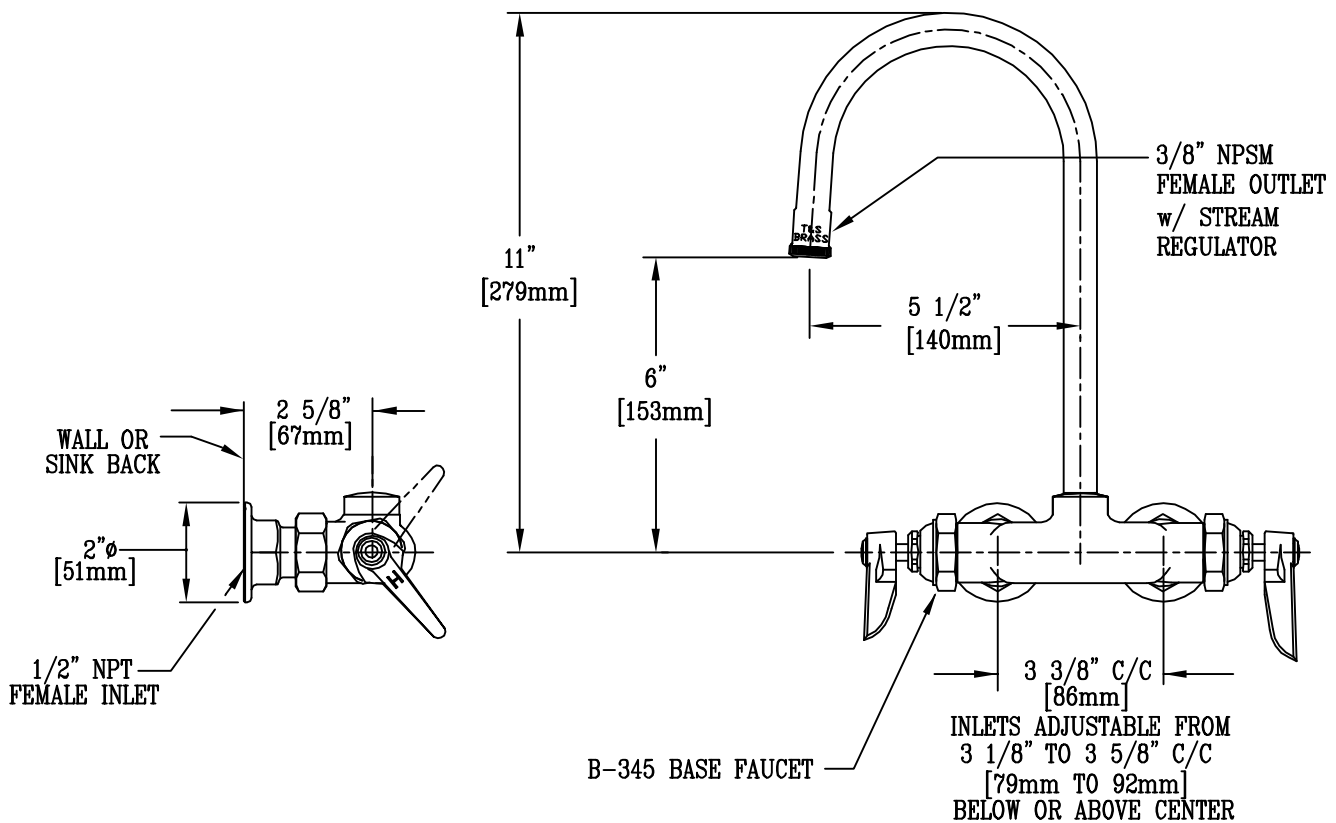
Job Name:

Architect/Engineer Approval:

Notes:



ADA COMPLIANT



NSF STANDARD 61, SECTION 9 CERTIFIED.

Product Description:

3 3/8" c/c WALL MOUNTED MIXING FCT. w/  
 120X RIGID GOOSENECK, STREAM REGULATOR, LEVER  
 HANDLES, & 1/2" NPT FEMALE INLETS

Drawn:

WJS

Approved

MVW

Checked

MVW

Scale:

1 : 4

Date:

6-16-99