



T&S BRASS AND BRONZE WORKS, INC.

2 SADDLEBACK COVE / P.O. BOX 1088 / TRAVELERS REST, SC 29690

PHONE 800-476-4103

FAX 864-834-3518



REG. #A2601
ISO #9002

Model No.

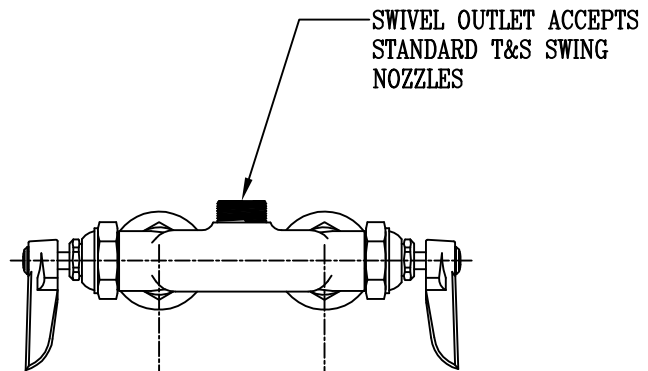
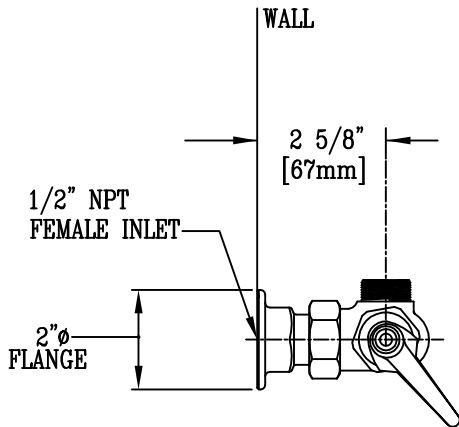
B-0346-LN

Item No.:

Job Name:

Architect/Engineer Approval:

Notes:



3 3/8" C/C
[86mm]
INLETS ADJUSTABLE FROM
3 1/8" TO 3 5/8" C/C
[79mm TO 92mm]
BELOW OR ABOVE CENTER

Product Description:

WALL MOUNTED 3 3/8" c/c ADJUSTABLE INLET
FAUCET LESS NOZZLE

Drawn:

WJS

Approved

JHB

Checked

JHB

Scale:

1 : 4

Date:

02/02/06