



**T&S BRASS AND BRONZE WORKS, INC.**  
 2 SADDLEBACK COVE / P.O. BOX 1088 / TRAVELERS REST, SC 29690  
 PHONE 800-476-4103 FAX 864-834-3518



Model No.

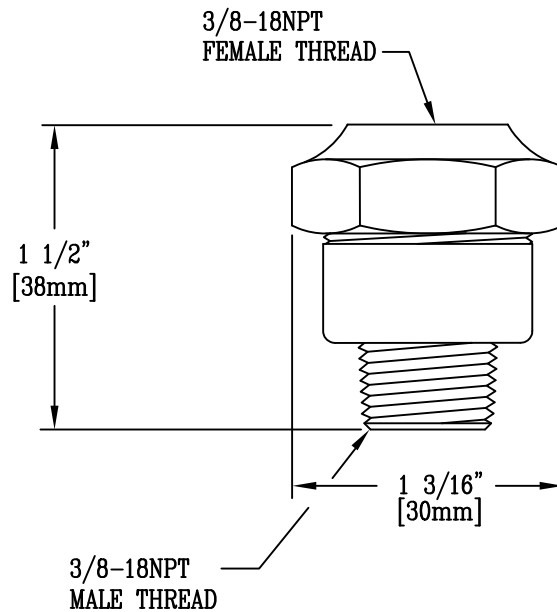
B-0414

Item No.:

Job Name:

Architect/Engineer Approval:

Notes:



**NOTE:**

ADAPTS ANY 3/8" NPT PIPE GOOSENECK TO FAUCETS WITH  
 3/8" NPT OUTLET PROVIDING EITHER A SWIVEL OR UNION CONNECTION.

Product Description:

3/8"NPT FEMALE x 3/8"NPT MALE COUPLING

Drawn:

KJG

Checked

DHL

Scale:

1' = 1'

Approved

JHB

Date:

11/11/08