



T&S BRASS AND BRONZE WORKS, INC.
 2 SADDLEBACK COVE / P.O. BOX 1088 / TRAVELERS REST, SC 29690
 PHONE 800-476-4103 FAX 864-834-3518



Model No.

B-0440

Item No.:

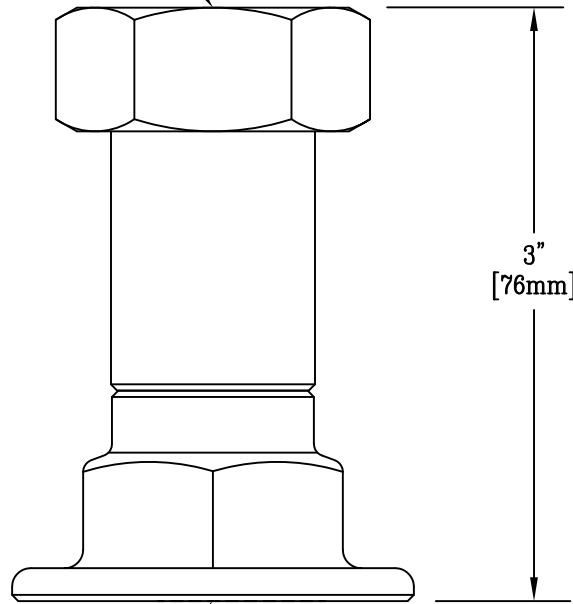
REG.#A2601
ISO #9002

Job Name:

Architect/Engineer Approval:

Notes:

FAUCET FLANGE COUPLING
 NUT FITS STANDARD T&S
 FAUCET BODIES



1/2" NPT FEMALE
 ECCENTRIC INLET

NOTE:

ADDS 1-3/4" [44mm] LENGTH TO STANDARD 00AA INLET

Product Description:

3" INLET EXTENSION (1/2" NPT FEMALE)

Drawn:

MCW

Checked

JKD

Scale:

1' = 1'

Approved

CA

Date:

8/10/95