



T&S BRASS AND BRONZE WORKS, INC.
 2 SADDLEBACK COVE / P.O. BOX 1088 / TRAVELERS REST, SC 29690
 PHONE 800-476-4103 FAX 803- 834-3518



Model No.

B-0442

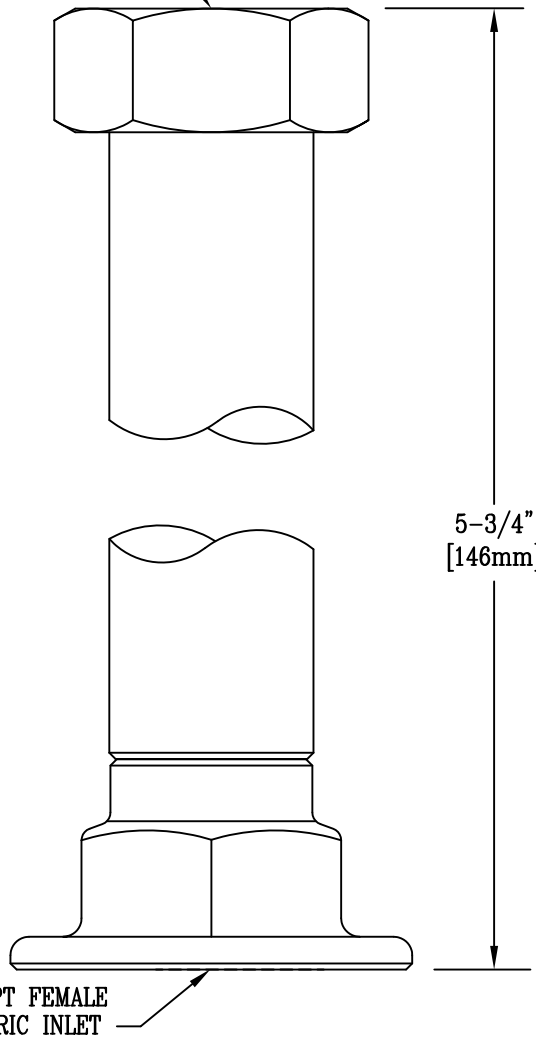
Item No.:

Job Name:

Architect/Engineer Approval:

Notes:

FAUCET FLANGE COUPLING
 NUT FITS STANDARD T&S
 FAUCET BODIES



1/2" NPT FEMALE
 ECCENTRIC INLET

5-3/4"
 [146mm]

NOTE:

ADDS 4-1/2" [114mm] LENGTH TO STANDARD 00AA INLET

Product Description:

5-3/4" INLET EXTENSION (1/2" NPT FEMALE)

Drawn:

MCW

Approved

CA

Checked

JKD

Scale:

1' = 1'

Date:

8/10/95