



T&S BRASS AND BRONZE WORKS, INC.

2 Saddleback Cove / P.O. Box 1088
Travelers Rest, SC 29690

Model No.

B-0473

Item No.

Travelers Rest, SC: 800-476-4103 • Simi Valley, CA: 800-423-0150 • Fax: 864-834-3518 • www.tsbrass.com

This Space for Architect/Engineer Approval

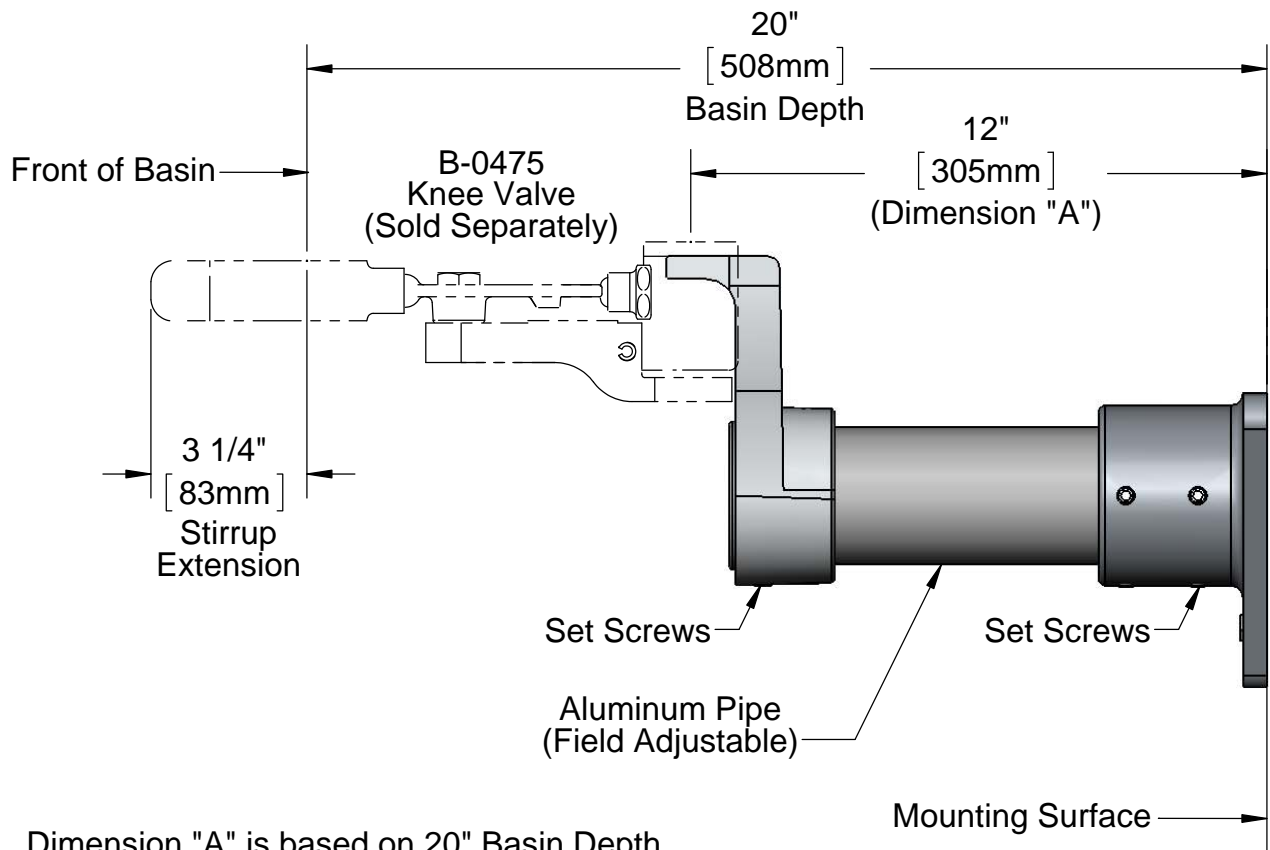
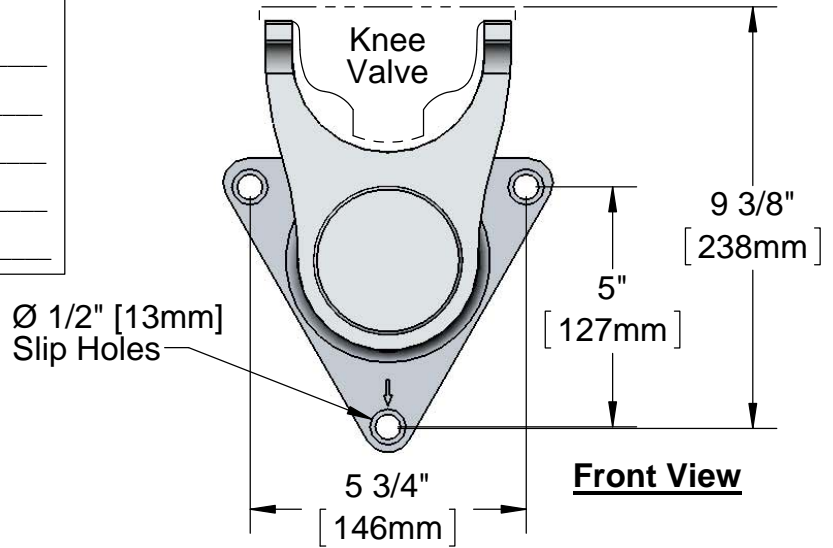
Job Name _____ Date _____

Model Specified _____ Quantity _____

Customer/Wholesaler _____

Contractor _____

Architect/Engineer _____



- Note:**
1. Dimension "A" is based on 20" Basin Depth.
 2. Aluminum Pipe available in longer lengths.

Product Specifications:
Knee Valve Wall Support

Drawn DHL	Checked DMH	Approved JHB
Scale: 1:4		Date: 01/05/12