



T&S BRASS AND BRONZE WORKS, INC.

2 Saddleback Cove / P.O. Box 1088
Travelers Rest, SC 29690



REG. #A2601
ISO #9001

Model No.

B-0475

Item No.

Travelers Rest, SC: 800-476-4103 • Simi Valley, CA: 800-423-0150 • Fax: 864-834-3518 • www.tsbrass.com

This Space for Architect/Engineer Approval

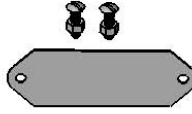
Job Name _____ Date _____

Model Specified _____ Quantity _____

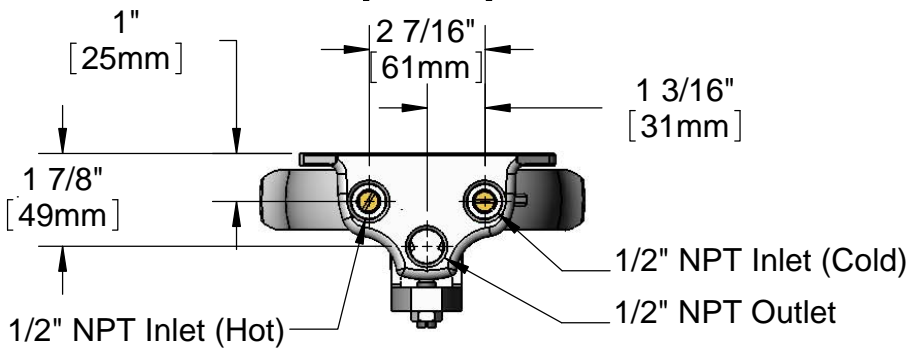
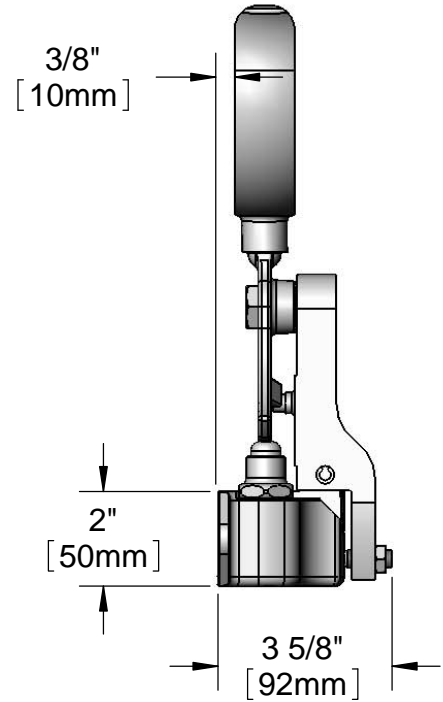
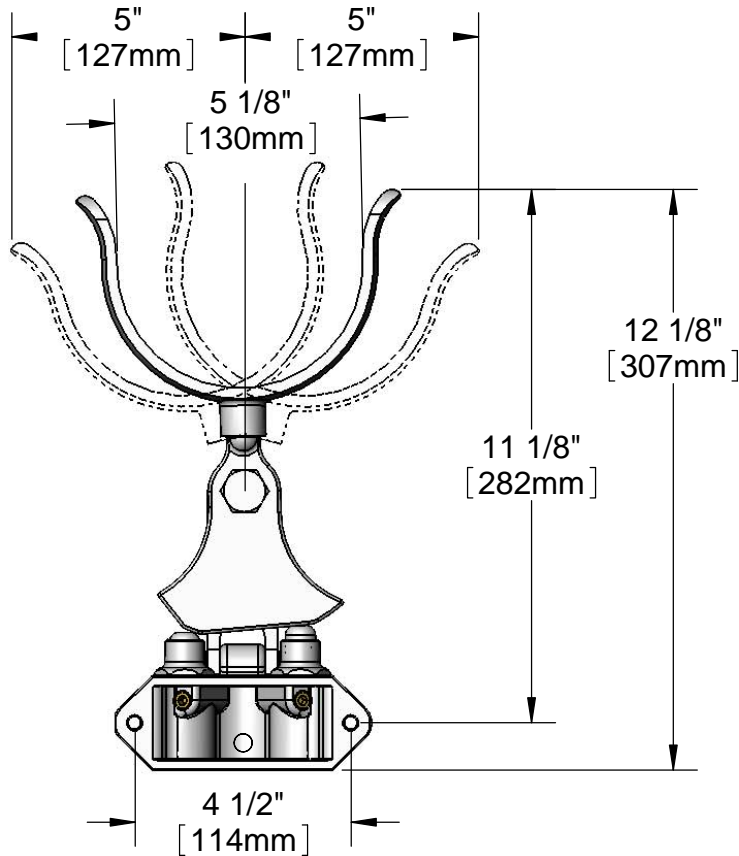
Customer/Wholesaler _____

Contractor _____

Architect/Engineer _____



Furnished with Cover Plate,
1/4"-20 Screws and Nuts



Product Specifications:
Knee Action Valve

Drawn

DMH

Checked

KJG

Approved

JHB

Scale:

1:4

Date:

09/30/11



T&S BRASS AND BRONZE WORKS, INC.

2 Saddleback Cove / P.O. Box 1088
Travelers Rest, SC 29690



REG. #A2601
ISO #9001

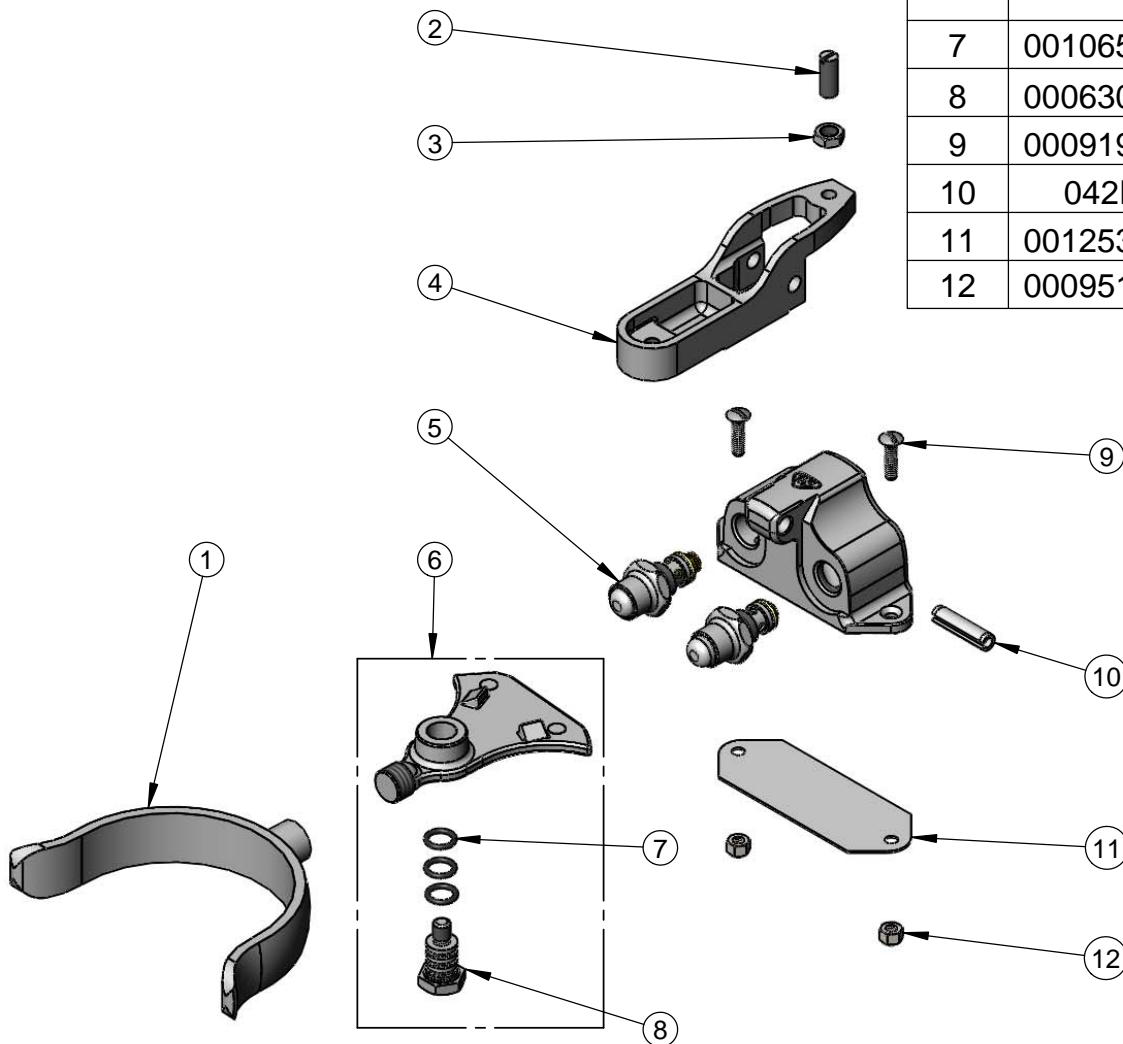
Model No.

B-0475

Item No.

Travelers Rest, SC: 800-476-4103 • Simi Valley, CA: 800-423-0150 • Fax: 864-834-3518 • www.tsbrass.com

ITEM NO.	SALES NO.	DESCRIPTION
1	000125-40	Knee Stirrup
2	001123-45	Nylon Set Screw
3	000952-45	Nut
4	000124-40	Cantilever
5	002983-40	Bonnet Assembly
6	000123-40	B-0475 Cam, Cam Bolt & (3) O-Rings
7	001065-45	O-Ring (1)
8	000630-40	Cam Bolt
9	000919-45	Screw
10	042P	Roll Pin
11	001253-45	Cover Plate
12	000951-45	Nylon Lock Nut



Product Specifications:
Knee Action Valve

Drawn

DMH

Checked

KJG

Approved

JHB

Scale:

NTS

Date:

09/30/11