



T&S BRASS AND BRONZE WORKS, INC.
 2 Saddleback Cove / P.O. Box 1088
 Travelers Rest, SC 29690

Model No.
B-0504-03

Item No.

Travelers Rest, SC: 800-476-4103 • Simi Valley, CA: 800-423-0150 • Fax: 864-834-3518 • www.tsbrass.com

This Space for Architect/Engineer Approval

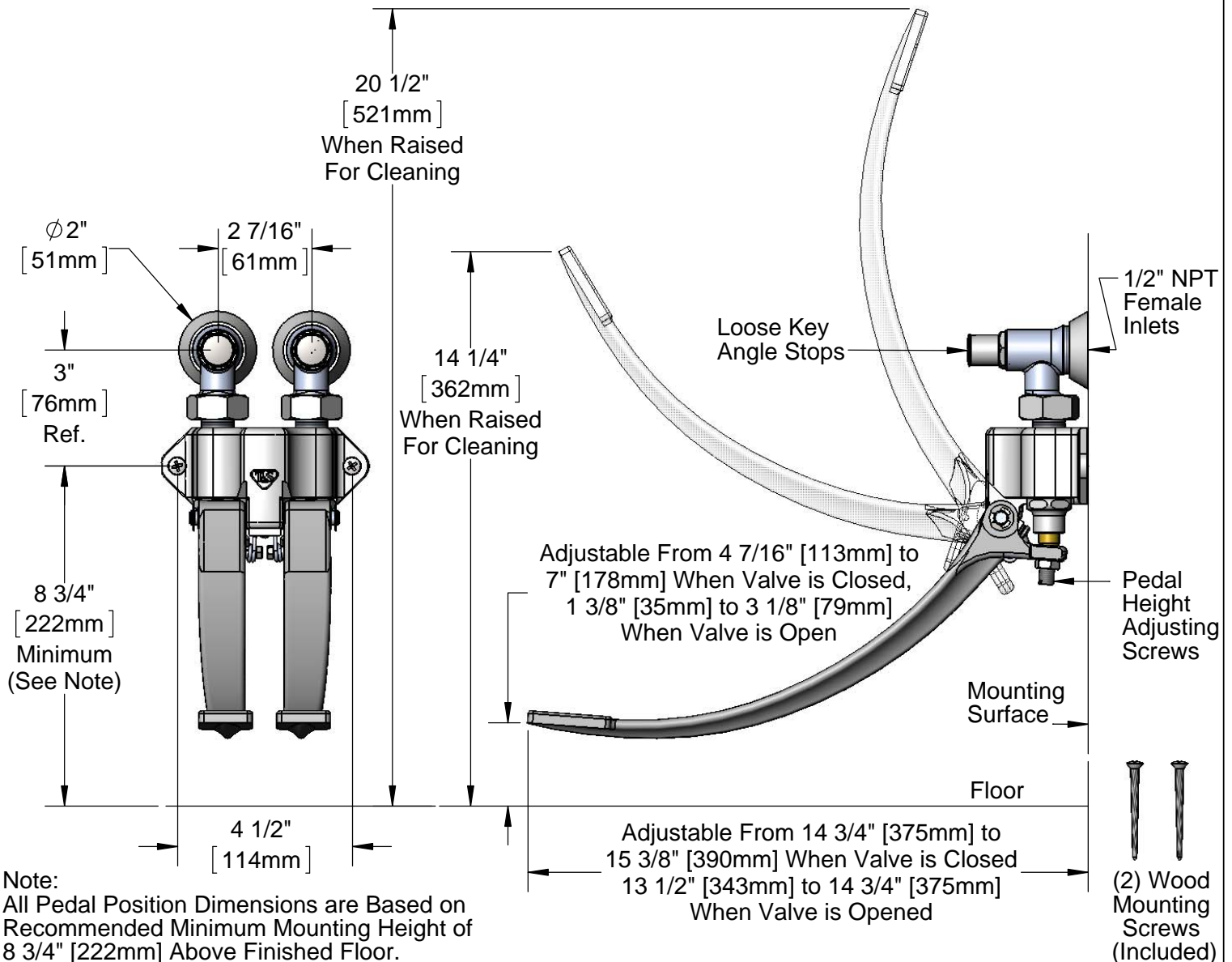
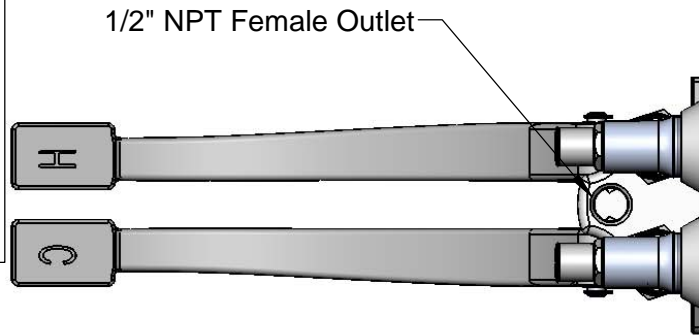
Job Name _____ Date _____

Model Specified _____ Quantity _____

Customer/Wholesaler _____

Contractor _____

Architect/Engineer _____



Note:
 All Pedal Position Dimensions are Based on Recommended Minimum Mounting Height of 8 3/4" [222mm] Above Finished Floor.

Product Specifications:
 Double Pedal Valve w/ Loose Key Angle Stops,

Drawn DHL	Checked DMH	Approved JHB
Scale: 1:4		Date: 11/02/12



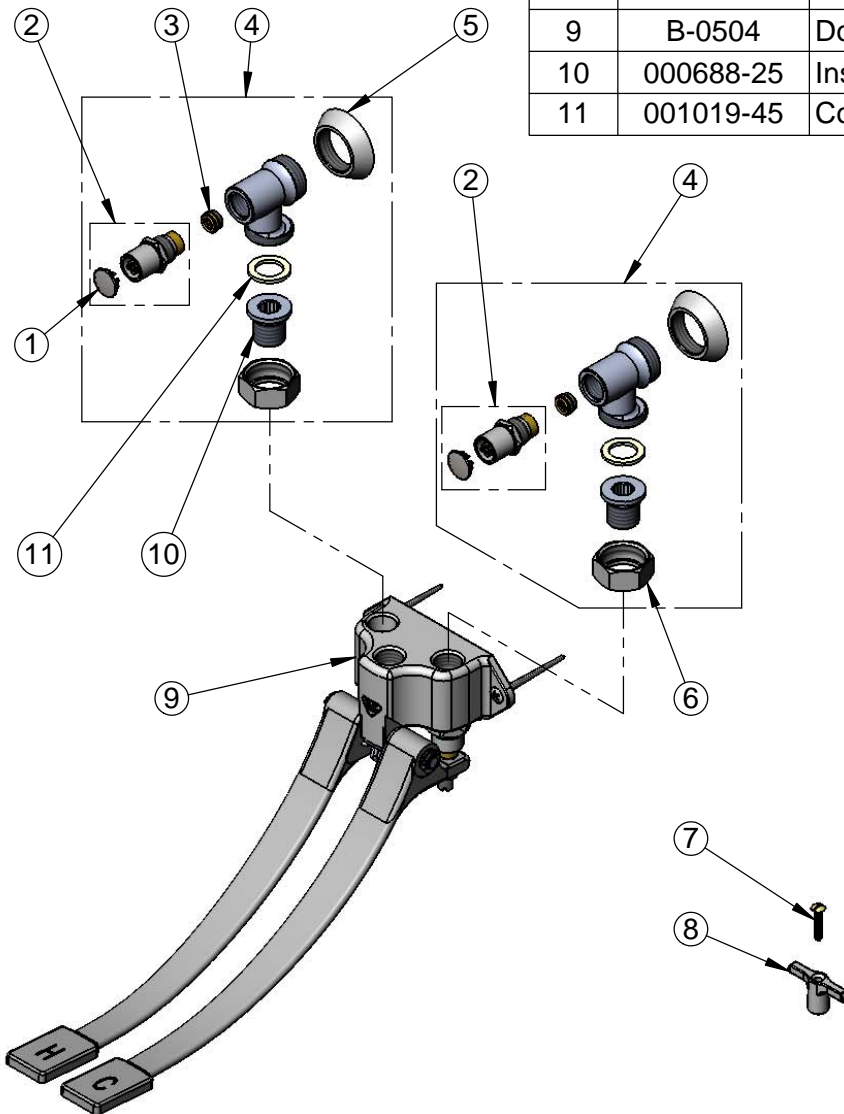
T&S BRASS AND BRONZE WORKS, INC.
 2 Saddleback Cove / P.O. Box 1088
 Travelers Rest, SC 29690

Model No.
B-0504-03

Item No.

Travelers Rest, SC: 800-476-4103 • Simi Valley, CA: 800-423-0150 • Fax: 864-834-3518 • www.tsbrass.com

ITEM NO.	SALES NO.	DESCRIPTION
1	001605-45	Cap
2	166A	Service Stop Spindle w/ Cap, T-Handle & Screw
3	000763-20	Seat
4	B-1350	Loose Key Angle Stop 1/2" NPT Male Union Coupling Outlet
5	000101-40	Flange
6	000721-25	Flange Coupling Nut
7	002432-45	Screw, Tee Handle
8	001802-45	Handle, Supply Stop "T"
9	B-0504	Double Pedal Valve, Wall Mount
10	000688-25	Insert, 1/2 NPT Male Union
11	001019-45	Coupling Nut Washer



Product Specifications:
 Double Pedal Valve w/ Loose Key Angle Stops,

Drawn DHL	Checked DMH	Approved JHB
Scale: NTS		Date: 11/02/12