



# T&S BRASS AND BRONZE WORKS, INC.

2 Saddleback Cove / P.O. Box 1088  
Travelers Rest, SC 29690

Model No.

**B-0504-LKS**

Item No.

Travelers Rest, SC: 800-476-4103 • Simi Valley, CA: 800-423-0150 • Fax: 864-834-3518 • www.tsbrass.com

This Space for Architect/Engineer Approval

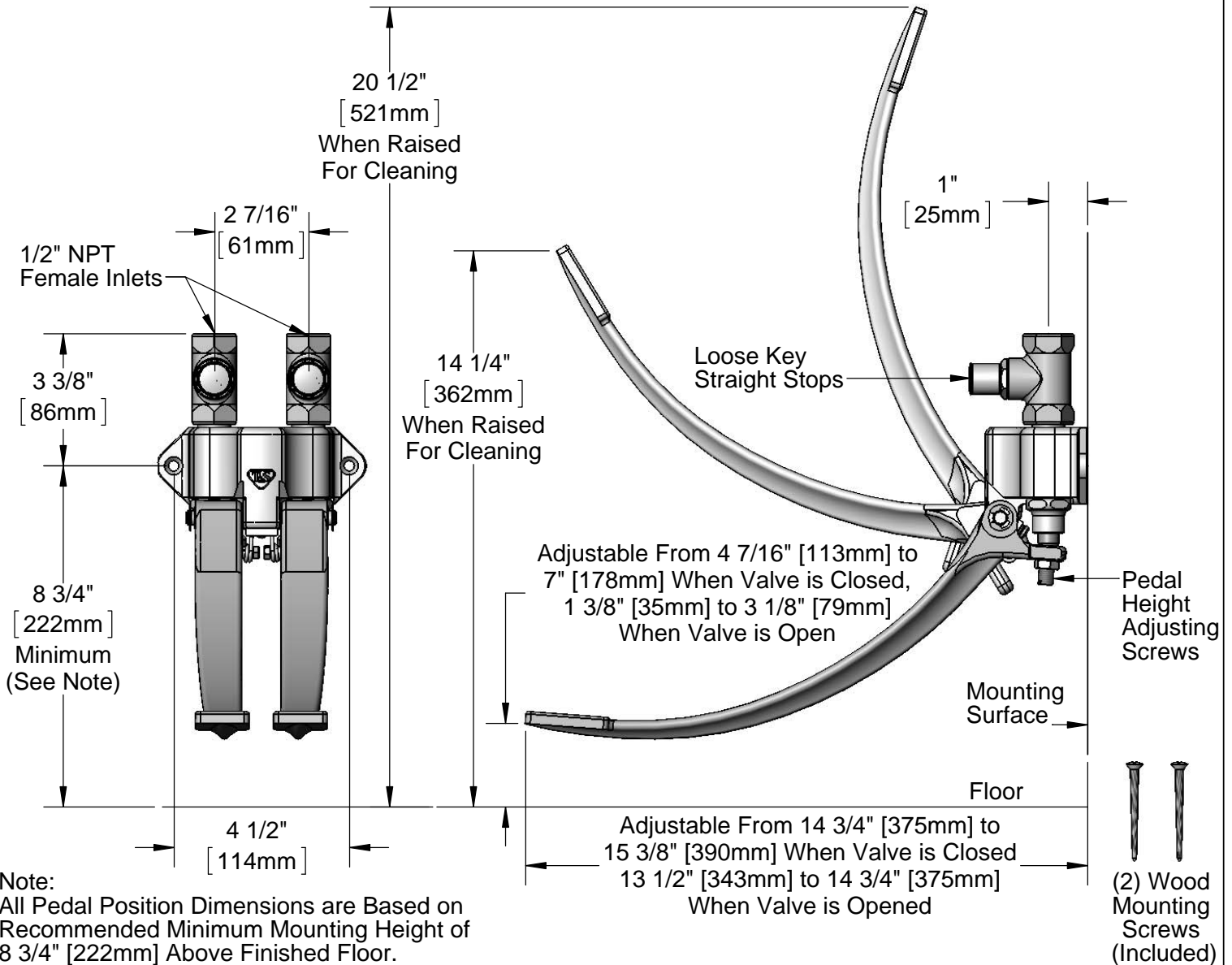
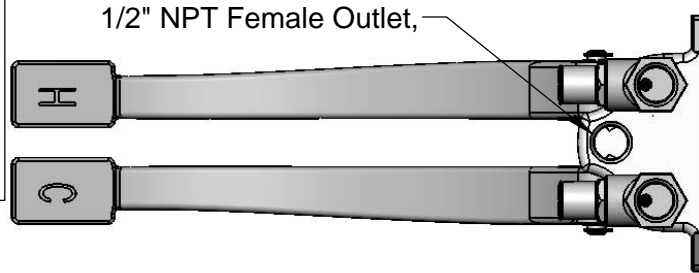
Job Name \_\_\_\_\_ Date \_\_\_\_\_

Model Specified \_\_\_\_\_ Quantity \_\_\_\_\_

Customer/Wholesaler \_\_\_\_\_

Contractor \_\_\_\_\_

Architect/Engineer \_\_\_\_\_



Note:  
All Pedal Position Dimensions are Based on Recommended Minimum Mounting Height of 8 3/4" [222mm] Above Finished Floor.

Product Specifications:  
Double Pedal Valve w/ Loose Key Straight Stops,

Drawn <b>DHL</b>	Checked <b>DMH</b>	Approved <b>JHB</b>
Scale: <b>1:4</b>		Date: <b>11/02/12</b>



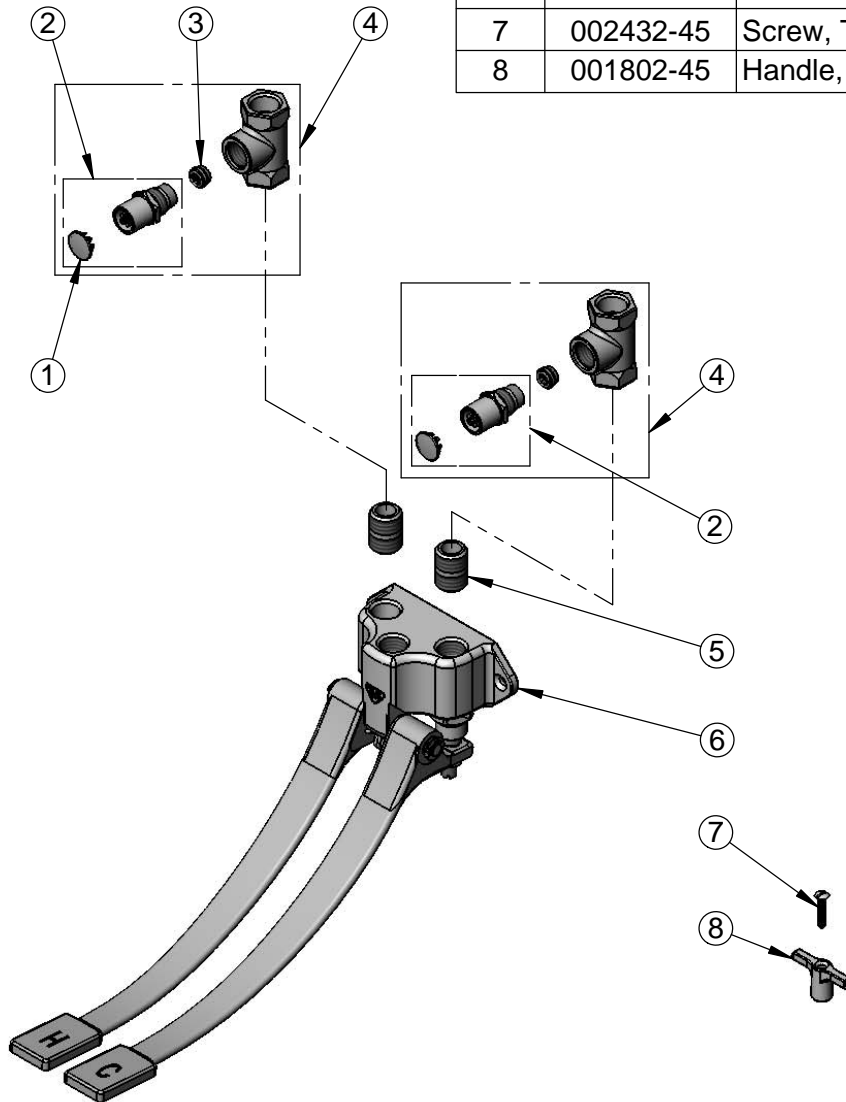
**T&S BRASS AND BRONZE WORKS, INC.**  
 2 Saddleback Cove / P.O. Box 1088  
 Travelers Rest, SC 29690

Model No.  
**B-0504-LKS**

Item No.

Travelers Rest, SC: 800-476-4103 • Simi Valley, CA: 800-423-0150 • Fax: 864-834-3518 • www.tsbrass.com

ITEM NO.	SALES NO.	DESCRIPTION
1	001605-45	Cap
2	166A	Service Stop Spindle w/ Cap, T-Handle & Screw
3	000763-20	Seat
4	B-1416	Loose Key Straight Stop 1/2" NPT Female Inlet / Outlet
5	002534-25	Close Nipple, 1/2" x 1 5/32" Lg Rough Chrome
6	B-0504	Double Pedal Valve, Wall Mount
7	002432-45	Screw, Tee Handle
8	001802-45	Handle, Supply Stop "T"



Product Specifications:  
 Double Pedal Valve w/ Loose Key Straight Stops,

Drawn <b>DHL</b>	Checked <b>DMH</b>	Approved <b>JHB</b>
Scale: <b>NTS</b>		Date: <b>11/02/12</b>