

T&S BRASS AND BRONZE WORKS, INC.

2 SADDLEBACK COVE / P.O. BOX 1088 / TRAVELERS REST, SC 29690

PHONE 800-476-4103

FAX 864-834-3518



REG.#A2601
ISO #9002

Model No.

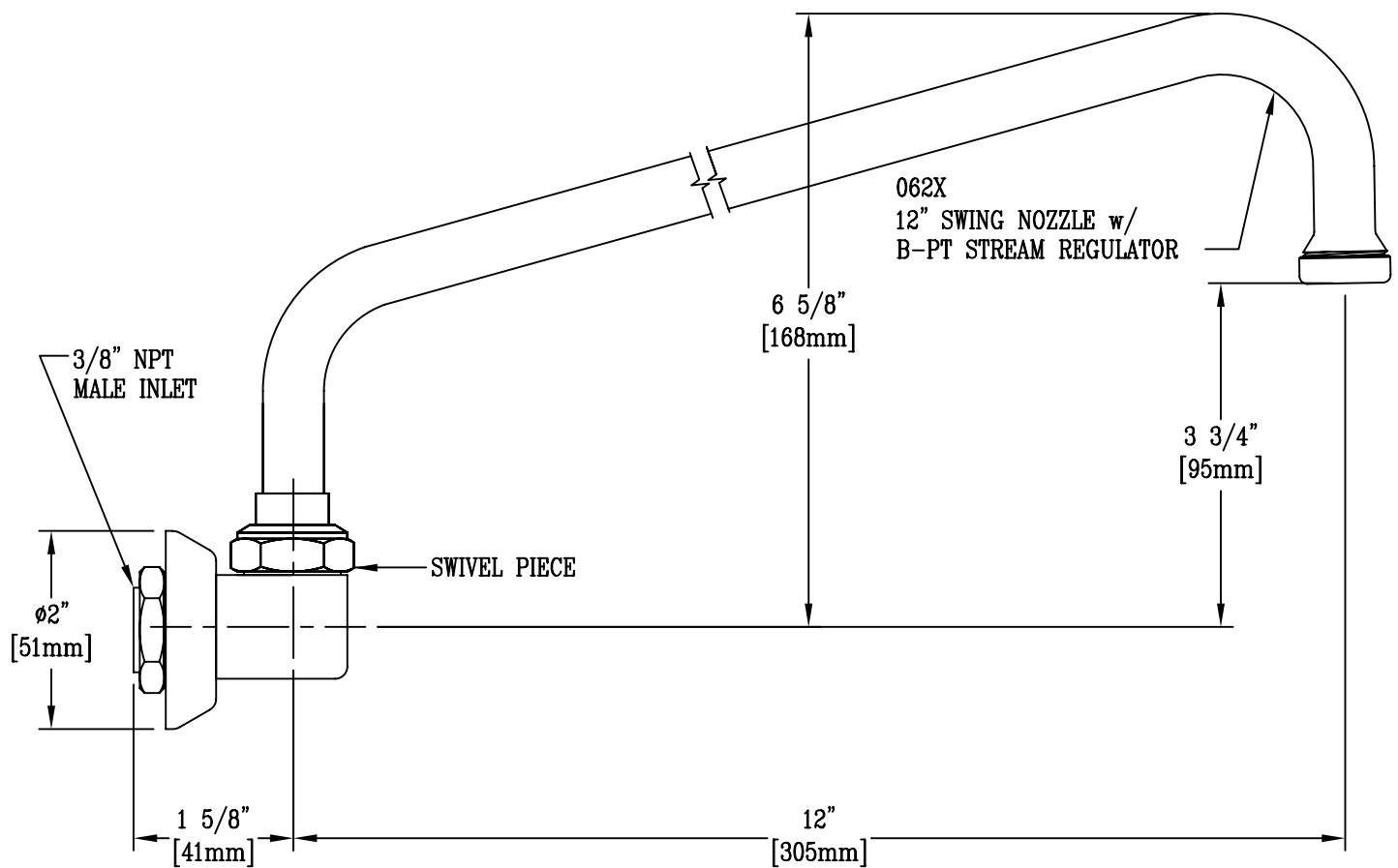
B-0526-5

Item No.:

Job Name:

Architect/Engineer Approval:

Notes:



Product Description:

WALL MOUNTED DUMMY 12" SWING NOZZLE

Drawn:

KJG

Checked

DHL

Scale:

1 : 2

Approved

JHB

Date:

3/10/09