



T&S BRASS AND BRONZE WORKS, INC.

2 Saddleback Cove / P.O. Box 1088
Travelers Rest, SC 29690



REG. #A2601
ISO #9001

Model No.

B-0577

Item No.

Travelers Rest, SC: 800-476-4103 Simi Valley, CA: 800-423-0150 Fax: 864-834-3518 www.tsbrass.com

This Space for Architect/Engineer Approval

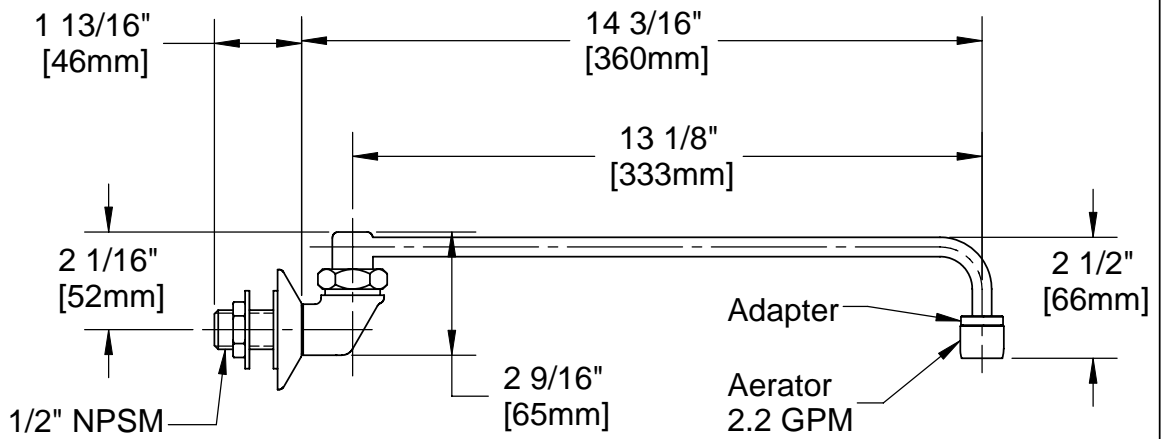
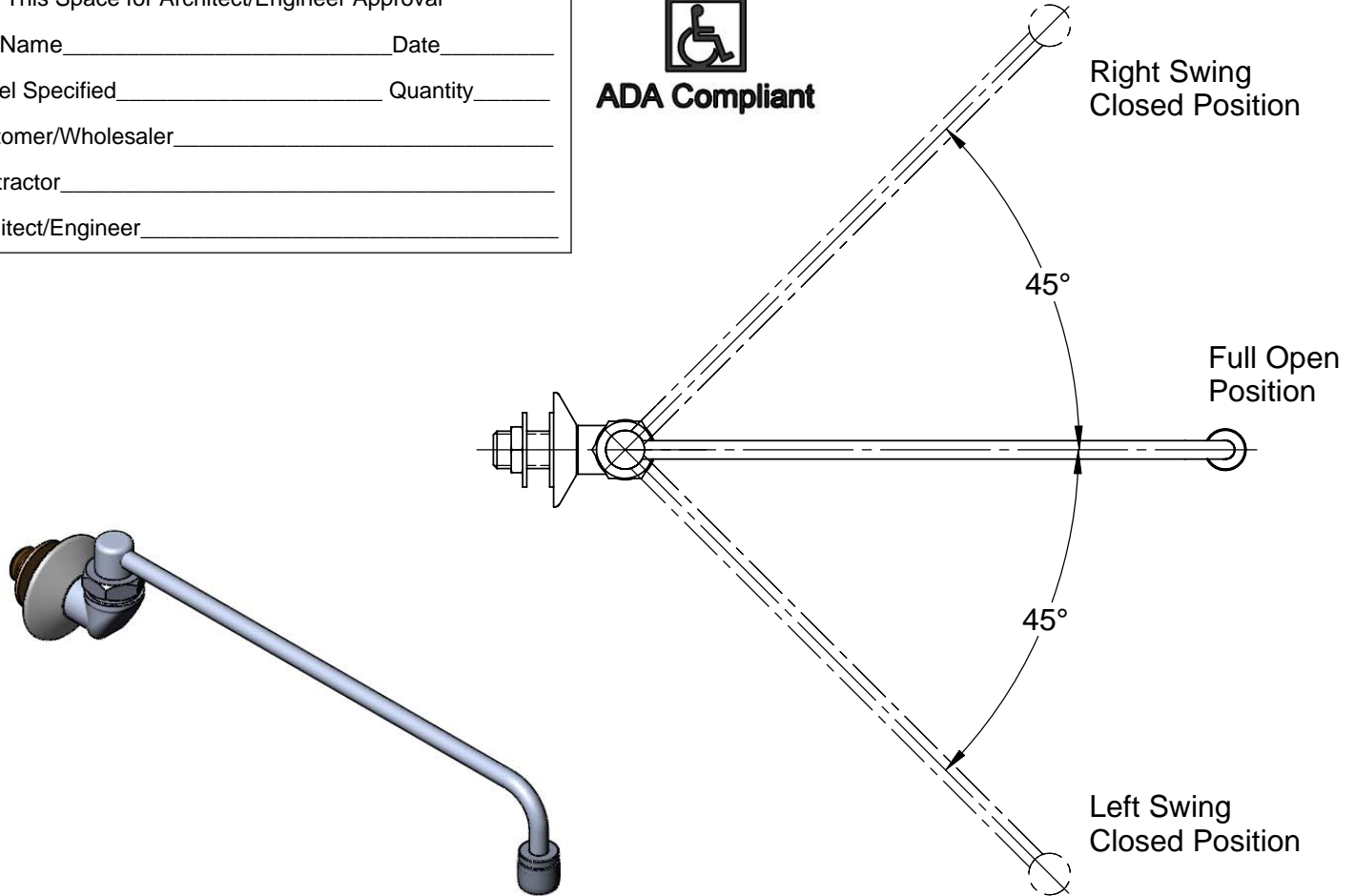
Job Name _____ Date _____

Model Specified _____ Quantity _____

Customer/Wholesaler _____

Contractor _____

Architect/Engineer _____



Rough-in: ϕ 1" Hole

1/2" NPSM
Male Inlet

Adapter
Aerator
2.2 GPM

Product Specifications:

**Range Faucet with 2.2 GPM Aerator Outlet,
Swing Nozzle & 1/2" NPSM Male Inlet**

Drawn DMH	Checked GEF	Approved JHB
Scale: 1:4		Date: 10/03/08



T&S BRASS AND BRONZE WORKS, INC.

2 Saddleback Cove / P.O. Box 1088
Travelers Rest, SC 29690



REG. #A2601
ISO #9001

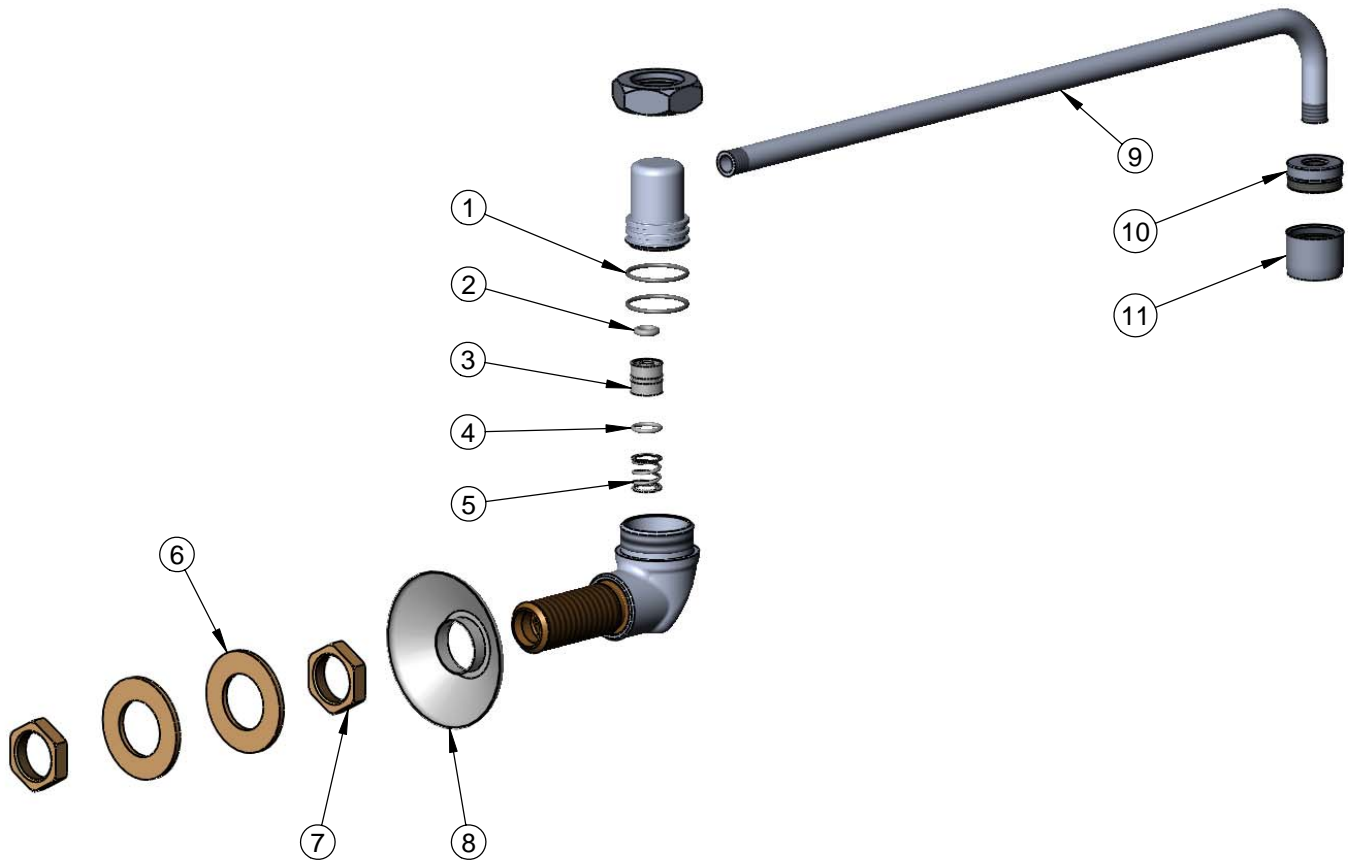
Model No.

B-0577

Item No.

Travelers Rest, SC: 800-476-4103 Simi Valley, CA: 800-423-0150 Fax: 864-834-3518 www.tsbrass.com

ITEM NO.	SALES NO.	DESCRIPTION
1	001069-45	O-ring - 020
2	009268-45	O-Ring
3	001621-20	Dynamic Bearing
4	009267-45	O-Ring
5	001625-45	Wrist Action Return Spring
6	000999-45	Brass Lock Washer
7	002954-45	Shank Lock Nut
8	001260-45	Escutcheon (1/2"), B-1300
9	001626-40	Nozzle
10	001624-25	Adapter, 1/8" Female
11	B-0199-01	2.2 GPM Aerator, Female



Product Specifications:

Range Faucet with 2.2 GPM Aerator Outlet,
Swing Nozzle & 1/2" NPSM Male Inlet

Drawn DMH	Checked GEF	Approved JHB
Scale: 1:3		Date: 10/03/08