



T&S BRASS AND BRONZE WORKS, INC.
 2 Saddleback Cove / P.O. Box 1088
 Travelers Rest, SC 29690

Model No.
B-0580

Item No.

Travelers Rest, SC: 800-476-4103 • Simi Valley, CA: 800-423-0150 • Fax: 864-834-3518 • www.tsbrass.com

This Space for Architect/Engineer Approval

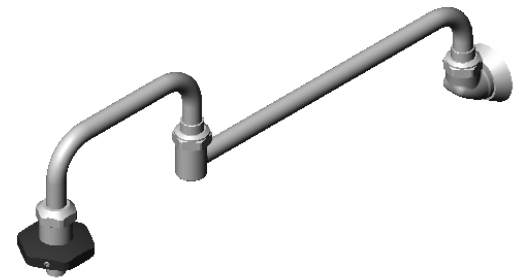
Job Name _____ Date _____

Model Specified _____ Quantity _____

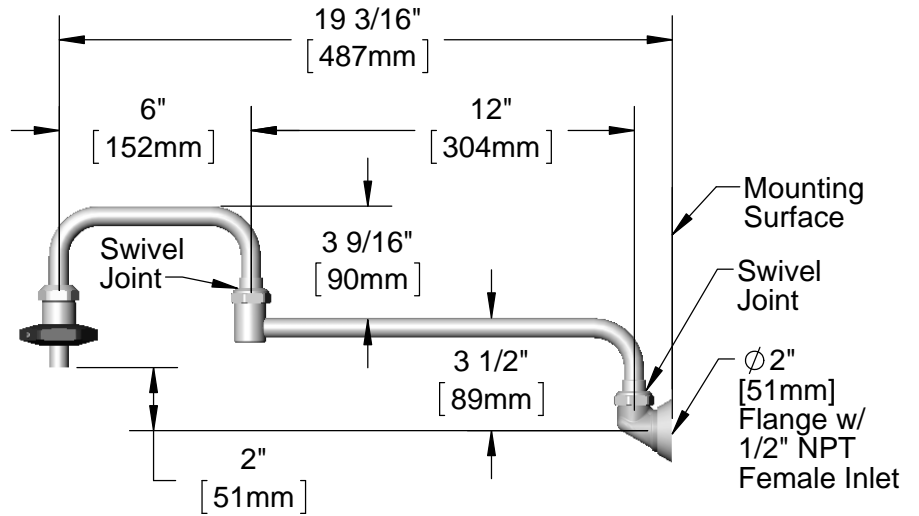
Customer/Wholesaler _____

Contractor _____

Architect/Engineer _____



Heat Resistant "On-Off" Handle



Product Specifications:
 Pot Filler w/ 18" Double Joint Swing Nozzle, Heat Resistant Handle,
 1/2" NPT Female Inlet

Drawn
KJG

Checked
DHL

Approved
JHB

Scale:
1:6

Date:
05/30/12

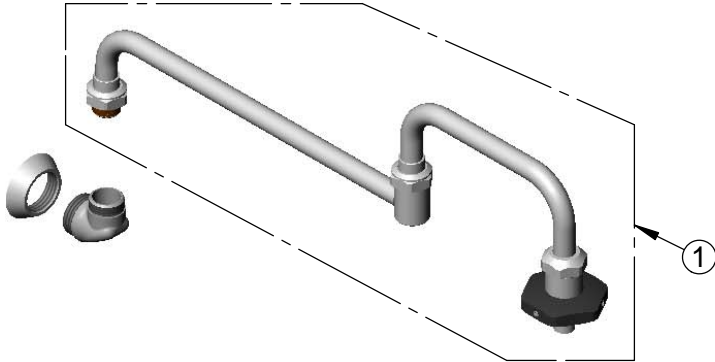


T&S BRASS AND BRONZE WORKS, INC.
 2 Saddleback Cove / P.O. Box 1088
 Travelers Rest, SC 29690

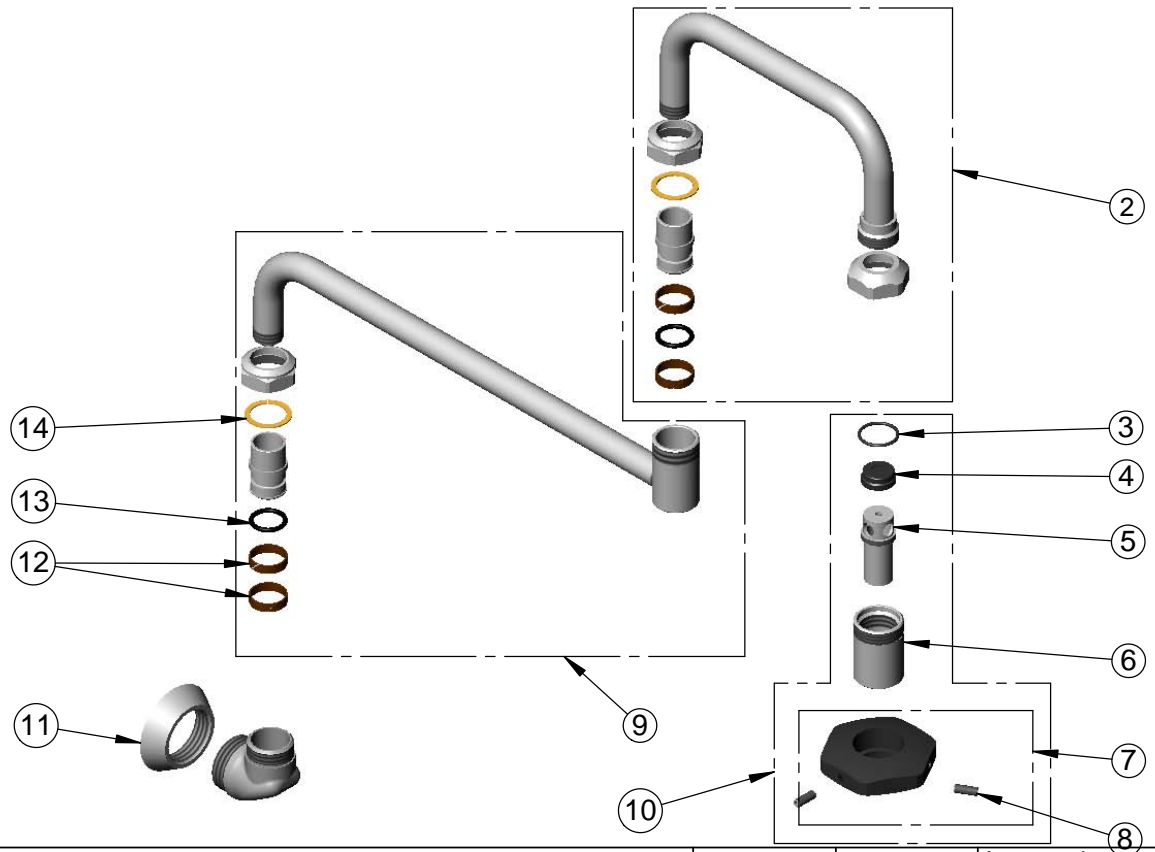
Model No.
B-0580
 Item No.

Travelers Rest, SC: 800-476-4103 • Simi Valley, CA: 800-423-0150 • Fax: 864-834-3518 • www.tsbrass.com

ITEM NO.	SALES NO.	DESCRIPTION
1	002848-40	18" Double Joint Nozzle Asm w/ Heat Resistant Handle
2	002870-40	6" Front Section Asm
3	003426-45	O-Ring
4	001089-45	Seal
5	001498-25	Spout
6	000587-25	Spout Body
7	001126-20	Handle w/ (2) Set Screws
8	000936-45	Handle Set Screw
9	002871-40	12" Back Section Asm
10	035A	Outlet Assembly
11	000101-40	Flange
12	011429-45	Swivel Sleeves (2)
13	001074-45	O-Ring
14	009538-45	Swivel Washer



Additional View for Bill Of Material Clarification



Product Specifications:
 Pot Filler w/ 18" Double Joint Swing Nozzle, Heat Resistant Handle,
 1/2" NPT Female Inlet

Drawn KJG	Checked DHL	Approved JHB
---------------------	-----------------------	------------------------

Scale: NTS	Date: 05/30/12
----------------------	--------------------------