

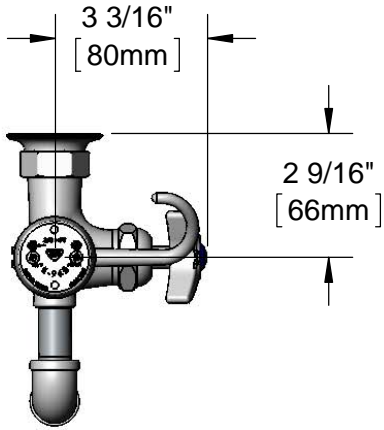


T&S BRASS AND BRONZE WORKS, INC.
 2 Saddleback Cove / P.O. Box 1088
 Travelers Rest, SC 29690

Model No.
B-0605-CR

Item No.

Travelers Rest, SC: 800-476-4103 • Simi Valley, CA: 800-423-0150 • Fax: 864-834-3518 • www.tsbrass.com



This Space for Architect/Engineer Approval

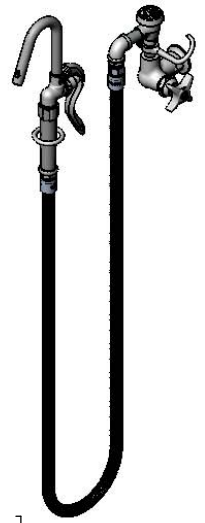
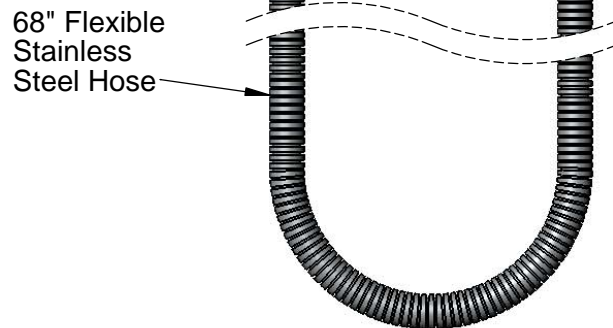
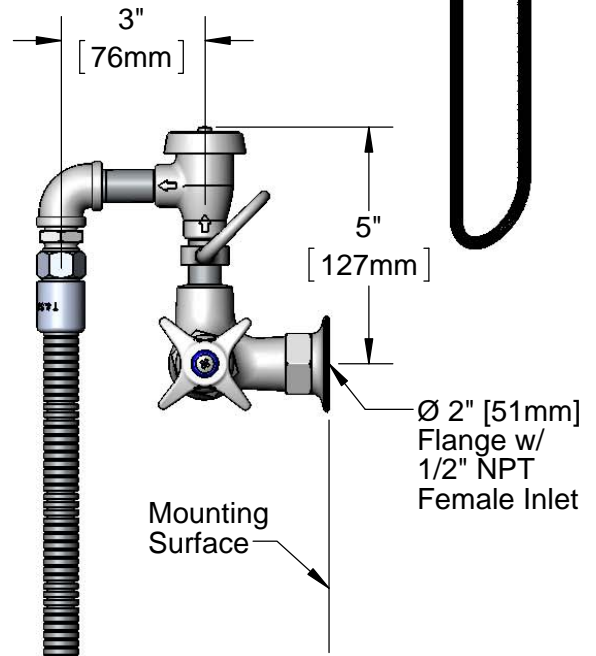
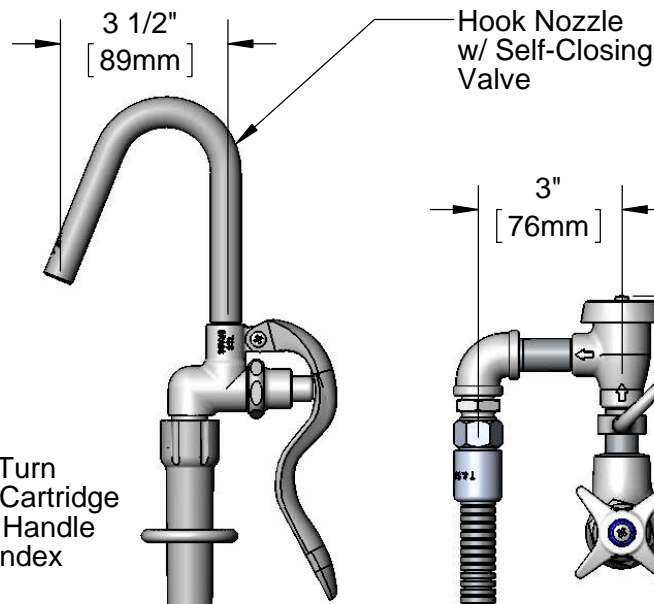
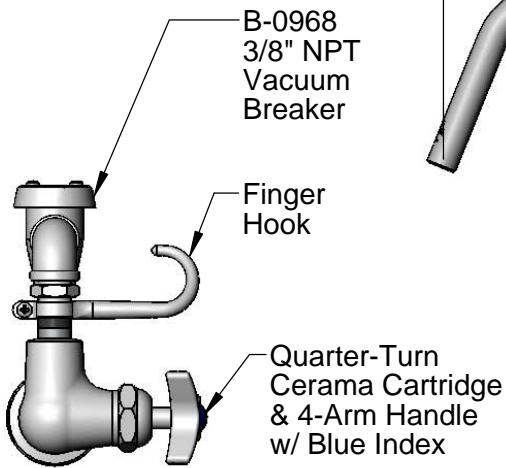
Job Name _____ Date _____

Model Specified _____ Quantity _____

Customer/Wholesaler _____

Contractor _____

Architect/Engineer _____



Product Specifications:
 Kettle & Pot Filler Wall Mount Faucet, Quarter-Turn Cerama Cartridge, 3/8" NPT Vacuum Breaker, 4-Arm Handle, 68" Flexible Stainless Steel Hose, Hook Nozzle & 1/2" NPT Female Inlet

Product Compliance:
 ASME A112.18.1 / CSA B125.1
 NSF 61 - Section 9
 NSF 372 (Low Lead Content)
 ASSE 1001

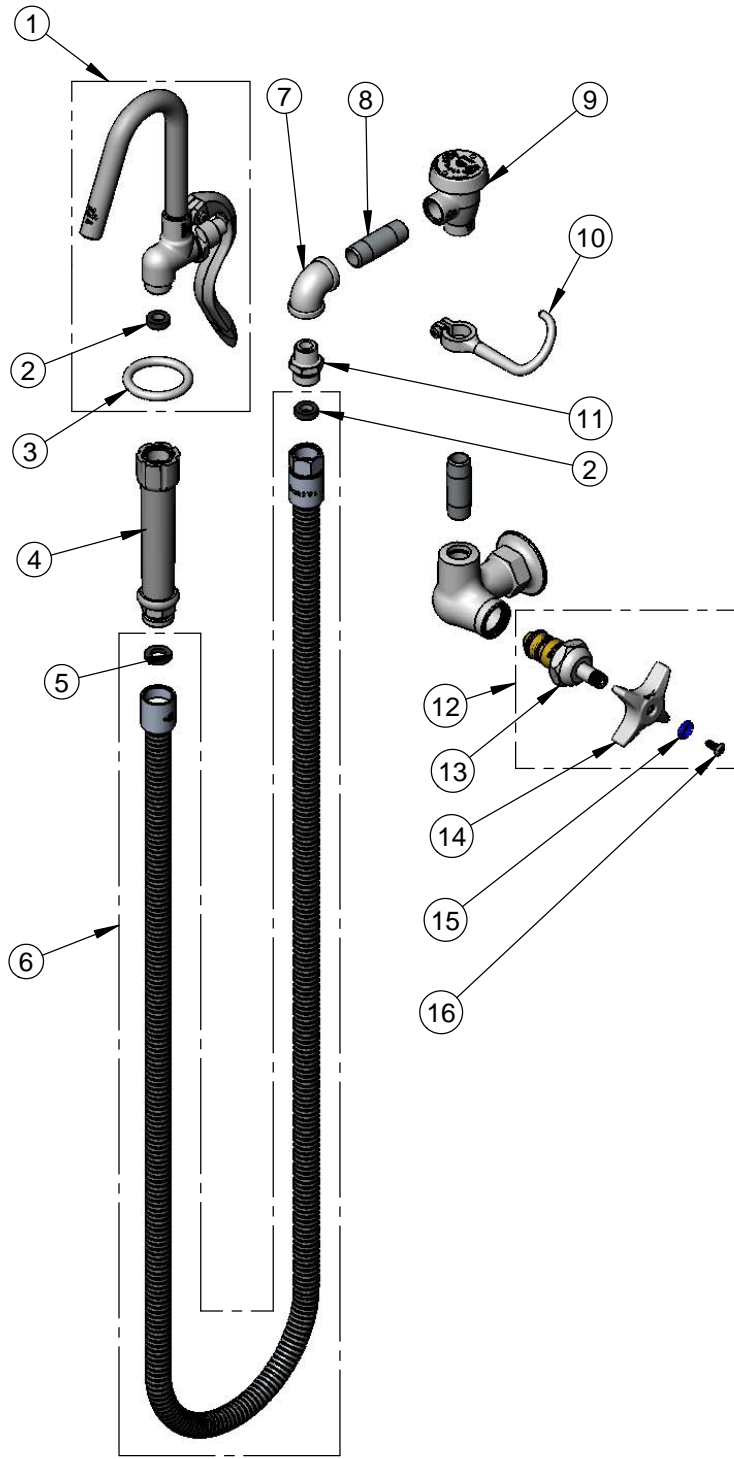


T&S BRASS AND BRONZE WORKS, INC.
 2 Saddleback Cove / P.O. Box 1088
 Travelers Rest, SC 29690

Model No.
B-0605-CR

Item No.

Travelers Rest, SC: 800-476-4103 • Simi Valley, CA: 800-423-0150 • Fax: 864-834-3518 • www.tsbrass.com



ITEM NO.	SALES NO.	DESCRIPTION
1	002851-40	Hook Nozzle & Spray Valve
2	010476-45	#27 Washer
3	000907-45	Spray Valve Hold Down Ring
4	002987-40	Grip Handle
5	001014-45	Washer, B-0100 Hose Barrel
6	B-0068-H2A	68" Flexible Stainless Steel Hose, Less Handle
7	001355-40	3/8" NPT Elbow
8	000357-40	Nipple, 3/8" NPT x 2"
9	B-0968	3/8" NPT Vacuum Breaker
10	004R	Finger Hook
11	053A	Adapter, 3/8" NPT Male
12	012444-25	Quarter-Turn Cerama Cartridge, RTC w/ Handle, Index & Screw
13	011278-25	Quarter-Turn Cerama Cartridge, RTC
14	002521-45	4-Arm Handle
15	001660-45	Blue Index-CW
16	000922-45	Lever Handle Screw

Product Specifications:
 Kettle & Pot Filler Wall Mount Faucet, Quarter-Turn Cerama Cartridge, 3/8" NPT Vacuum Breaker, 4-Arm Handle, 68" Flexible Stainless Steel Hose, Hook Nozzle & 1/2" NPT Female Inlet

Product Compliance:
 ASME A112.18.1 / CSA B125.1
 NSF 61 - Section 9
 NSF 372 (Low Lead Content)
 ASSE 1001