



# T&S BRASS AND BRONZE WORKS, INC.

2 Saddleback Cove / P.O. Box 1088  
Travelers Rest, SC 29690



REG. #A2601  
ISO #9001

Model No.

**B-0650-03**

Item No.

Travelers Rest, SC: 800-476-4103 Simi Valley, CA: 800-423-0150 Fax: 864-834-3518 www.tsbrass.com

This Space for Architect/Engineer Approval

Job Name \_\_\_\_\_ Date \_\_\_\_\_

Model Specified \_\_\_\_\_ Quantity \_\_\_\_\_

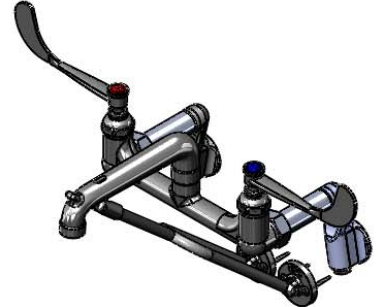
Customer/Wholesaler \_\_\_\_\_

Contractor \_\_\_\_\_

Architect/Engineer \_\_\_\_\_



**ADA Compliant**



00XX  
Adjustable Flange w/  
1/2" NPT Female Inlets  
& Screwdriver Stops

000610-40  
Extension

B-WH6  
6" Wrist Action Handle  
w/ Color Coded Indexes

Eterna Cartridges w/  
Spring Checks

2" [51mm]  
Flange

Plain End  
Spout

6 1/4"  
[159mm]

2 7/16"  
[62mm]

12 3/16"  
[310mm]

Lower Wall Support  
Assembly Furnished  
w/ Wall Bracket &  
Mounting Screws

Inlets Adjustable  
from 3 1/4" [83mm]  
to 12 3/4" [324mm]  
Below or Above  
Centerline

Mounting Surface

**Product Specifications:**

8" Wall Mount, Service Sink Faucet, Polished Chrome Finish, 6" Wrist Action Handles, Lower Support Rod, 1/2" NPT Extended Adjustable Inlets & Plain Outlet

Drawn <b>DHL</b>	Checked <b>KJG</b>	Approved <b>JHB</b>
Scale: <b>NTS</b>		Date: <b>08/10/10</b>



**T&S BRASS AND BRONZE WORKS, INC.**

2 Saddleback Cove / P.O. Box 1088  
Travelers Rest, SC 29690



REG. #A2601  
ISO #9001

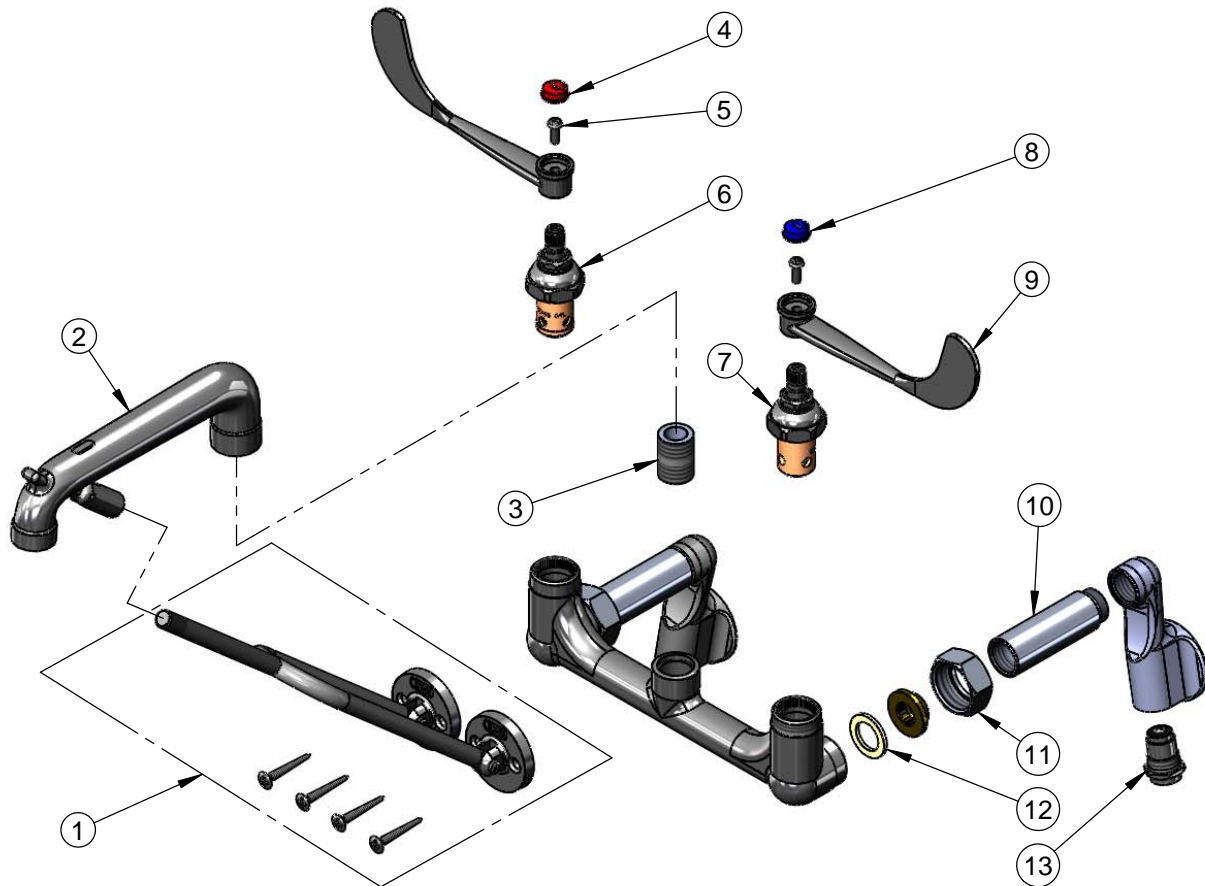
Model No.

**B-0650-03**

Item No.

Travelers Rest, SC: 800-476-4103 Simi Valley, CA: 800-423-0150 Fax: 864-834-3518 www.tsbrass.com

ITEM NO.	SALES NO.	DESCRIPTION
1	014490-40	Lower Support Rod Assembly w/ Mounting Screws
2	016844-40	Spout, B-0650 Chrome Polished
3	002534-25	Close Nipple, 1/2" x 1 5/32" Lg Rough Chrome
4	001194-45	Red HW Index
5	000925-45	Lab Handle Screw
6	012443-40	Hot Eterna Spindle Assembly w/ Spring Check
7	012442-40	Cold Eterna Spindle Assembly w/ Spring Check
8	001686-45	Blue CW Index
9	B-WH6	6" Wrist Action Handle
10	000610-25	Extension, 2 3/4" Long
11	000721-25	Flange Coupling Nut
12	001019-45	Coupling Nut Washer
13	163A	BST Assembly, 163A
25		



Product Specifications:

8" Wall Mount, Service Sink Faucet, Polished Chrome Finish, 6" Wrist Action Handles, Lower Support Rod, 1/2" NPT Extended Adjustable Inlets & Plain Outlet

Drawn <b>DHL</b>	Checked <b>KJG</b>	Approved <b>JHB</b>
Scale: <b>NTS</b>		Date: <b>08/10/10</b>