



T&S BRASS AND BRONZE WORKS, INC.

2 SADDLEBACK COVE / P.O. BOX 1088 / TRAVELERS REST, SC 29690

PHONE 800-476-4103

FAX 864-834-3518



REG. #A2601  
ISO #9002

Model No.

B-0650-BSTR

Item No.:

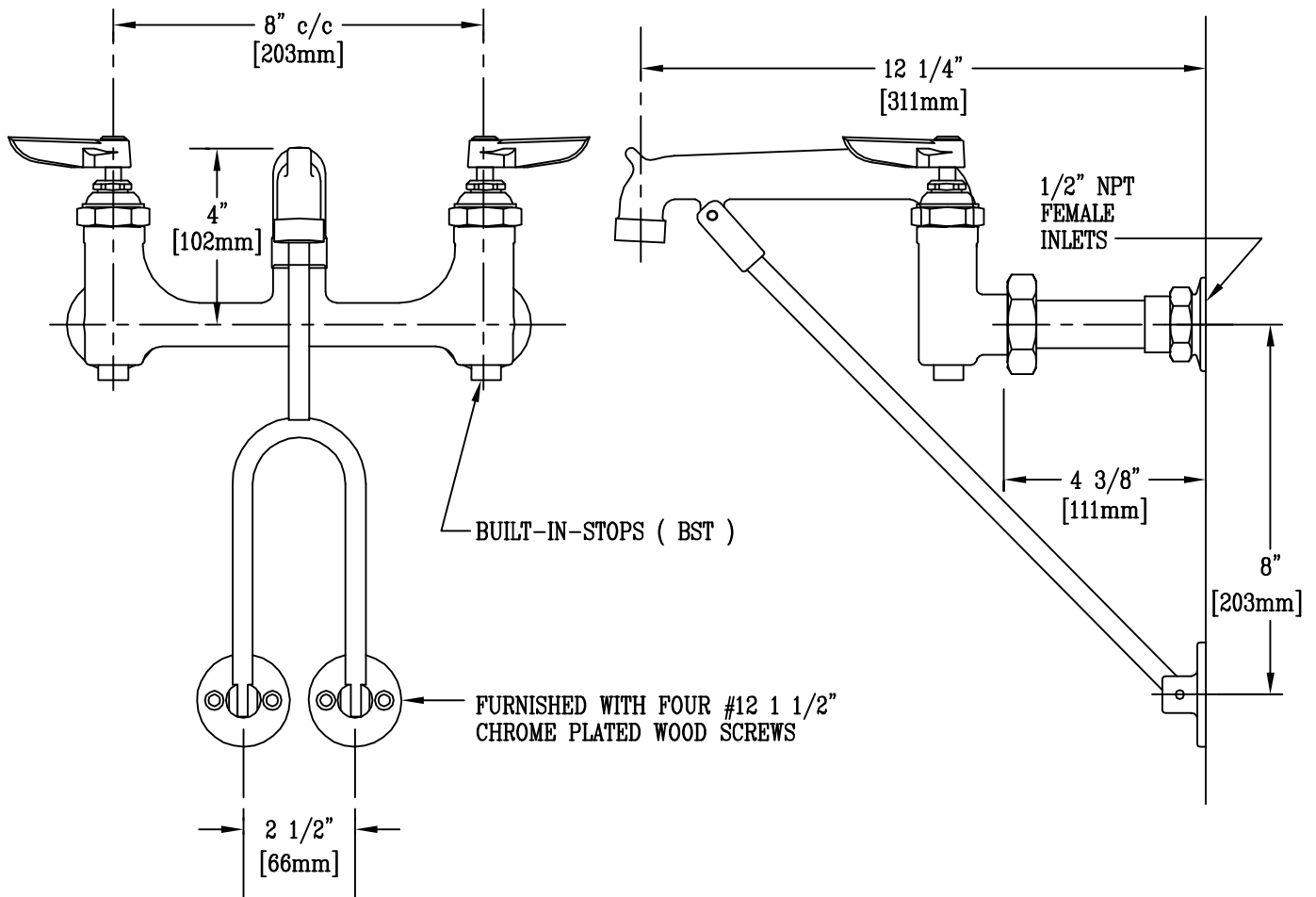
Job Name:

Architect/Engineer Approval:

Notes:



ADA COMPLIANT



Product Description:

SERVICE SINK FAUCET WITH WALL BRACE, LEVER HANDLES, ADJUSTABLE INLET CENTERS, ROUGH CHROME FINISH, INTEGRAL STOPS, & 1/2" NPT FEMALE INLETS

Drawn:

WJS

Checked:

ARD

Scale:

3" = 1'

Approved:

CA

Date:

7/21/95