



# T&S BRASS AND BRONZE WORKS, INC.

2 Saddleback Cove / P.O. Box 1088  
Travelers Rest, SC 29690



REG. #A2601  
ISO #9001

Model No.

**B-0650-POL**

Item No.

Travelers Rest, SC: 800-476-4103 Simi Valley, CA: 800-423-0150 Fax: 864-834-3518 www.tsbrass.com

This Space for Architect/Engineer Approval

Job Name \_\_\_\_\_ Date \_\_\_\_\_

Model Specified \_\_\_\_\_ Quantity \_\_\_\_\_

Customer/Wholesaler \_\_\_\_\_

Contractor \_\_\_\_\_

Architect/Engineer \_\_\_\_\_



**ADA Compliant**

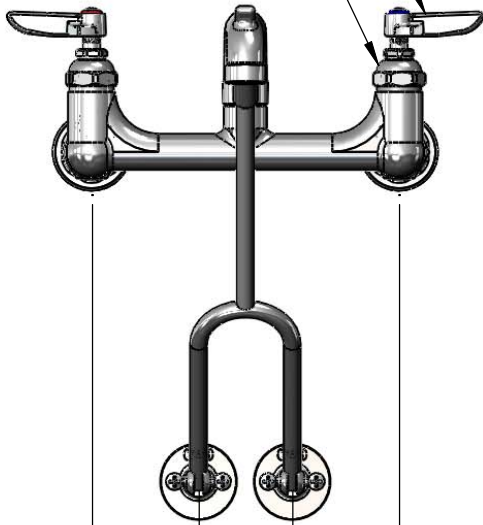


Hot & Cold Eterna Cartridges w/ Spring Checks

Lever Handles w/ Color Coded Indexes

000610-40 Extension

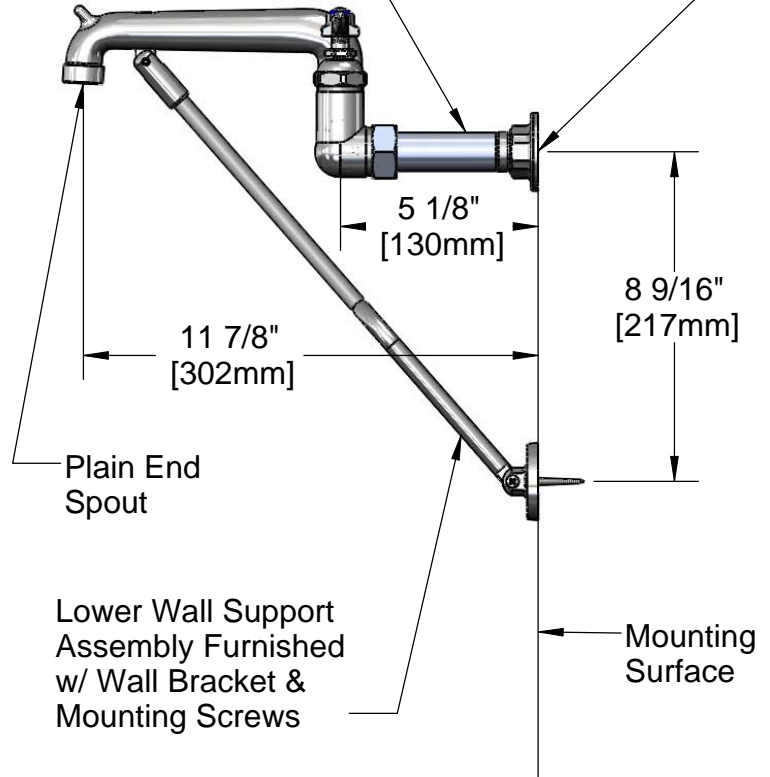
Ø2" [51mm] Flange w/ 1/2" NPT Female Inlets



2 7/16" [62mm]

8" [203mm]

Adjustable from 7 3/4" to 8 1/4" [197mm to 210mm]



5 1/8" [130mm]

11 7/8" [302mm]

8 9/16" [217mm]

Plain End Spout

Lower Wall Support Assembly Furnished w/ Wall Bracket & Mounting Screws

Mounting Surface

**Product Specifications:**

8" Wall Support Service Sink, Polish Chrome Finish, Lever Handles, Lower Support Rod, 1/2" NPT Extended Inlets & Plain Outlet

Drawn  
**DHL**

Checked  
**KJG**

Approved  
**JHB**

Scale:

**NTS**

Date:

**08/10/10**



**T&S BRASS AND BRONZE WORKS, INC.**

2 Saddleback Cove / P.O. Box 1088  
Travelers Rest, SC 29690



REG. #A2601  
ISO #9001

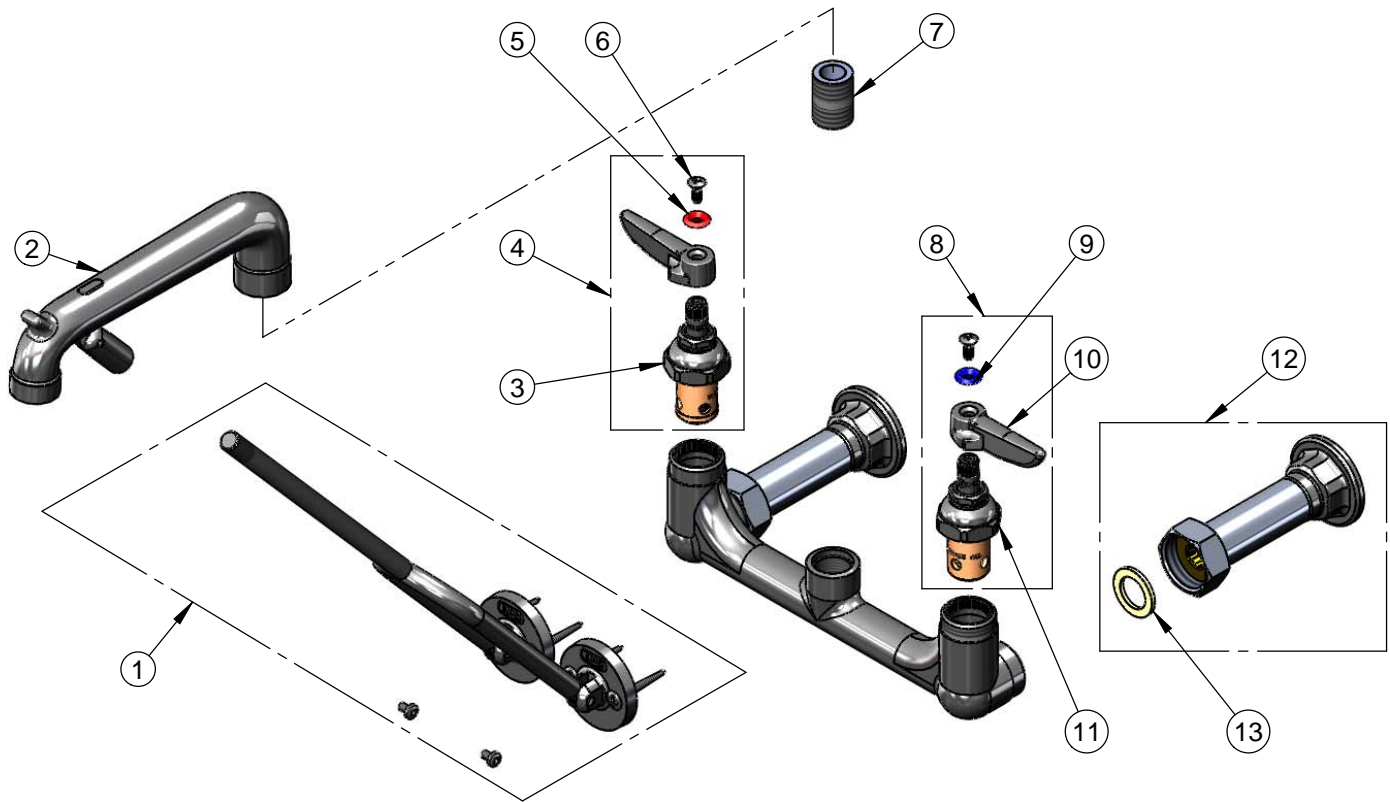
Model No.

**B-0650-POL**

Item No.

Travelers Rest, SC: 800-476-4103 Simi Valley, CA: 800-423-0150 Fax: 864-834-3518 www.tsbrass.com

ITEM NO.	SALES NO.	DESCRIPTION
1	009616-40	Lower Wall Support Assembly w/ Mounting Screws
2	016844-40	Spout Assembly Polish Chrome w/ Bottom Support Clevis
3	012443-40	Hot Eterna Spindle Assembly w/ Spring Check
4	002712-40	Hot Eterna Sindle Assembly w/ Spring Check, Handle, Index & Screw
5	001661-45	Red Index-HW
6	000922-45	Lever Handle Screw
7	002534-25	Close Nipple, 1/2" x 1 5/32" Lg Rough Chrome
8	002711-40	Cold Eterna Sindle Assembly w/ Spring Check, Handle, Index & Screw
9	001660-45	Blue Index-CW
10	001638-45	Lever Handle
11	012442-40	Cold Eterna Spindle Assembly w/ Spring Check
12	B-0441	1/2" x 4" Extension Flange Inlet
13	001019-45	Coupling Nut Washer



Product Specifications:

8" Wall Support Service Sink, Polish Chrome Finish,  
Lever Handles, Lower Support Rod, 1/2" NPT  
Extended Inlets & Plain Outlet

Drawn  
DHL

Checked  
KJG

Approved  
JHB

Scale:  
NTS

Date:  
08/10/10