



T&S BRASS AND BRONZE WORKS, INC.

2 Saddleback Cove / P.O. Box 1088
Travelers Rest, SC 29690



REG. #A2601
ISO #9001

Model No.

B-0651-RGH

Item No.

Travelers Rest, SC: 800-476-4103 Simi Valley, CA: 800-423-0150 Fax: 864-834-3518 www.tsbrass.com

This Space for Architect/Engineer Approval

Job Name _____ Date _____

Model Specified _____ Quantity _____

Customer/Wholesaler _____

Contractor _____

Architect/Engineer _____



ADA Compliant



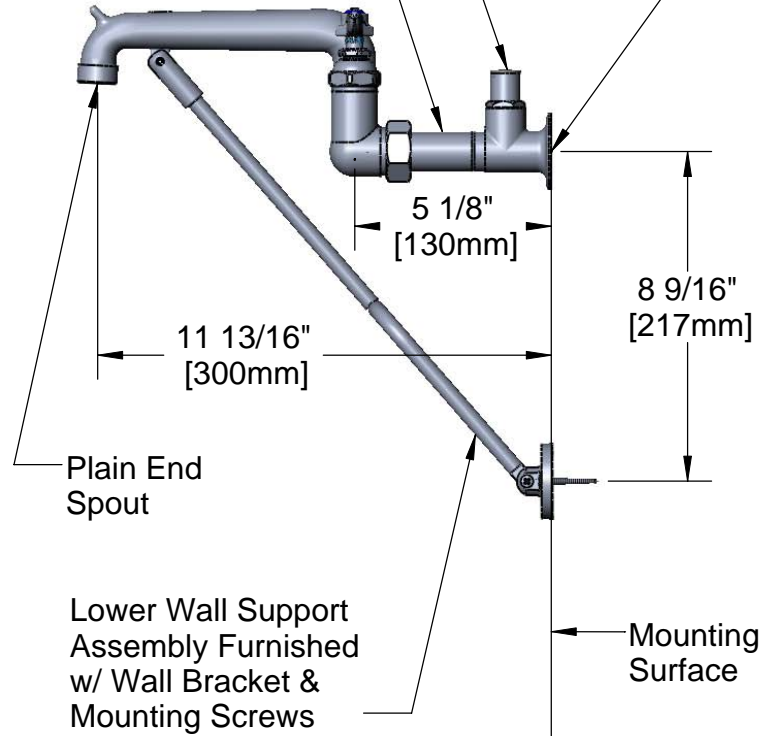
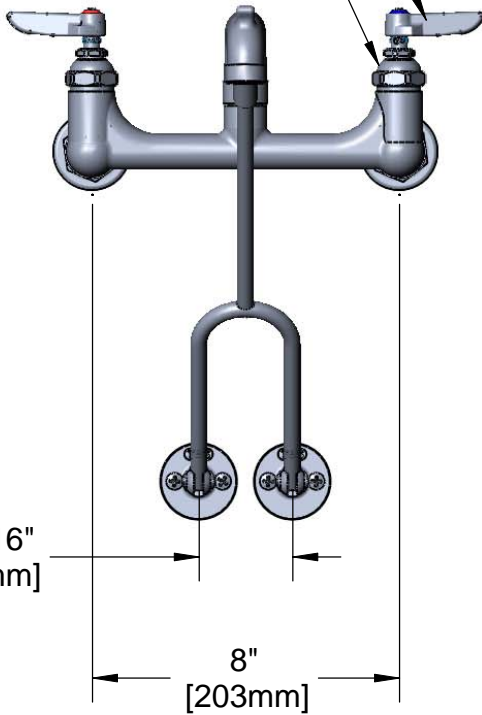
Hot & Cold Eterna
Cartridges w/
Spring Checks

Lever Handles w/
Color Coded Indexes

00JJ-XT
Integral
Supply Stops

000611-40
Extension

Ø2"
[51mm]
Flange w/
1/2" NPT
Female
Thread
Inlets



Product Specifications:

8" Wall Support Service Sink, Rough Chrome Finish, Lever Handles,
Lower Support Rod, 1/2" NPT Extended Inlets w/ Integral Stops
& Garden Hose Outlet

Drawn
DHL

Checked
KJG

Approved
JHB

Scale:

NTS

Date:

02/10/09



T&S BRASS AND BRONZE WORKS, INC.

2 Saddleback Cove / P.O. Box 1088
Travelers Rest, SC 29690



REG. #A2601
ISO #9001

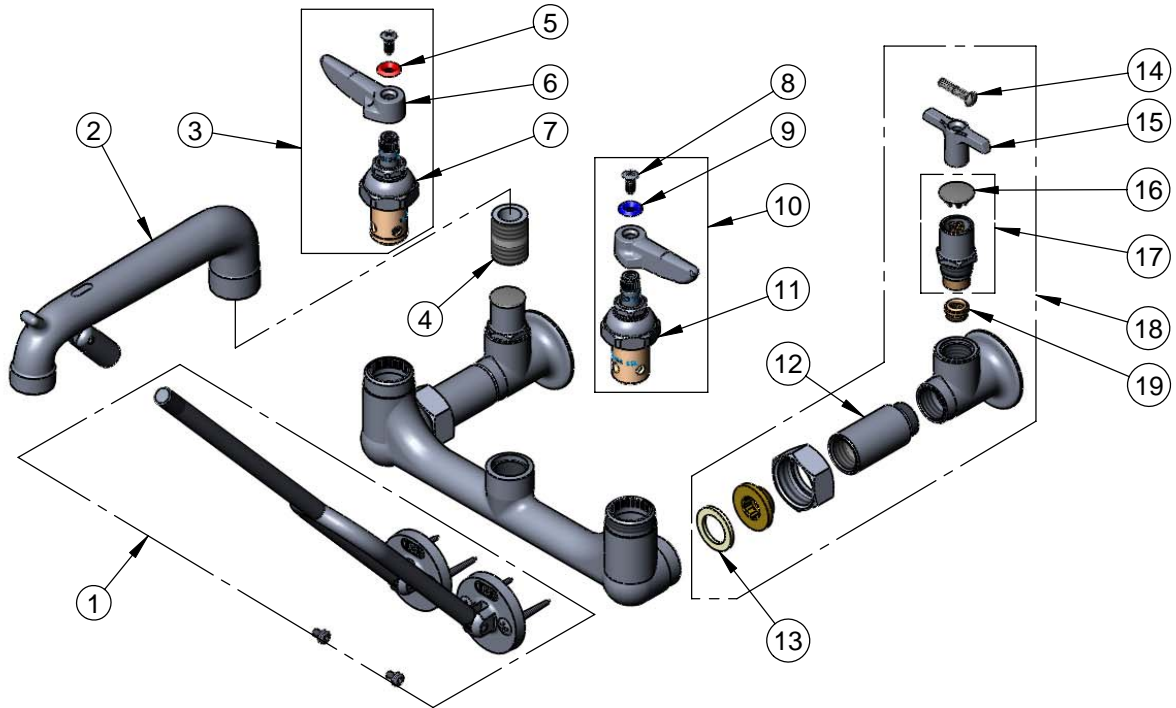
Model No.

B-0651-RGH

Item No.

Travelers Rest, SC: 800-476-4103 Simi Valley, CA: 800-423-0150 Fax: 864-834-3518 www.tsbrass.com

ITEM NO.	SALES NO.	DESCRIPTION
1	009616-40	Lower Support Rod Assembly w/ Mounting Screws
2	016844-25	Spout, B-0650 Rough Chrome
3	002712-40	Hot Eterna Spindle Assembly w/ Spring Check, Handle, Index & Screw
4	002534-25	Close Nipple, 1/2" x 1 5/32" Lg Rough Chrome
5	001661-45	Red Index-HW
6	001638-45	Lever Handle
7	012443-40	Hot Eterna Spindle Assembly w/ Spring Check
8	000922-45	Lever Handle Screw
9	001660-45	Blue Index-CW
10	002711-40	Cold Eterna Spindle Assembly w/ Spring Check, Handle, Index & Screw
11	012442-40	Cold Eterna Spindle Assembly w/ Spring Check
12	000611-25	Extension, 1 3/4" Long
13	001019-45	Coupling Nut Washer
14	002432-45	Loose Key Handle Screw
15	001802-45	Handle, Supply Stop "T"
16	001605-45	Cap
17	002892-40	Spindle Assembly w/ Cap
18	00JJ-XT	1/2" NPT Female Thread Inlet Assembly w/ Integral Stop & Extension
19	000763-20	Seat



Product Specifications:

8" Wall Support Service Sink, Rough Chrome Finish, Lever Handles, Lower Support Rod, 1/2" NPT Extended Inlets w/ Integral Stops & Garden Hose Outlet

Drawn DHL	Checked KJG	Approved JHB
Scale: NTS		Date: 02/10/09