



T&S BRASS AND BRONZE WORKS, INC.

2 Saddleback Cove / P.O. Box 1088
Travelers Rest, SC 29690



REG. #A2601
ISO #9001

Model No.
B-0652

Item No.

Travelers Rest, SC: 800-476-4103 Simi Valley, CA: 800-423-0150 Fax: 864-834-3518 www.tsbrass.com

This Space for Architect/Engineer Approval

Job Name _____ Date _____

Model Specified _____ Quantity _____

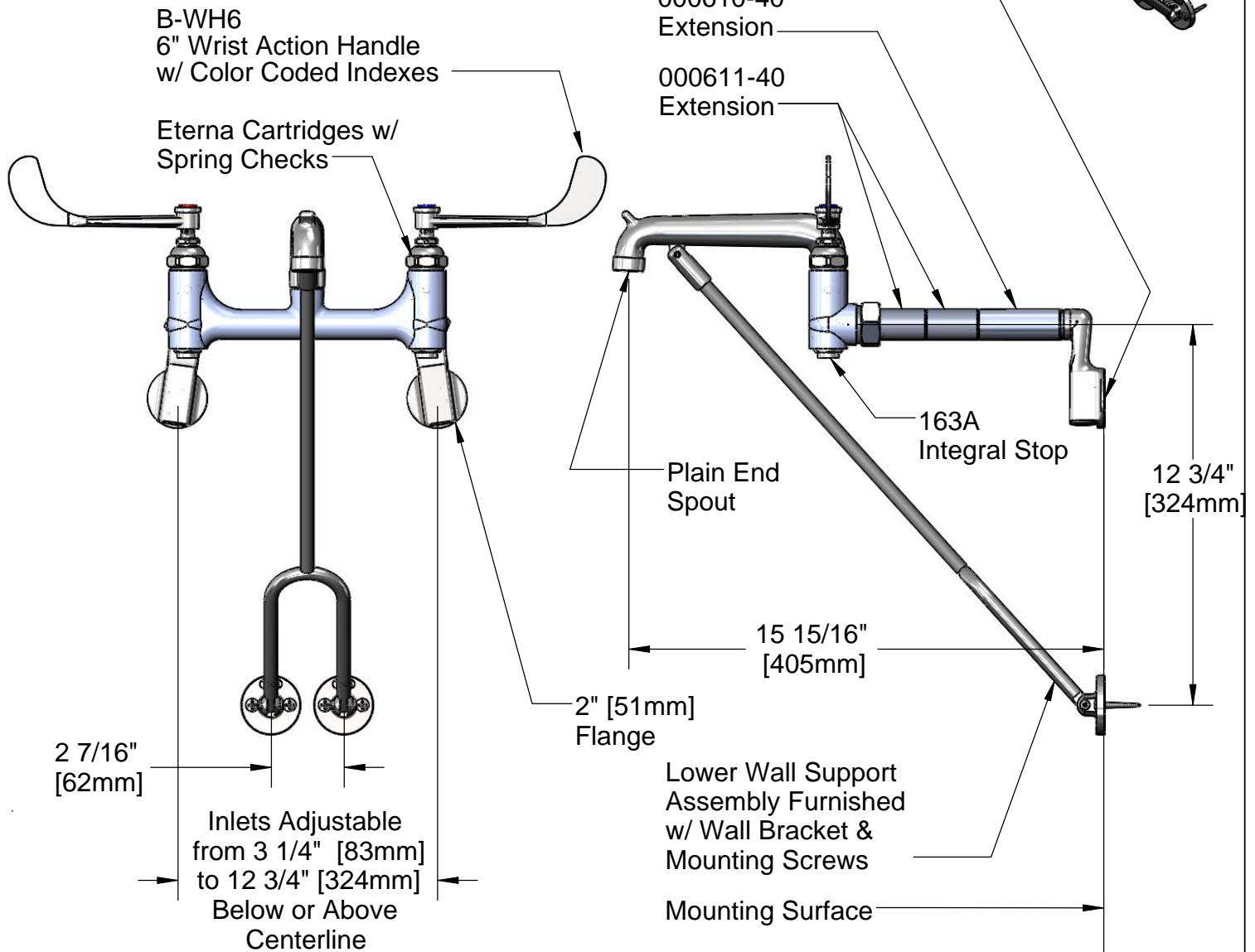
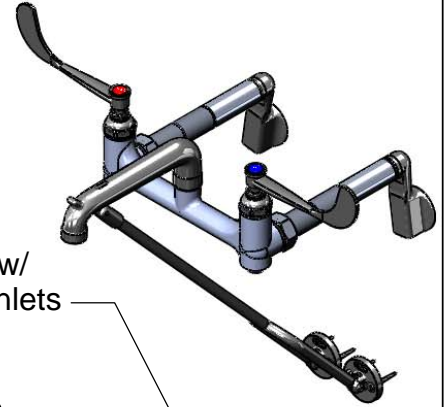
Customer/Wholesaler _____

Contractor _____

Architect/Engineer _____



ADA Compliant



Product Specifications:

8" Wall Mount, Service Sink Faucet, Polished Chrome Finish, Built-In Stops, 6" Wrist Action Handles, Lower Support Rod, 1/2" NPT Extended Inlets & Garden Hose Outlet

Drawn DHL	Checked KJG	Approved JHB
Scale: NTS		Date: 9/11/2009



T&S BRASS AND BRONZE WORKS, INC.

2 Saddleback Cove / P.O. Box 1088
Travelers Rest, SC 29690



REG. #A2601
ISO #9001

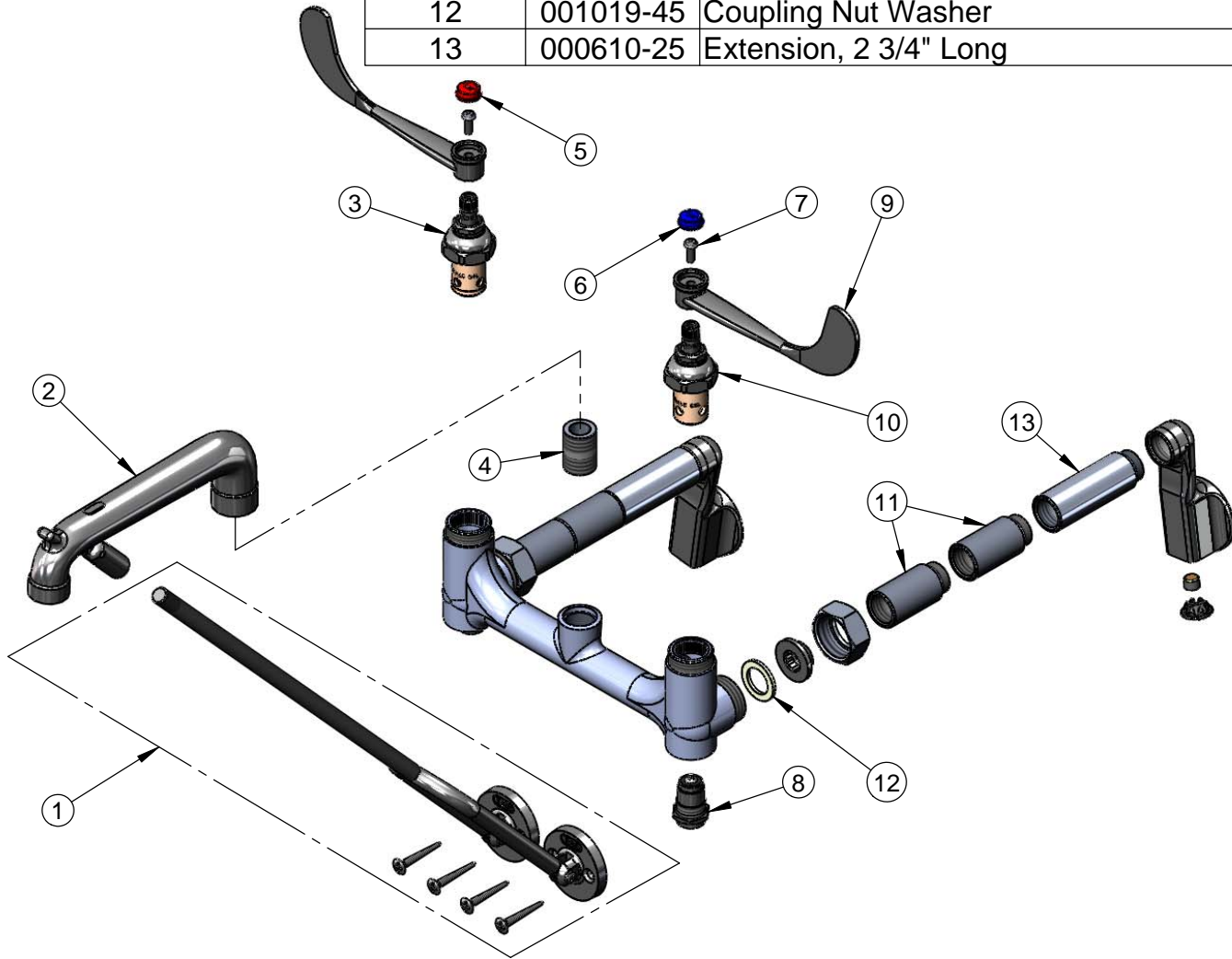
Model No.

B-0652

Item No.

Travelers Rest, SC: 800-476-4103 Simi Valley, CA: 800-423-0150 Fax: 864-834-3518 www.tsbrass.com

ITEM NO.	SALES NO.	DESCRIPTION
1	015476-40	Lower Support Rod Assembly w/ Mounting Screws
2	016844-40	Spout Assembly w/ Lower Clevis
3	012443-40	Hot Eterna Spindle Assembly w/ Spring Check
4	002534-25	Close Nipple, 1/2" x 1 5/32" Lg Rough Chrome
5	001194-45	Red HW Index
6	001686-45	Blue CW Index
7	000925-45	Lab Handle Screw
8	163A	BST Assembly, 163A
9	B-WH6	6" Wrist Action Handle
10	012442-40	Cold Eterna Spindle Assembly w/ Spring Check
11	000611-25	Extension, 1 3/4" Long
12	001019-45	Coupling Nut Washer
13	000610-25	Extension, 2 3/4" Long



Product Specifications:

8" Wall Mount, Service Sink Faucet, Polished Chrome Finish, Built-In Stops, 6" Wrist Action Handles, Lower Support Rod, 1/2" NPT Extended Inlets & Garden Hose Outlet

Drawn DHL	Checked KJG	Approved JHB
Scale: NTS		Date: 9/11/2009