



T&S BRASS AND BRONZE WORKS, INC.

2 Saddleback Cove / P.O. Box 1088
Travelers Rest, SC 29690



REG. #A2601
ISO #9001

Model No.

B-0655-01

Item No.

Travelers Rest, SC: 800-476-4103 Simi Valley, CA: 800-423-0150 Fax: 864-834-3518 www.tsbrass.com

This Space for Architect/Engineer Approval

Job Name _____ Date _____

Model Specified _____ Quantity _____

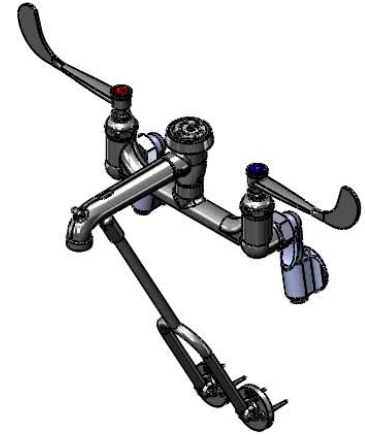
Customer/Wholesaler _____

Contractor _____

Architect/Engineer _____



ADA Compliant



B-WH6
6" Wrist Action Handle
w/ Color Coded Indexes

B-0969
1/2" NPT Vacuum Breaker

Eterna Cartridges w/
Spring Checks

2" [51mm]
Flange

Inlets Adjustable
from 3 1/4" [83mm]
to 12 3/4" [324mm]
Below or Above
Centerline

3/4-11 1/2
Garden Hose
Male Thread

Lower Wall Support
Assembly Furnished
w/ Wall Bracket &
Mounting Screws

2 7/16"
[62mm]

00XX
Adjustable Flange w/
1/2" NPT Female Inlets
& Screwdriver Stops

(11 1/8")
[283mm]

9 3/16"
[233mm]

Mounting Surface

Product Specifications:

8" Wall Mount, Service Sink Faucet, Polished Chrome Finish, 6" Wrist Action Handles, Lower Support Rod, 1/2" NPT Adjustable Inlets w/ Supply Stops, Garden Hose Outlet & 1/2" NPT Vacuum Breaker

Drawn
DHL

Checked
KJG

Approved
JHB

Scale:

NTS

Date:

9/11/2009



T&S BRASS AND BRONZE WORKS, INC.

2 Saddleback Cove / P.O. Box 1088
Travelers Rest, SC 29690



REG. #A2601
ISO #9001

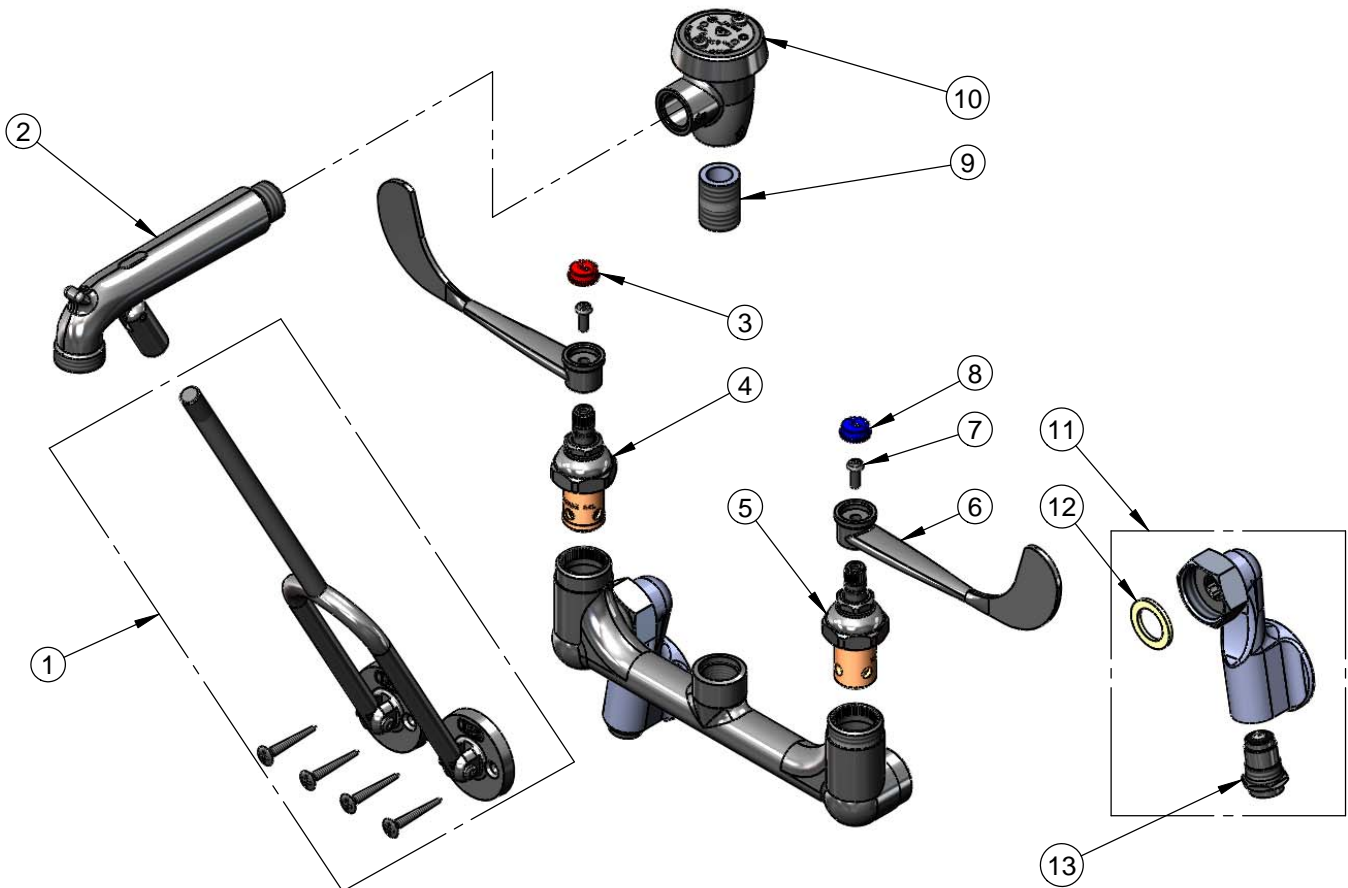
Model No.

B-0655-01

Item No.

Travelers Rest, SC: 800-476-4103 Simi Valley, CA: 800-423-0150 Fax: 864-834-3518 www.tsbrass.com

ITEM NO.	SALES NO.	DESCRIPTION
1	009616-40	Lower Support Rod Assembly w/ Mounting Screws
2	016450-40	Spout Assembly, Polished Chrome w/ Bottom Support Clevis
3	001194-45	Red HW Index
4	012443-40	Hot Eterna Spindle Assembly w/ Spring Check
5	012442-40	Cold Eterna Spindle Assembly w/ Spring Check
6	B-WH6	6" Wrist Action Handle
7	000925-45	Lab Handle Screw </td
8	001686-45	Blue CW Index
9	002534-25	Close Nipple, 1/2" x 1 5/32" Lg Rough Chrome
10	B-0969	Vacuum Breaker, 1/2"
11	00XX	1/2" NPT Adjustable Inlet Flange w/ Screw Driver Stop
12	001019-45	Coupling Nut Washer
13	163A	BST Assembly, 163A



Product Specifications:

8" Wall Mount, Service Sink Faucet, Polished Chrome Finish, 6" Wrist Action Handles, Lower Support Rod, 1/2" NPT Adjustable Inlets w/ Supply Stops, Garden Hose Outlet & 1/2" NPT Vacuum Breaker

Drawn	Checked	Approved
DHL	KJG	JHB
Scale:		Date:
1:4		9/11/2009