



# T&S BRASS AND BRONZE WORKS, INC.

2 Saddleback Cove / P.O. Box 1088  
Travelers Rest, SC 29690



REG. #A2601  
ISO #9001

Model No.

**B-0657-01**

Item No.

Travelers Rest, SC: 800-476-4103 Simi Valley, CA: 800-423-0150 Fax: 864-834-3518 www.tsbrass.com

This Space for Architect/Engineer Approval

Job Name \_\_\_\_\_ Date \_\_\_\_\_

Model Specified \_\_\_\_\_ Quantity \_\_\_\_\_

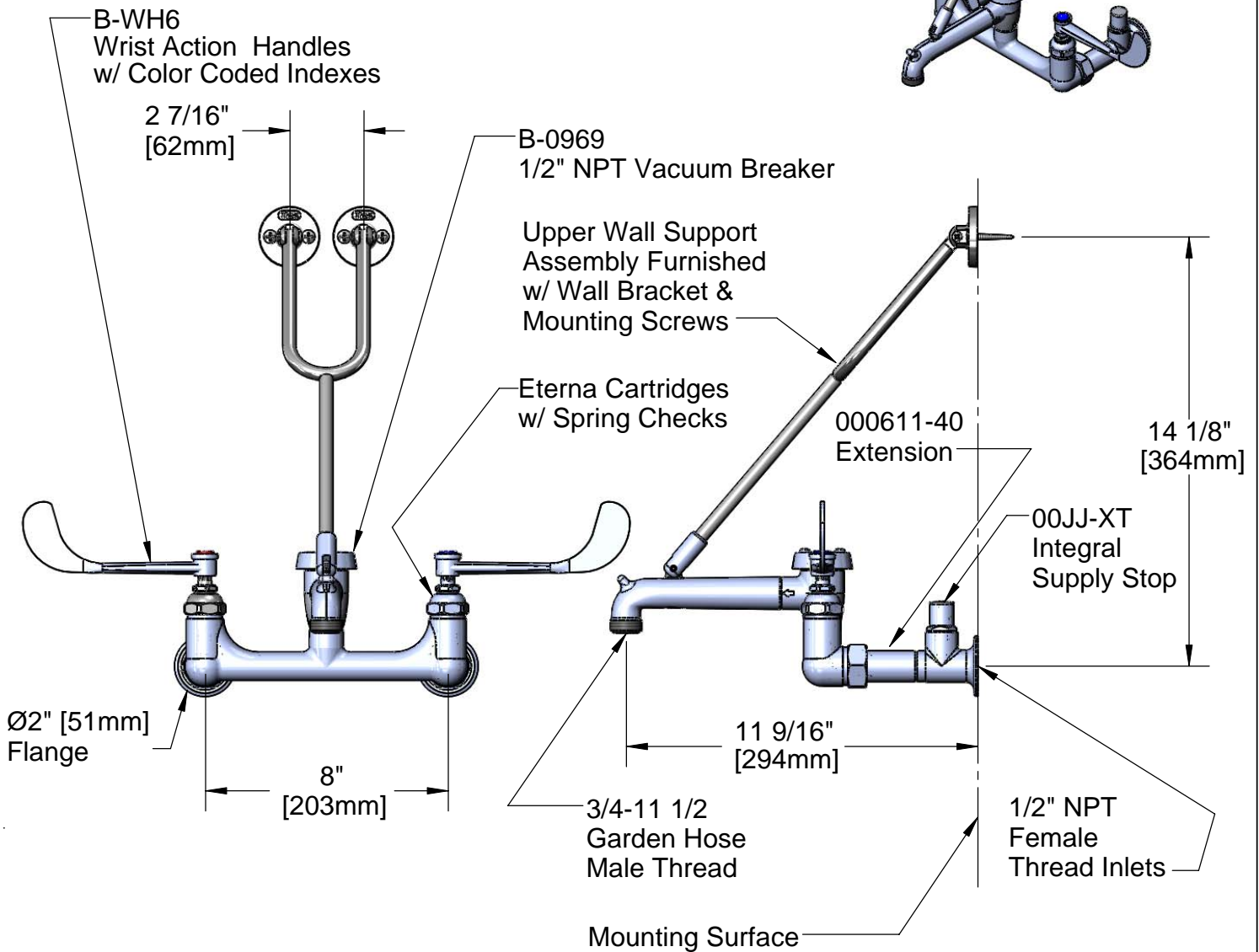
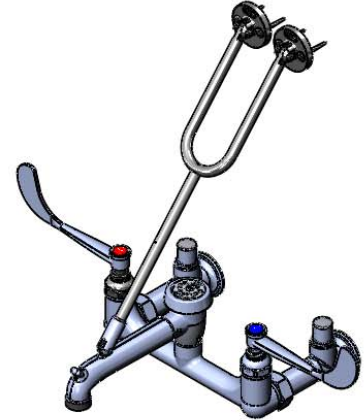
Customer/Wholesaler \_\_\_\_\_

Contractor \_\_\_\_\_

Architect/Engineer \_\_\_\_\_



**ADA Compliant**



**Product Specifications:**

8" Wall Mount Service Sink, Polish Chrome Finish, 6" Wrist Action Handles, Upper Support Rod, 1/2" NPT Extended Inlets w/ Integral Stops, Garden Hose Outlet & 1/2" Vacuum Breaker

Drawn <b>DHL</b>	Checked <b>KJG</b>	Approved <b>JHB</b>
Scale: <b>NTS</b>		Date: <b>08/18/09</b>



**T&S BRASS AND BRONZE WORKS, INC.**

2 Saddleback Cove / P.O. Box 1088  
Travelers Rest, SC 29690



REG. #A2601  
ISO #9001

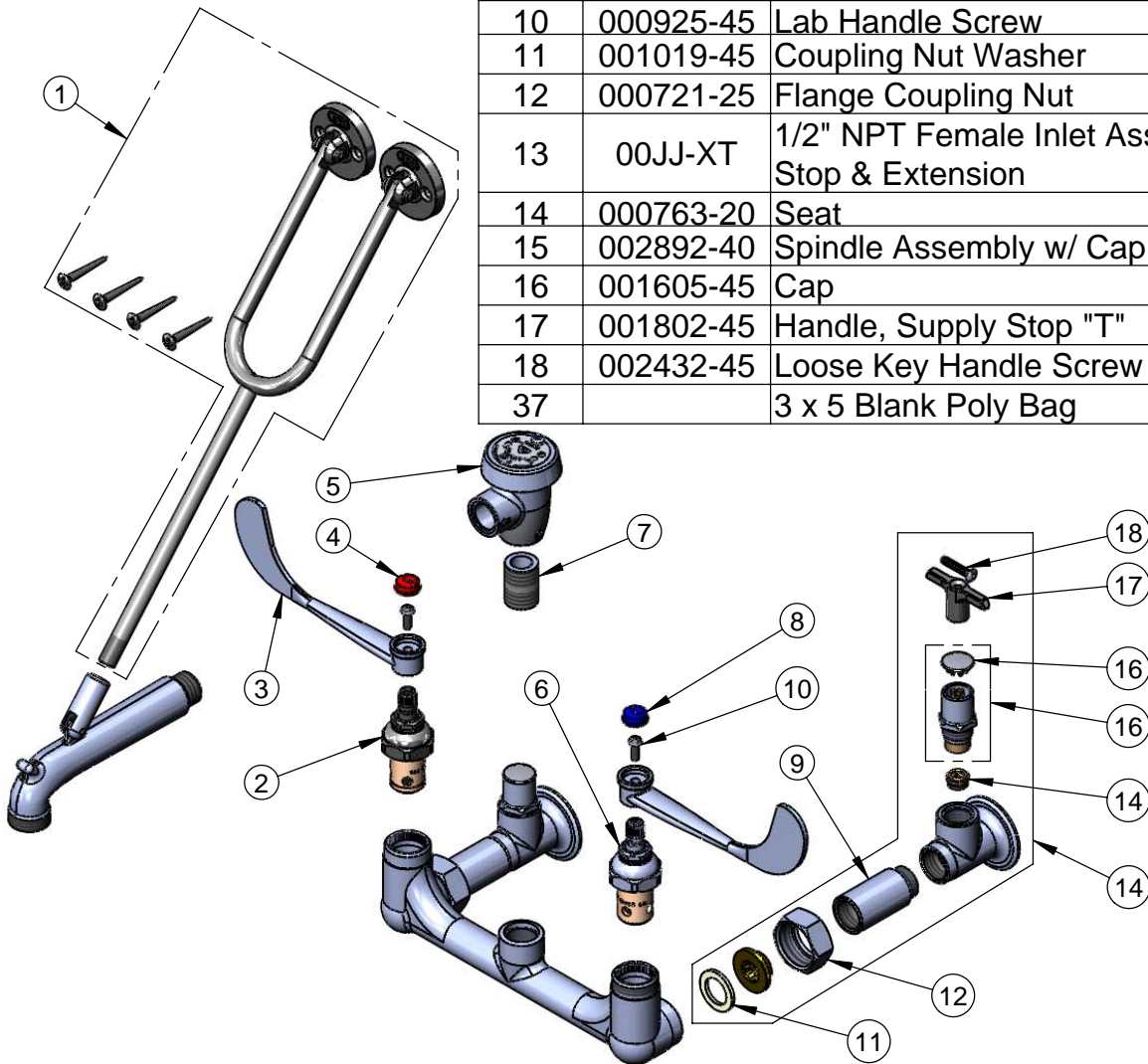
Model No.

**B-0657-01**

Item No.

Travelers Rest, SC: 800-476-4103 Simi Valley, CA: 800-423-0150 Fax: 864-834-3518 www.tsbrass.com

ITEM NO.	SALES NO.	DESCRIPTION
1	009616-40	Lower Support Rod Assembly w/ Mounting Screws
2	012443-40	Hot Eterna Spindle Assembly w/ Spring Check
3	B-WH6	6" Wrist Action Handle
4	001194-45	Red HW Index
5	B-0969	Vacuum Breaker, 1/2"
6	012442-40	Cold Eterna Spindle Assembly w/ Spring Check
7	002534-25	Close Nipple, 1/2" x 1 5/32" Lg Rough Chrome
8	001686-45	Blue CW Index
9	000611-25	Extension, 1 3/4" Long
10	000925-45	Lab Handle Screw
11	001019-45	Coupling Nut Washer
12	000721-25	Flange Coupling Nut
13	00JJ-XT	1/2" NPT Female Inlet Assembly w/ Integral Stop & Extension
14	000763-20	Seat
15	002892-40	Spindle Assembly w/ Cap
16	001605-45	Cap
17	001802-45	Handle, Supply Stop "T"
18	002432-45	Loose Key Handle Screw
37		3 x 5 Blank Poly Bag



Product Specifications:

8" Wall Mount Service Sink, Polish Chrome Finish, 6" Wrist Action Handles, Upper Support Rod, 1/2" NPT Extended Inlets w/ Integral Stops, Garden Hose Outlet & 1 1/2" Vacuum Breaker

Drawn <b>DHL</b>	Checked <b>KJG</b>	Approved <b>JHB</b>
Scale: <b>NTS</b>		Date: <b>08/18/09</b>