



# T&S BRASS AND BRONZE WORKS, INC.

2 Saddleback Cove / P.O. Box 1088  
Travelers Rest, SC 29690



REG. #A2601  
ISO #9001

Model No.

**B-0664-01**

Item No.

Travelers Rest, SC: 800-476-4103 Simi Valley, CA: 800-423-0150 Fax: 864-834-3518 www.tsbrass.com

This Space for Architect/Engineer Approval

Job Name \_\_\_\_\_ Date \_\_\_\_\_

Model Specified \_\_\_\_\_ Quantity \_\_\_\_\_

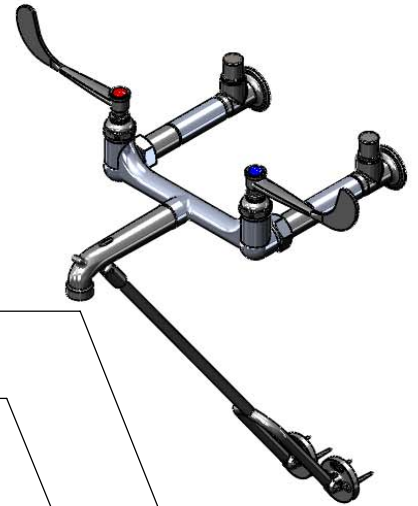
Customer/Wholesaler \_\_\_\_\_

Contractor \_\_\_\_\_

Architect/Engineer \_\_\_\_\_



**ADA Compliant**



00JJ  
Integral  
Supply Stop

000610-25  
Extension

000611-25  
Extension

B-WH6  
6" Wrist Action Handle  
w/ Color Coded Indexes

Eterna Cartridges w/  
Spring Checks

Ø2" [51mm]  
Flange

1/2" NPT  
Female  
Thread Inlet

7 7/8"  
[200mm]

Plain End  
Outlet

Lower Wall Support  
Assembly Furnished  
w/ Wall Bracket &  
Mounting Screws

Mounting Surface

17 1/4"  
[439mm]

2 7/16"  
[62mm]

8" c/c  
[203mm]

14 3/16"  
[361mm]

Product Specifications:

8" Centers Service Sink w/ Plain End Spout, Polish Chrome,  
Lower Wall Support, 6" Wrist Action Handles & 00JJ Integral  
Stops w/ "T" Handle

Drawn  
**DHL**

Checked  
**KJG**

Approved  
**JHB**

Scale:

**NTS**

Date:

**01/13/2010**



# T&S BRASS AND BRONZE WORKS, INC.

2 Saddleback Cove / P.O. Box 1088  
Travelers Rest, SC 29690



REG. #A2601  
ISO #9001

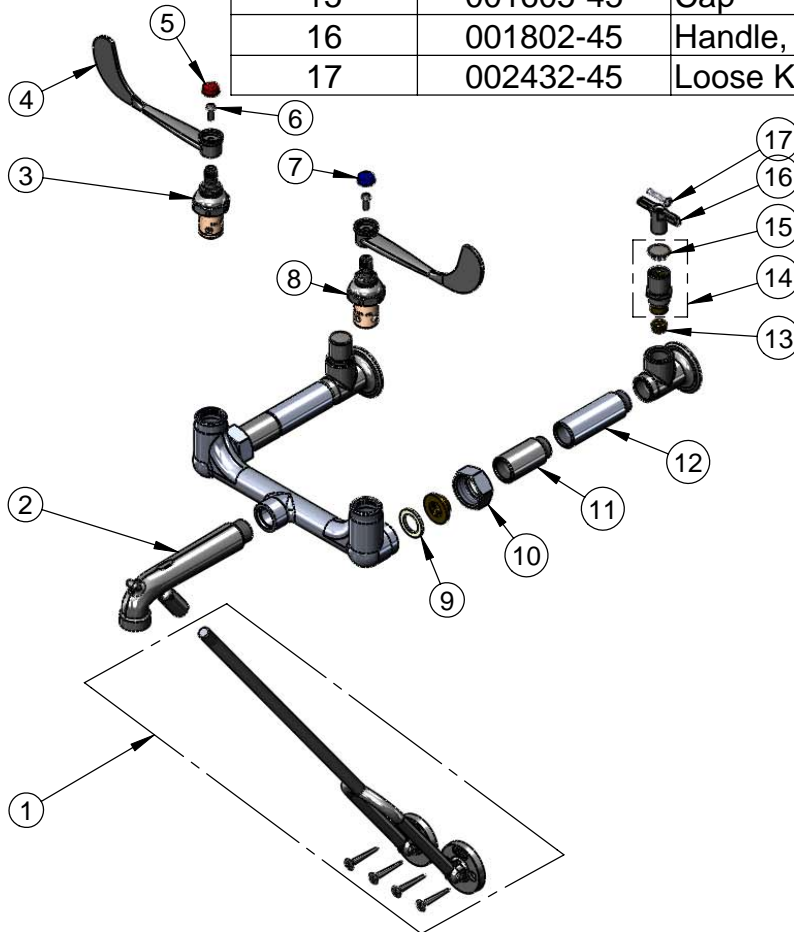
Model No.

**B-0664-01**

Item No.

Travelers Rest, SC: 800-476-4103 Simi Valley, CA: 800-423-0150 Fax: 864-834-3518 www.tsbrass.com

ITEM NO.	SALES NO.	DESCRIPTION
1	015476-40	Lower Support Rod Assembly (Long)
2	017535-40	Spout Assembly, Plain Outlet & Lower Clevis
3	012443-40	Hot Eterna Spindle Assembly w/ Spring Check
4	B-WH6	6" Wrist Action Handle
5	001194-45	Red HW Index
6	000925-45	Lab Handle Screw
7	001686-45	Blue CW Index
8	012442-40	Cold Eterna Spindle Assembly w/ Spring Check
9	001019-45	Coupling Nut Washer
10	000721-25	Flange Coupling Nut
11	000611-25	Extension, 1 3/4" Long
12	000610-25	Extension, 2 3/4" Long
13	000763-20	Seat
14	002892-40	Spindle Asm w/ Cap
15	001605-45	Cap
16	001802-45	Handle, Supply Stop "T"
17	002432-45	Loose Key Handle Screw



**Product Specifications:**

8" Centers Service Sink w/ Plain End Spout, Polish Chrome, Lower Wall Support, 6" Wrist Action Handles & 00JJ Integral Stops w/ "T" Handle

Drawn <b>DHL</b>	Checked <b>KJG</b>	Approved <b>JHB</b>
Scale: <b>NTS</b>		Date: <b>01/13/2010</b>