



T&S BRASS AND BRONZE WORKS, INC.

2 Saddleback Cove / P.O. Box 1088
Travelers Rest, SC 29690



REG. #A2601
ISO #9001

Model No.

B-0664-03

Item No.

Travelers Rest, SC: 800-476-4103 Simi Valley, CA: 800-423-0150 Fax: 864-834-3518 www.tsbrass.com

This Space for Architect/Engineer Approval

Job Name _____ Date _____

Model Specified _____ Quantity _____

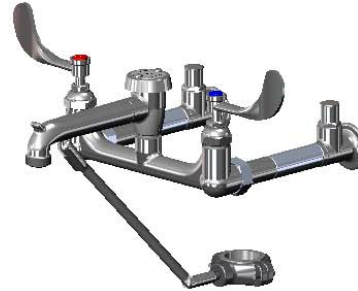
Customer/Wholesaler _____

Contractor _____

Architect/Engineer _____



ADA Compliant



Hot & Cold
Eterna Cartridges
w/ Spring Check
& 4" Wrist Action
Handles w/ Color
Coded Indexes

B-0969
1/2" Vacuum
Breaker

Wall

7 7/8" [200mm]

Integral Service
Stops

Adjustable

3/4-11 1/2 Male
Garden Hose Outlet

Split-Ring Clamp
Assembly Fastens
to Ø 1-1/2" O.D.
Flush Tube (not shown)

14 5/16" [364mm]

Ø 2" [51mm]
Flanges w/
1/2" NPT
Female
Inlets

8" c/c
[203mm]

Inlets Adjustable
from 7 3/4" to 8 1/4"
[197mm to 210mm]

Product Specifications:

Service Sink Faucet, Polished Chrome Finish w/ Split-Ring Lower Support Clamp for use on Ø 1-1/2" Flush Tubes, 4" Wrist Handles, Vacuum Breaker, 1/2" NPT Female Inlets, Integral Service Stops & Garden Hose Outlet

Drawn
DHL

Checked
KJG

Approved
JHB

Scale:

1:4

Date:

08/10/10



T&S BRASS AND BRONZE WORKS, INC.

2 Saddleback Cove / P.O. Box 1088
Travelers Rest, SC 29690



REG. #A2601
ISO #9001

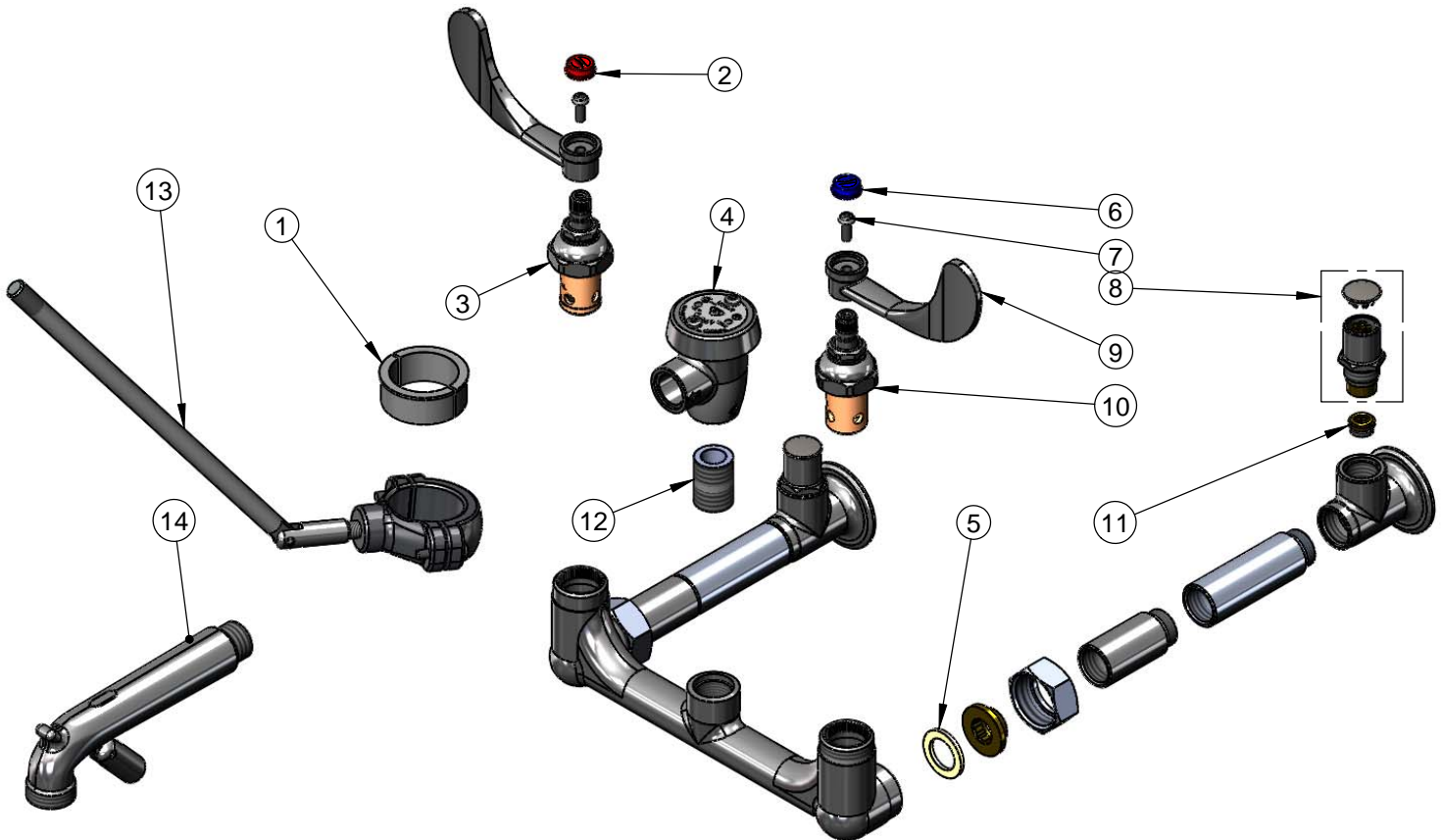
Model No.

B-0664-03

Item No.

Travelers Rest, SC: 800-476-4103 Simi Valley, CA: 800-423-0150 Fax: 864-834-3518 www.tsbrass.com

ITEM NO.	SALES NO.	DESCRIPTION
1	016863-20	Clamp Split Bushing (Set of 2 Halves)
2	001194-45	Red HW Index
3	012443-40	Hot Eterna Spindle Assembly w/ Spring Check
4	B-0969	Vacuum Breaker, 1/2"
5	001019-45	Coupling Nut Washer
6	001686-45	Blue CW Index
7	000925-45	Lab Handle Screw
8	002892-40	Stop Spindle Assembly w/ Cap
9	B-WH4	4" Wrist Action Handle
10	012442-40	Cold Eterna Spindle Assembly w/ Spring Check
11	000763-20	Seat
12	002534-25	Close Nipple, 1/2" x 1 5/32" Lg Rough Chrome
13	017882-40	Split Ring Pipe Clamp Lower Assembly
14	016450-40	Spout Assembly, Polish Chrome w/ Lower Clevis



Product Specifications:

Service Sink Faucet, Polished Chrome Finish w/ Split-Ring Lower Support Clamp for use on Ø 1-1/2" Flush Tubes, 4" Wrist Handles, Vacuum Breaker, 1/2" NPT Female Inlets, Integral Service Stops & Garden Hose Outlet

Drawn DHL	Checked KJG	Approved JHB
Scale: 1:4		Date: 08/10/10