



T&S BRASS AND BRONZE WORKS, INC.

2 Saddleback Cove / P.O. Box 1088
Travelers Rest, SC 29690



REG. #A2601
ISO #9001

Model No.

B-0664-05

Item No.

Travelers Rest, SC: 800-476-4103 Simi Valley, CA: 800-423-0150 Fax: 864-834-3518 www.tsbrass.com

This Space for Architect/Engineer Approval

Job Name _____ Date _____

Model Specified _____ Quantity _____

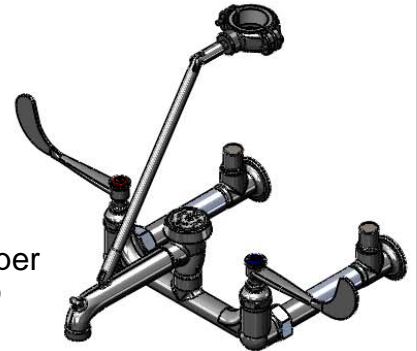
Customer/Wholesaler _____

Contractor _____

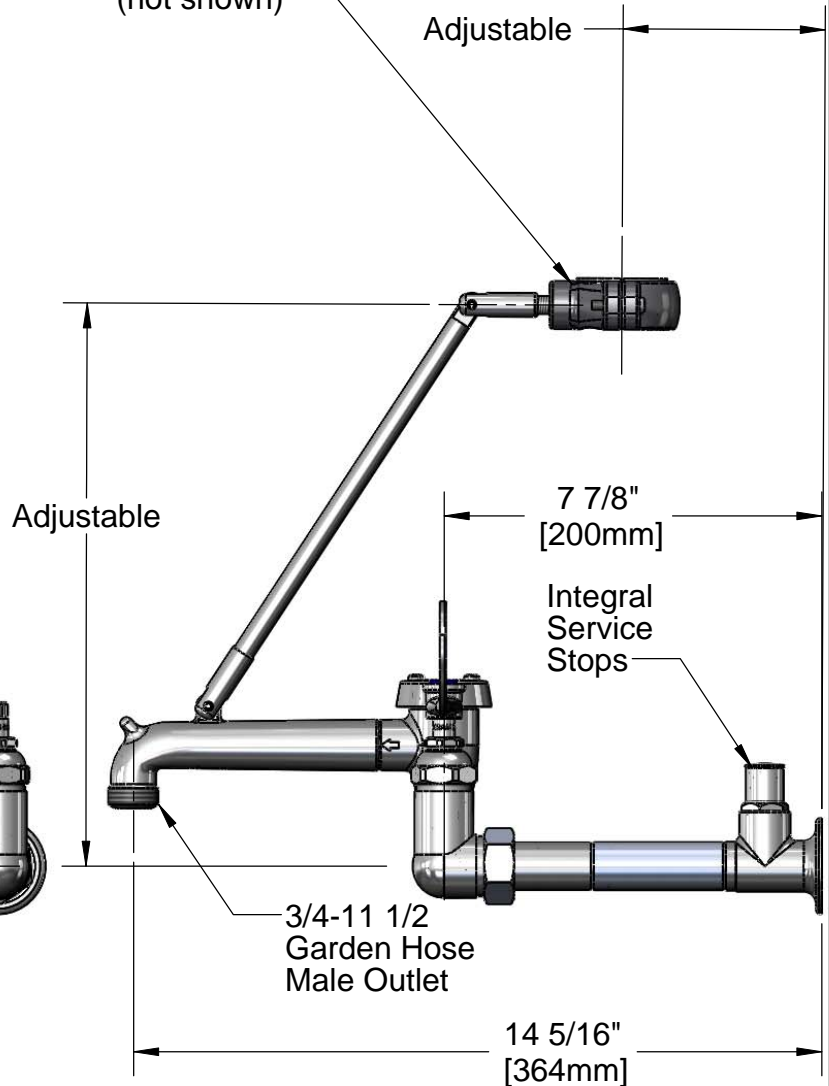
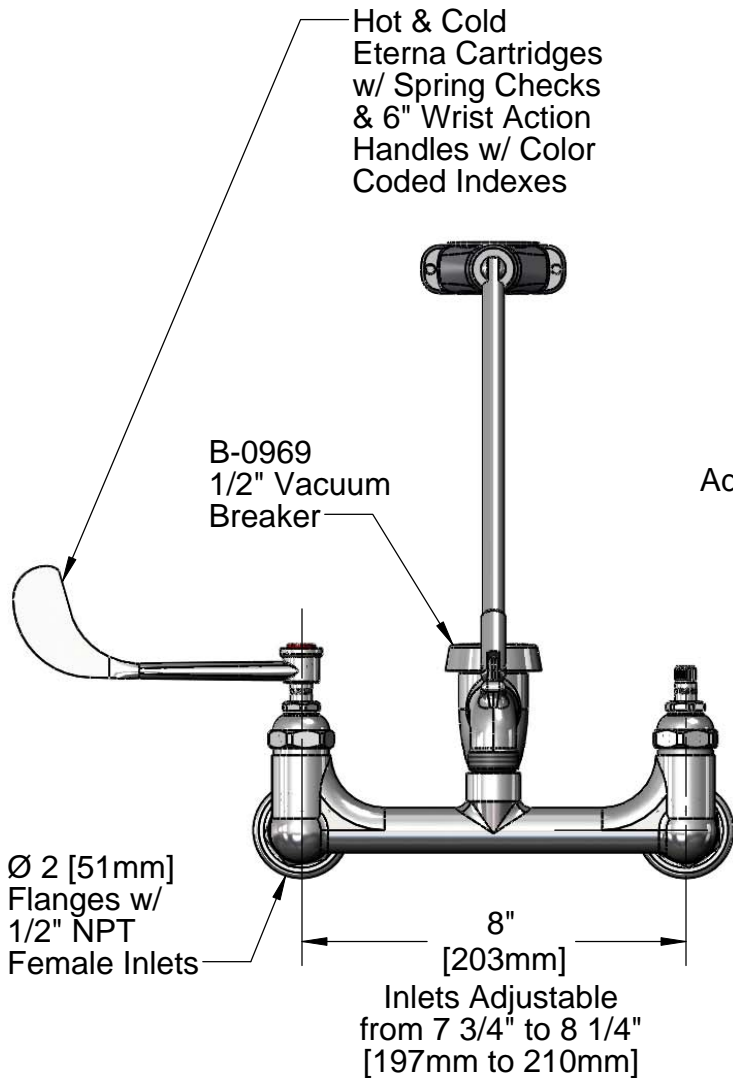
Architect/Engineer _____



ADA Compliant



Split-Ring Clamp Upper Assembly Fastens to \varnothing 1-1/2" O.D. Flush Tube (not shown)



Product Specifications:

Service Sink Faucet, Polished Chrome Finish w/ Split-Ring Clamp Upper Assembly for use on \varnothing 1-1/2" O.D. Flush Tubes, 6" Wrist Handles, Vacuum Breaker, 1/2" NPT Female Inlets, Integral Stop & Garden Hose Outlet

Drawn DHL	Checked KJG	Approved JHB
Scale: 1:4		Date: 08/10/10



T&S BRASS AND BRONZE WORKS, INC.

2 Saddleback Cove / P.O. Box 1088
Travelers Rest, SC 29690



REG. #A2601
ISO #9001

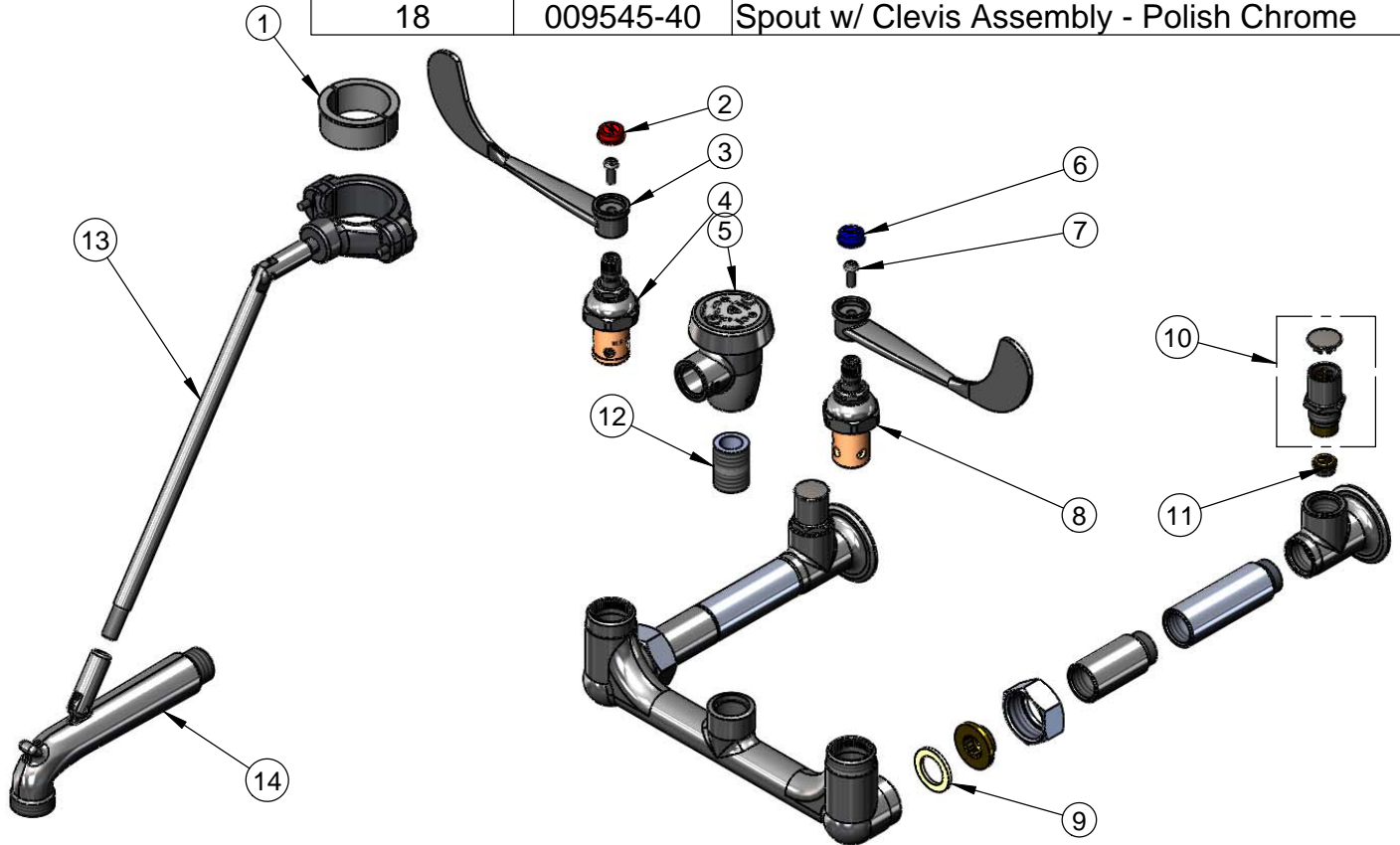
Model No.

B-0664-05

Item No.

Travelers Rest, SC: 800-476-4103 Simi Valley, CA: 800-423-0150 Fax: 864-834-3518 www.tsbrass.com

ITEM NO.	SALES NO.	DESCRIPTION
1	016863-20	Clamp Split Bushing (Set of 2 halves)
2	001194-45	Red HW Index
3	B-WH6	6" Wrist Action Handle
4	012443-40	Hot Eterna Spindle Assembly w/ Spring Check
5	B-0969	Vacuum Breaker, 1/2"
6	001686-45	Blue CW Index
7	000925-45	Lab Handle Screw
8	012442-40	Cold Eterna Spindle Assembly w/ Spring Check
9	001019-45	Coupling Nut Washer
10	002892-40	Stop Spindle Assembly w/ Cap
11	000763-20	Seat
12	002534-25	Close Nipple, 1/2" x 1 5/32" Lg Rough Chrome
13	016449-40	Split Ring Pipe Clamp Upper Assembly
14	009545-40	Spout Assembly, Polish Chrome w/ Clevis
18	009545-40	Spout w/ Clevis Assembly - Polish Chrome



Product Specifications:

Service Sink Faucet, Polished Chrome Finish w/ Split-Ring Clamp Upper Assembly for use on Ø 1-1/2" O.D. Flush Tubes, 6" Wrist Handles, Vacuum Breaker, 1/2" NPT Female Inlets, Integral Stop & Garden Hose Outlet

Drawn DHL	Checked KJG	Approved JHB
Scale: NTS		Date: 08/10/10