



# T&S BRASS AND BRONZE WORKS, INC.

2 Saddleback Cove / P.O. Box 1088  
Travelers Rest, SC 29690



REG. #A2601  
ISO #9001

Model No.

**B-0665-POL**

Item No.

Travelers Rest, SC: 800-476-4103 Simi Valley, CA: 800-423-0150 Fax: 864-834-3518 www.tsbrass.com

This Space for Architect/Engineer Approval

Job Name \_\_\_\_\_ Date \_\_\_\_\_

Model Specified \_\_\_\_\_ Quantity \_\_\_\_\_

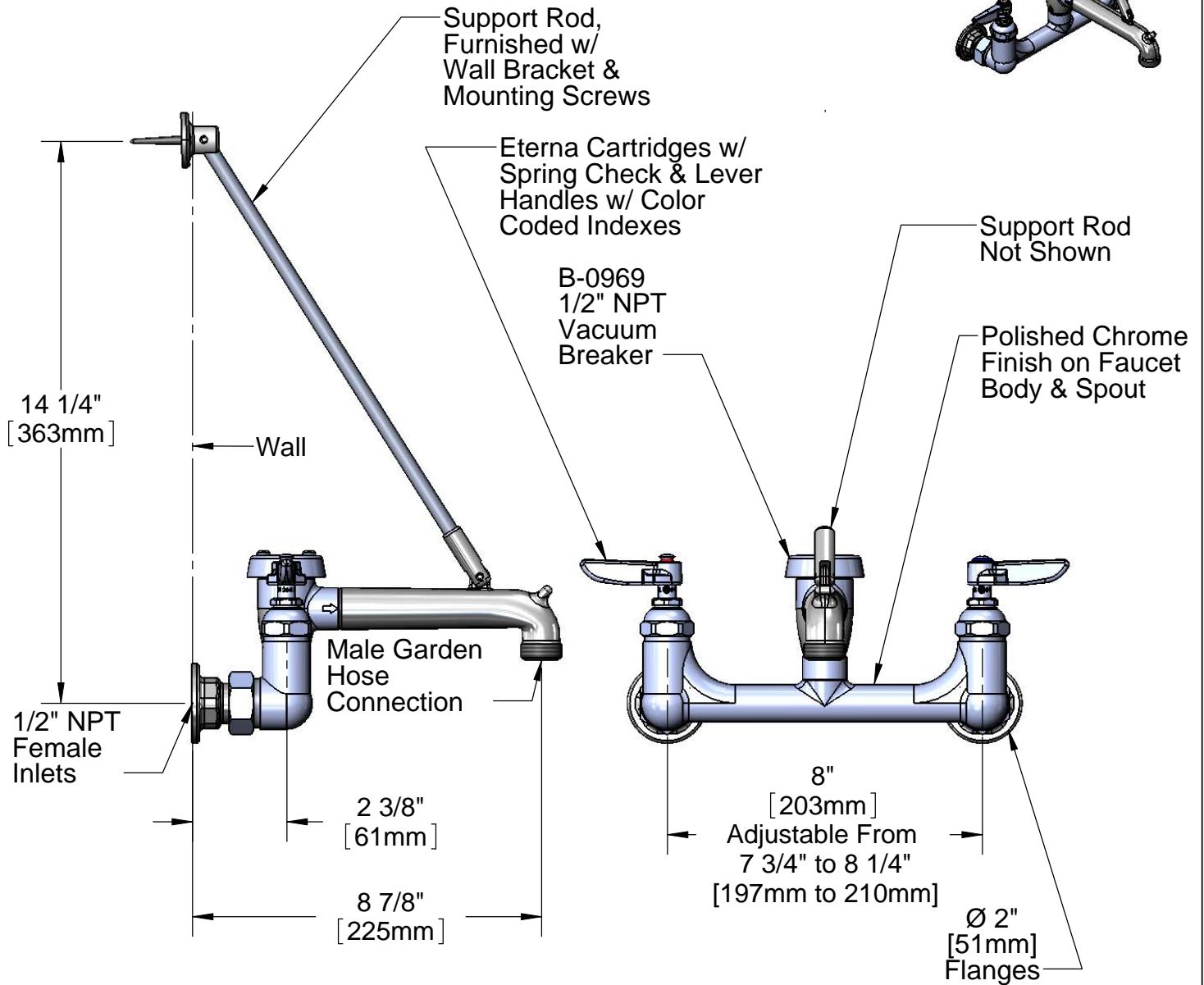
Customer/Wholesaler \_\_\_\_\_

Contractor \_\_\_\_\_

Architect/Engineer \_\_\_\_\_



**ADA Compliant**



Product Specifications:

Service Sink, Eterna Spring Check Cartridges, Lever Handles, Polished Chrome

Drawn <b>DHL</b>	Checked <b>JRM</b>	Approved <b>JHB</b>
Scale: <b>1:4</b>		Date: <b>03/22/11</b>



**T&S BRASS AND BRONZE WORKS, INC.**

2 Saddleback Cove / P.O. Box 1088  
Travelers Rest, SC 29690



REG. #A2601  
ISO #9001

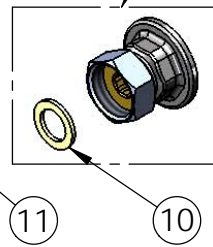
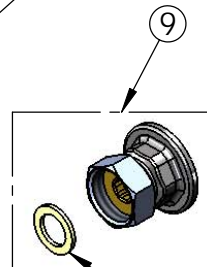
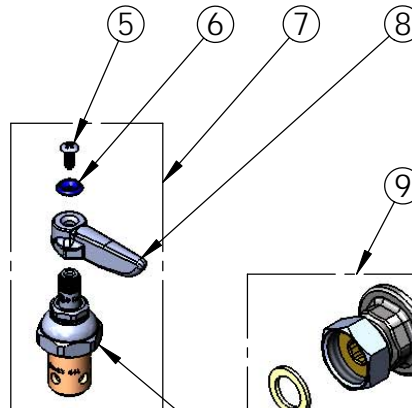
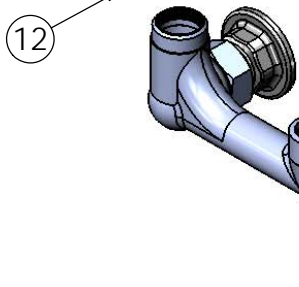
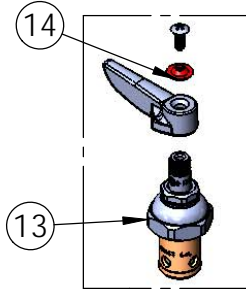
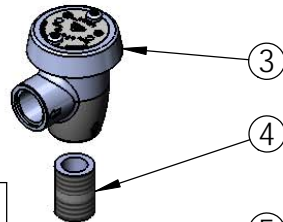
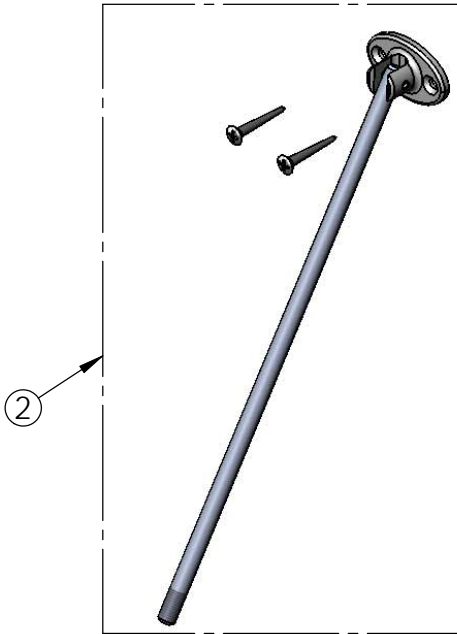
Model No.

**B-0665-POL**

Item No.

Travelers Rest, SC: 800-476-4103 • Simi Valley, CA: 800-423-0150 • Fax: 864-834-3518 • www.tsbrass.com

ITEM NO.	SALES NO.	DESCRIPTION
1	009545-40	Spout Asm Polish Chrome w/ Top Support Clevis
2	009546-40	Suprt Rod B-0665 - Polish Chrome
3	B-0969	Vacuum Breaker, 1/2"
4	002534-25	Close Nipple, 1/2" x 1 5/32" Lg Rough Chrome
5	000922-45	Lever Handle Screw
6	001660-45	Blue Index-CW
7	002711-40	Cold Eterna Spindle Asm, w/ Spring Check, Handle, Index & Screw
8	001638-45	Lever Handle
9	00AA	1/2" NPT Inlet Flange
10	001019-45	Coupling Nut Washer
11	012442-40	Cold Eterna Spindle Assembly w/ Spring Check
12	002712-40	Hot Eterna Spindle Asm, w/ Spring Check, Handle, Index & Screw
13	012443-40	Hot Eterna Spindle Assembly w/ Spring Check
14	001661-45	Red Index-HW



Product Specifications:  
Service Sink, Eterna Spring Check Cartridges,  
Lever Handles, Polished Chrome

Drawn  
DHL

Checked  
JRM

Approved  
JHB

Scale:  
NTS

Date:  
03/22/11