



T&S BRASS AND BRONZE WORKS, INC.

2 Saddleback Cove / P.O. Box 1088
Travelers Rest, SC 29690



REG. #A2601
ISO #9001

Model No.
B-0667-WW-POL

Item No.

Travelers Rest, SC: 800-476-4103 Simi Valley, CA: 800-423-0150 Fax: 864-834-3518 www.tsbrass.com

This Space for Architect/Engineer Approval

Job Name _____ Date _____

Model Specified _____ Quantity _____

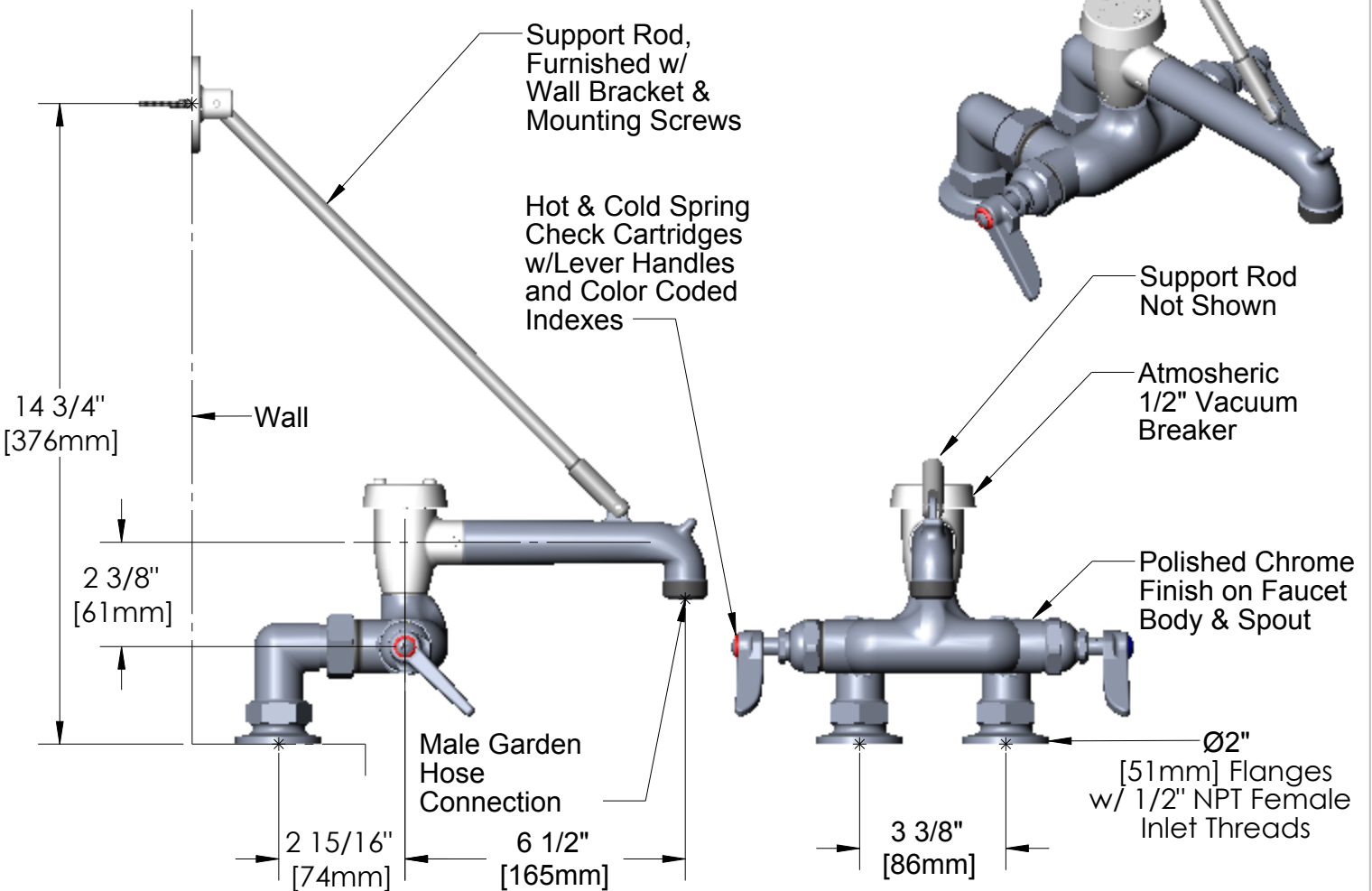
Customer/Wholesaler _____

Contractor _____

Architect/Engineer _____



- Variations or Applicable Options:
- WH6 6" Wrist Action Handles
 - WH4 4" Wrist Action Handles
 - 175F 4-Arm Kitchen Handles



Product Specifications:

Service Sink, Polished Chrome w/ Spring Check Cartridges, Lever Handles & "00WW" 90° Mounting Flanges

Drawn DHL	Checked WJS	Approved JHB
Scale: 1:4		Date: 12/01/06



T&S BRASS AND BRONZE WORKS, INC.

2 Saddleback Cove / P.O. Box 1088
Travelers Rest, SC 29690



REG. #A2601
ISO #9001

Model No.
B-0667-WW-POL

Item No.

Travelers Rest, SC: 800-476-4103 Simi Valley, CA: 800-423-0150 Fax: 864-834-3518 www.tsbrass.com

ITEM NO.	SALES NO.	DESCRIPTION
1	002712-40	Spindle Asm, Hot Eterna
2	002711-40	Spindle Asm, Cold Eterna
3	009546-40	Rod Asm, Upper Support
4	B-0969	Vacuum Breaker, 1/2"
5	002534-25	Nipple, Rough Chrome 1/2" Close
6	00WW	Flange, 1/2" NPT 90° Female
7	001019-45	Washer, Coupling Nut



Product Specifications:

Service Sink, Polished Chrome w/ Spring Check Cartridges, Lever Handles & "00WW" 90° Mounting Flanges

Drawn DHL	Checked WJS	Approved JHB
Scale: 1:4		Date: 12/01/06