



# T&S BRASS AND BRONZE WORKS, INC.

2 Saddleback Cove / P.O. Box 1088  
Travelers Rest, SC 29690

Model No.

**B-0669-01**

Item No.

Travelers Rest, SC: 800-476-4103 • Simi Valley, CA: 800-423-0150 • Fax: 864-834-3518 • www.tsbrass.com

This Space for Architect/Engineer Approval

Job Name \_\_\_\_\_ Date \_\_\_\_\_

Model Specified \_\_\_\_\_ Quantity \_\_\_\_\_

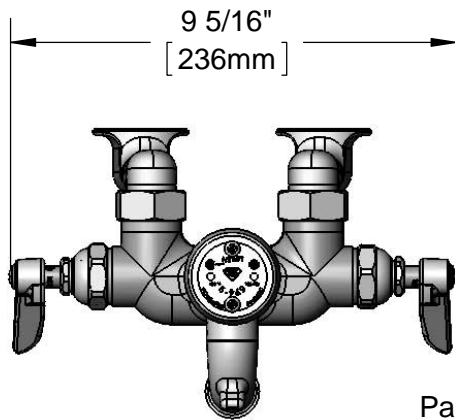
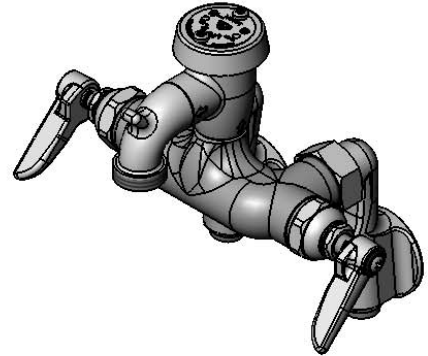
Customer/Wholesaler \_\_\_\_\_

Contractor \_\_\_\_\_

Architect/Engineer \_\_\_\_\_

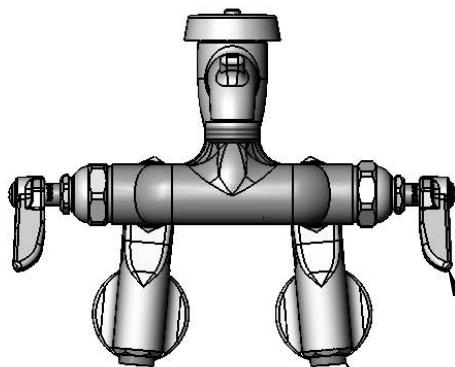


**ADA Compliant**



Pail Hook Spout  
w/ 3/4" Male Garden  
Hose Threaded Outlet

B-0969  
1/2" NPT  
Vacuum  
Breaker



1 1/16"  
[27mm]

3 9/16"  
[91mm]

Mounting  
Surface

6 3/8"  
[161mm]

Ø 2" [51mm]  
Flanges w/  
1/2" NPT  
Female Inlets

Eterna Cartridges w/  
Spring Checks &  
Lever Handles w/  
Color Coded Indexes

Screwdriver Stops

3 1/16"  
[78mm]

5 7/16"  
[139mm]

4"  
[101mm]  
Adjustable From  
2 1/4" to 8 1/4"  
[57mm to 210mm]  
Above or Below Centerline

**Product Specifications:**

Polish Chrome Service Sink Faucet, Garden Hose Outlet Spout  
w/ Pail Hook, 1/2" NPT Vacuum Breaker & 1/2" NPT Female  
Adjustable Inlets

Drawn

**DHL**

Checked

**DMH**

Approved

**JHB**

Scale:

**1:4**

Date:

**11/02/12**



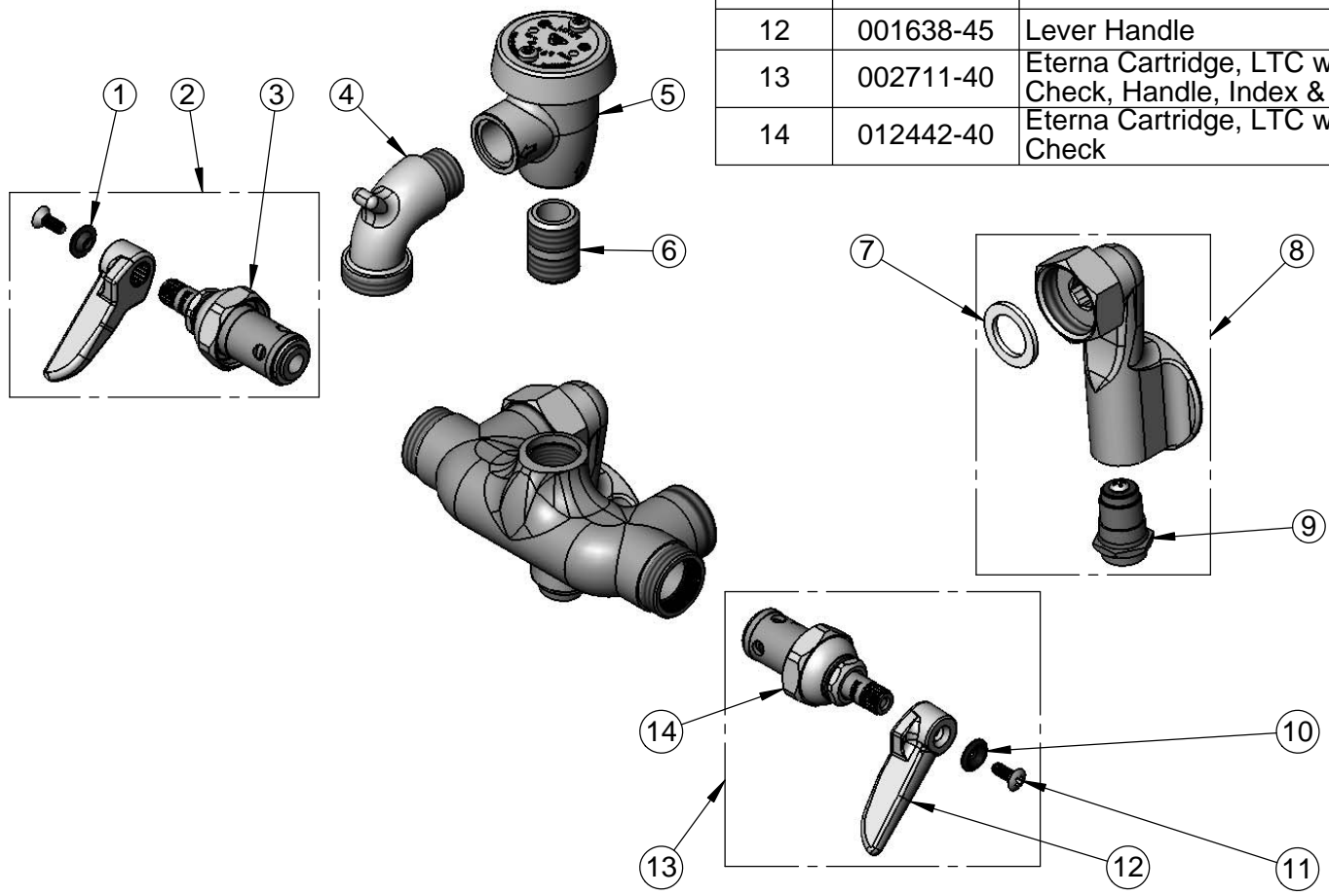
**T&S BRASS AND BRONZE WORKS, INC.**  
 2 Saddleback Cove / P.O. Box 1088  
 Travelers Rest, SC 29690

Model No.  
**B-0669-01**

Item No.

Travelers Rest, SC: 800-476-4103 • Simi Valley, CA: 800-423-0150 • Fax: 864-834-3518 • www.tsbrass.com

| ITEM NO. | SALES NO. | DESCRIPTION                                                  |
|----------|-----------|--------------------------------------------------------------|
| 1        | 001661-45 | Red Index-HW                                                 |
| 2        | 002712-40 | Eterna Cartridge, RTC w/ Spring Check, Handle, Index & Screw |
| 3        | 012443-40 | Eterna Cartridge, RTC w/ Spring Check                        |
| 4        | 000270-40 | Spout, Garden Hose Outlet                                    |
| 5        | B-0969    | 1/2" NPT Vacuum Breaker                                      |
| 6        | 002534-25 | Close Nipple, 1/2" x 1 5/32" Lg Rough Chrome                 |
| 7        | 001019-45 | Coupling Nut Washer                                          |
| 8        | 00XX      | 1/2" Female Inlet Adjustable Flange w/ Screwdriver Stop      |
| 9        | 163A      | BST Screwdriver Stop                                         |
| 10       | 001660-45 | Blue Index-CW                                                |
| 11       | 000922-45 | Lever Handle Screw                                           |
| 12       | 001638-45 | Lever Handle                                                 |
| 13       | 002711-40 | Eterna Cartridge, LTC w/ Spring Check, Handle, Index & Screw |
| 14       | 012442-40 | Eterna Cartridge, LTC w/ Spring Check                        |



Product Specifications:  
 Polish Chrome Service Sink Faucet, Garden Hose Outlet Spout  
 w/ Pail Hook, 1/2" NPT Vacuum Breaker & 1/2" NPT Female  
 Adjustable Inlets

|                      |                       |                          |
|----------------------|-----------------------|--------------------------|
| Drawn<br><b>DHL</b>  | Checked<br><b>DMH</b> | Approved<br><b>JHB</b>   |
| Scale:<br><b>NTS</b> |                       | Date:<br><b>11/02/12</b> |