



# T&S BRASS AND BRONZE WORKS, INC.

2 Saddleback Cove / P.O. Box 1088  
Travelers Rest, SC 29690

Model No.

**B-0669-RGH**

Item No.

Travelers Rest, SC: 800-476-4103 • Simi Valley, CA: 800-423-0150 • Fax: 864-834-3518 • www.tsbrass.com



**ADA Compliant**

This Space for Architect/Engineer Approval

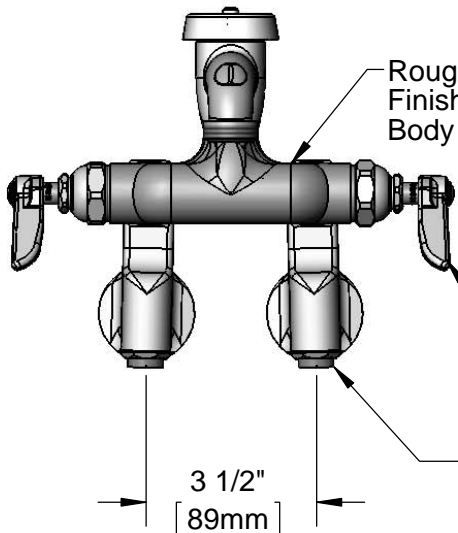
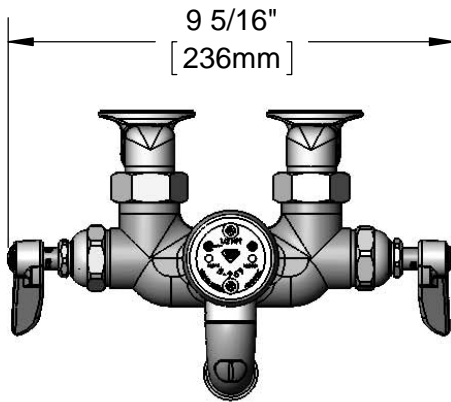
Job Name \_\_\_\_\_ Date \_\_\_\_\_

Model Specified \_\_\_\_\_ Quantity \_\_\_\_\_

Customer/Wholesaler \_\_\_\_\_

Contractor \_\_\_\_\_

Architect/Engineer \_\_\_\_\_



Inlets Adjustable from  
2 1/4" to 8 1/4" [57mm to 210mm]  
Below or Above Centerline.

3/4" Garden  
Hose Male  
Outlet

Rough Chrome  
Finish on Faucet  
Body & Spout

Eterna Cartridges w/  
Spring Checks &  
Lever Handles w/  
Color Coded Indexes

Integral  
Service Stop

B-0969  
1/2" NPT  
Atmospheric  
Vacuum  
Breaker

3 7/8"  
[98mm]

2 1/2"  
[63mm]

Ø 2" [51mm]  
Flanges w/  
1/2" NPT  
Female Inlets

1 1/16"  
[27mm]

2 3/8"  
[61mm]

3 1/16"  
[78mm]

Mounting Surface

**Product Specifications:**

Wall Mount Rough Chrome Service Sink, Eterna Cartridges w/ Spring Check, Short Spout w/ 3/4" Garden Hose Outlet, Lever Handles & 1/2" Female Inlet Adjustable Wall Flanges w/ Integral Servicet Stops

Drawn

**DHL**

Checked

**KJG**

Approved

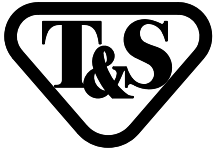
**JHB**

Scale:

**1:4**

Date:

**09/27/12**



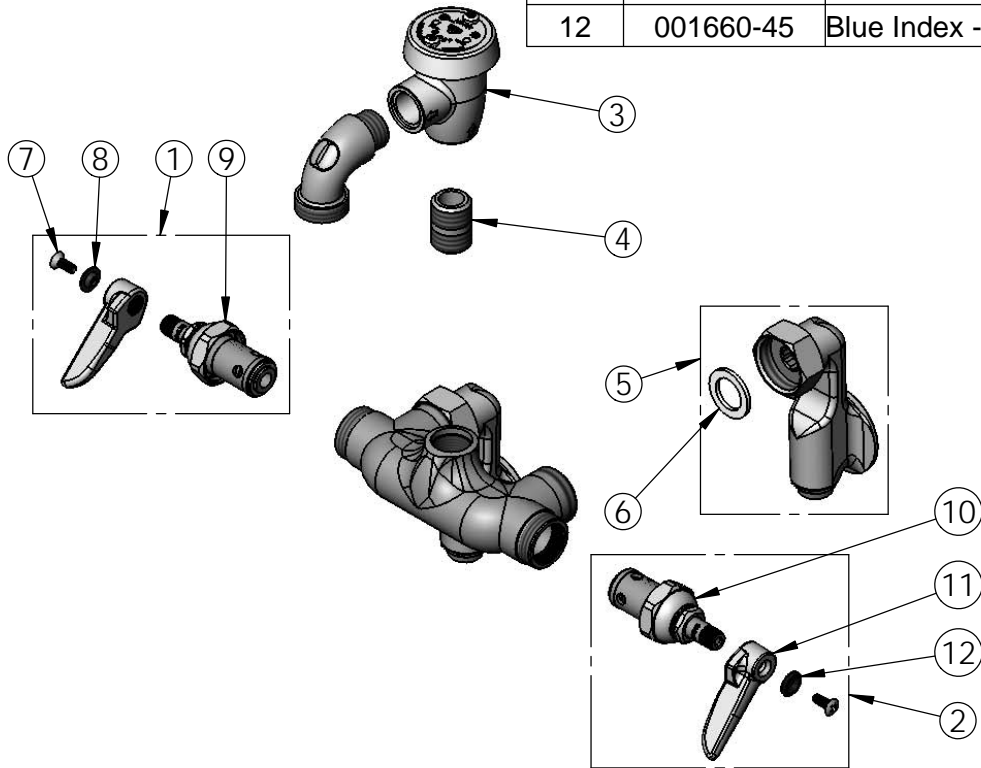
**T&S BRASS AND BRONZE WORKS, INC.**  
 2 Saddleback Cove / P.O. Box 1088  
 Travelers Rest, SC 29690

Model No.  
**B-0669-RGH**

Item No.

Travelers Rest, SC: 800-476-4103 • Simi Valley, CA: 800-423-0150 • Fax: 864-834-3518 • www.tsbrass.com

ITEM	SALES NO.	DESCRIPTION
1	002712-40	Eterna Cartridge, RTC w/ Spring Check, Lever Handle, Index & Screw
2	002711-40	Eterna Cartridge, LTC w/ Spring Check, Lever Handle, Index & Screw
3	B-0969	1/2" NPT Vacuum Breaker
4	002534-25	Close Nipple, 1/2" x 1 5/32" Lg Rough Chrome
5	00XX-RGH	Adjustable Wall Flange w/ Inlet Stops, Rough Chrome
6	001019-45	Coupling Nut Washer
7	000922-45	Lever Handle Screw
8	001661-45	Red Index - HW
9	012443-40	Eterna Cartridge, RTC w/ Spring Check
10	012442-40	Eterna Cartridge, LTC w/ Spring Check
11	001638-45	Lever Handle
12	001660-45	Blue Index - CW



Product Specifications:  
 Wall Mount Rough Chrome Service Sink, Eterna Cartridges w/ Spring Check, Short Spout w/ 3/4" Garden Hose Outlet, Lever Handles & 1/2" Female Inlet Adjustable Wall Flanges w/ Integral Servicet Stops

Drawn <b>DHL</b>	Checked <b>KJG</b>	Approved <b>JHB</b>
Scale: <b>NTS</b>		Date: <b>09/27/12</b>