



T&S BRASS AND BRONZE WORKS, INC.
 2 Saddleback Cove / P.O. Box 1088
 Travelers Rest, SC 29690

Model No.
B-0673-RGH

Item No.

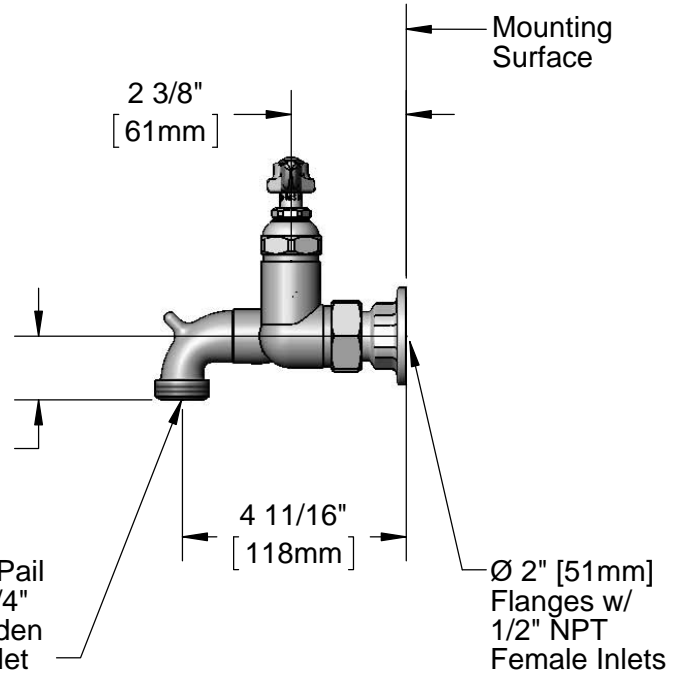
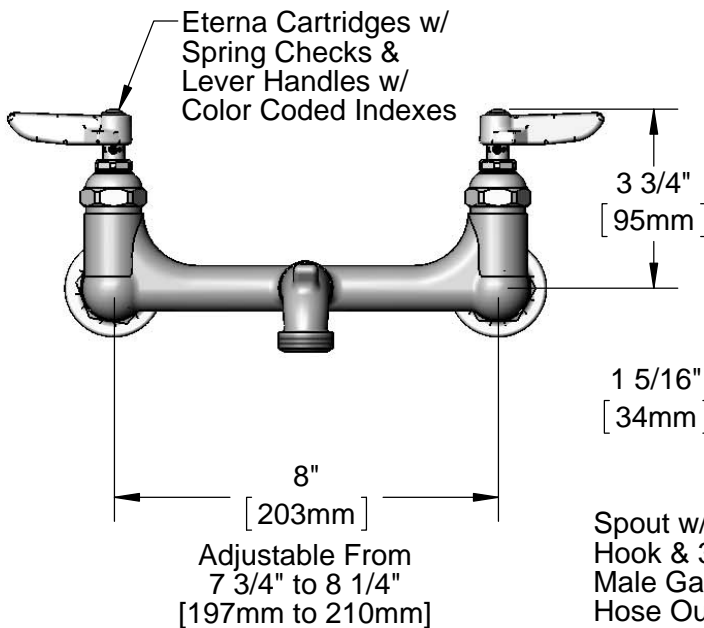
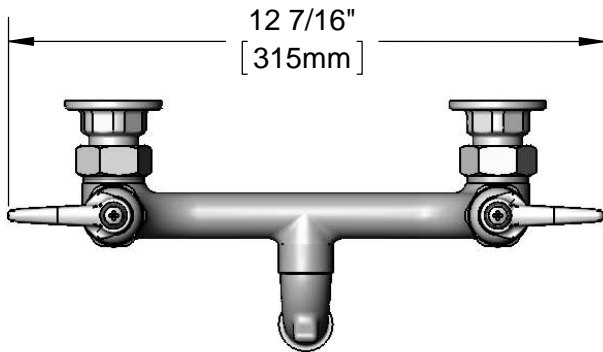
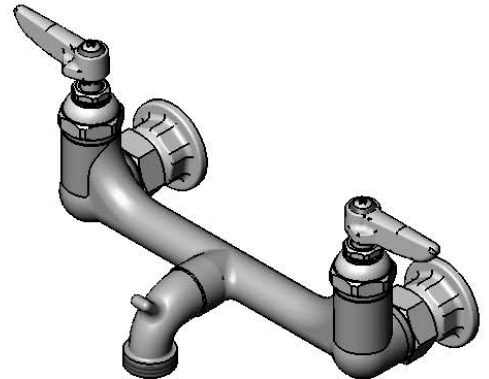
Travelers Rest, SC: 800-476-4103 • Simi Valley, CA: 800-423-0150 • Fax: 864-834-3518 • www.tsbrass.com

This Space for Architect/Engineer Approval

Job Name _____ Date _____
 Model Specified _____ Quantity _____
 Customer/Wholesaler _____
 Contractor _____
 Architect/Engineer _____



ADA Compliant



Product Specifications:
 8" Wall Mount Rough Chrome Service Sink Faucet,
 Eterna Cartridges w/ Spring Checks, 3/4" Garden Hose Outlet
 Spout w/ Pail Hook & 1/2" Female Inlets

Drawn DHL	Checked DMH	Approved JHB
Scale: 1:4		Date: 11/02/12



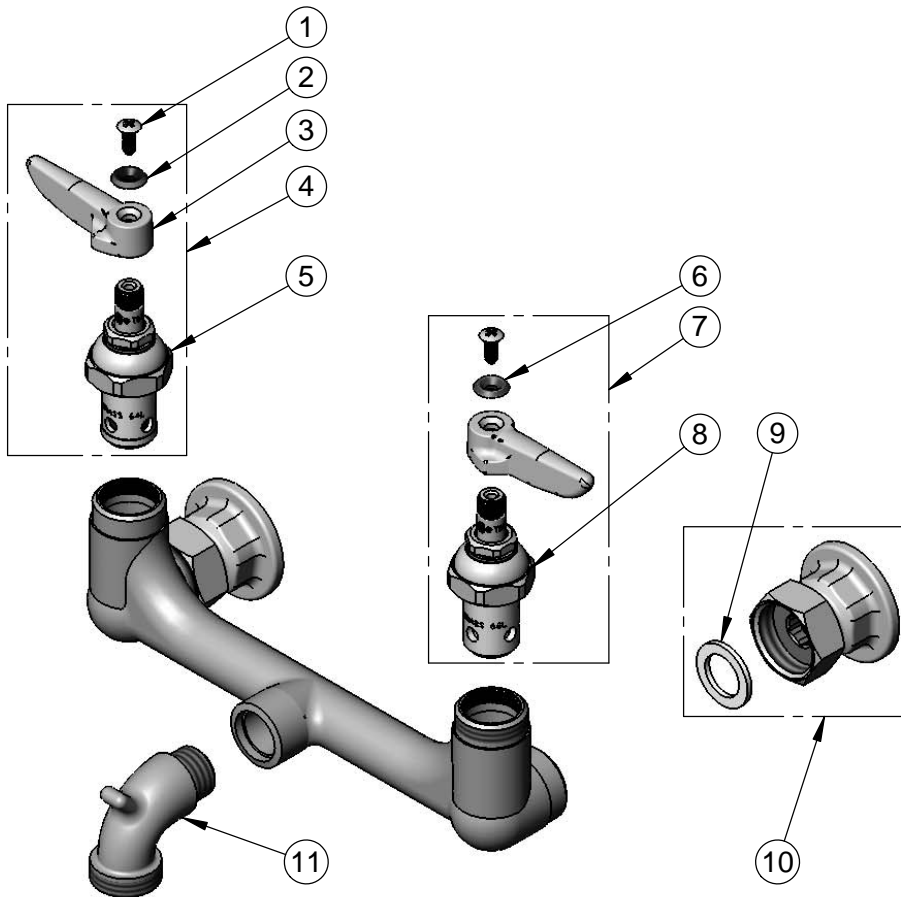
T&S BRASS AND BRONZE WORKS, INC.
 2 Saddleback Cove / P.O. Box 1088
 Travelers Rest, SC 29690

Model No.
B-0673-RGH

Item No.

Travelers Rest, SC: 800-476-4103 • Simi Valley, CA: 800-423-0150 • Fax: 864-834-3518 • www.tsbrass.com

ITEM NO.	SALES NO.	DESCRIPTION
1	000922-45	Lever Handle Screw
2	001661-45	Red Index-HW
3	001638-45	Lever Handle
4	002712-40	Eterna Cartridge, RTC w/ Spring Check, Handle, Index & Screw
5	012443-40	Eterna Cartridge, RTC w/ Spring Check
6	001660-45	Blue Index-CW
7	002711-40	Eterna Cartridge, LTC w/ Spring Check, Handle, Index & Screw
8	012442-40	Eterna Cartridge, LTC w/ Spring Check
9	001019-45	Coupling Nut Washer
10	00AA	1/2" NPT Female Eccentric Flange
11	000270-25	Spout w/ Pail Hook & 3/4" Garden Hose Outlet, Rough Chrome



Product Specifications:
 8" Wall Mount Rough Chrome Service Sink Faucet,
 Eterna Cartridges w/ Spring Checks, 3/4" Garden Hose Outlet
 Spout w/ Pail Hook & 1/2" Female Inlets

Drawn DHL	Checked DMH	Approved JHB
Scale: NTS		Date: 11/02/12