



T&S BRASS AND BRONZE WORKS, INC.

2 Saddleback Cove / P.O. Box 1088
Travelers Rest, SC 29690



REG. #A2601
ISO #9001

Model No.

B-0674-BSTR

Item No.

Travelers Rest, SC: 800-476-4103 • Simi Valley, CA: 800-423-0150 • Fax: 864-834-3518 • www.tsbrass.com

This Space for Architect/Engineer Approval

Job Name _____ Date _____

Model Specified _____ Quantity _____

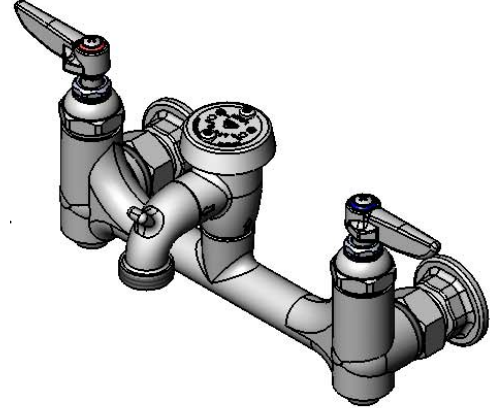
Customer/Wholesaler _____

Contractor _____

Architect/Engineer _____



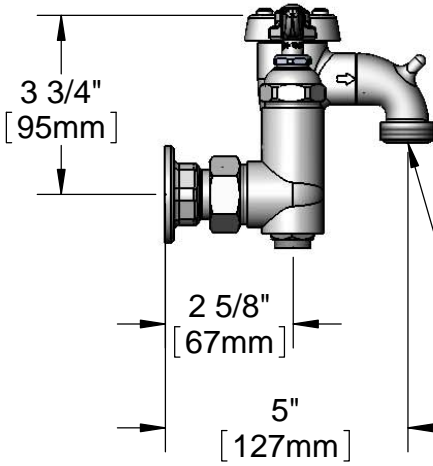
ADA Compliant



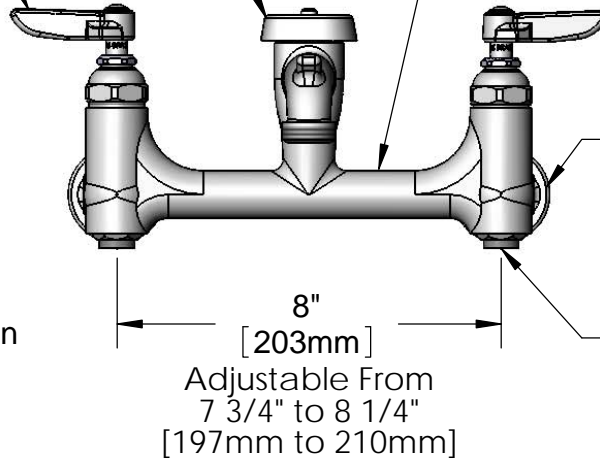
Eterna Cartridges w/
Spring Checks &
Lever Handles w/
Color Coded Indexes

B-0969
1/2" NPT
Atmospheric
Vacuum
Breaker

Rough Chrome
Finish on Faucet
Body & Spout



Male Garden
Hose
Connection



Ø 2" [51mm]
Flanges w/
1/2" NPT
Female Inlets

Integral
Service Stop

Product Specifications:
Rough Chrome Service Sink, Inlet Stops, Eterna Cartridges
w/ Spring Checks & Lever Handles

Drawn

DHL

Checked

KJG

Approved

JHB

Scale:

1:4

Date:

09/22/11



T&S BRASS AND BRONZE WORKS, INC.

2 Saddleback Cove / P.O. Box 1088
Travelers Rest, SC 29690



REG. #A2601
ISO #9001

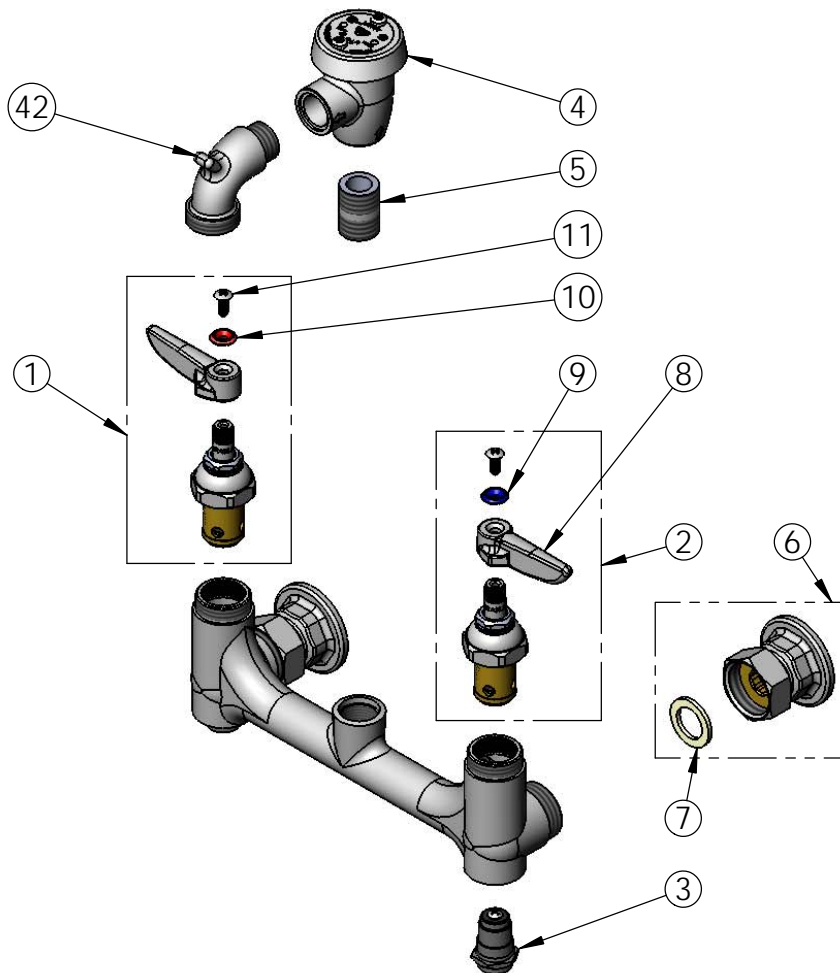
Model No.

B-0674-BSTR

Item No.

Travelers Rest, SC: 800-476-4103 • Simi Valley, CA: 800-423-0150 • Fax: 864-834-3518 • www.tsbrass.com

ITEM NO.	SALES NO.	DESCRIPTION
1	002712-40	Eterna Cartridge - RTC
2	002711-40	Eterna Cartridge - LTC
3	163A	"BST" Built-In- Stop Assembly
4	B-0969	1/2" NPT Atmospheric Vacuum Breaker
5	002534-25	Close Nipple, 1/2" NPT
6	00AA	1/2" NPT Coupling Flange
7	001019-45	Coupling Nut Washer
8	001638-45	Lever Handle
9	001660-45	Blue Index-CW
10	001661-45	Red Index-HW
11	000922-45	Lever Handle Screw
42		B-0673 Spout Casting- Rough Chrome



Product Specifications:
Rough Chrome Service Sink, Inlet Stops, Eterna Cartridges
w/ Spring Checks & Lever Handles

Drawn DHL	Checked KJG	Approved JHB
Scale: NTS		Date: 09/22/11